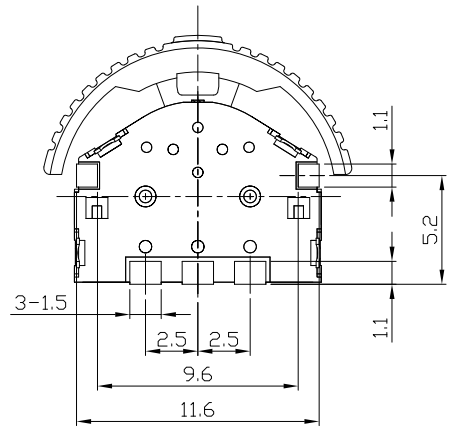
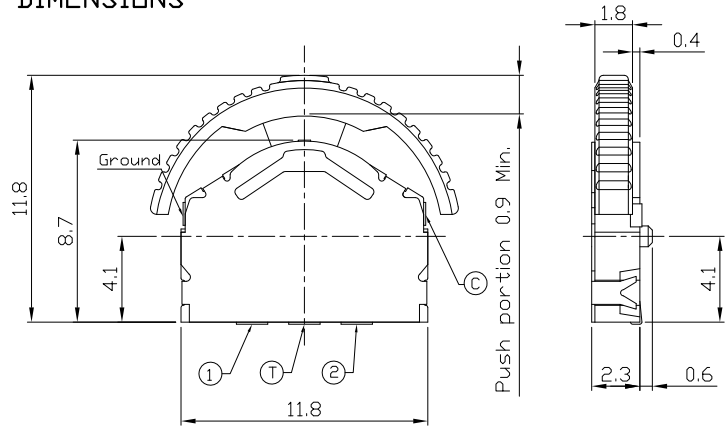




RoHS
Compliant
2002/95/EC

| REV. | ECN. | NO. | APPD. |
|------|------|-----|-------|
| | | | |
| | | | |
| | | | |

DIMENSIONS



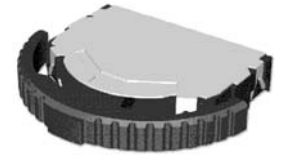
CODE TABLE

CODE TABLE (Hatched) = DND

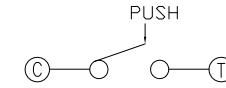
| Angle Terminal | (25)° | (18)° | 0° | (18)° | (25)° |
|----------------|---------|---------|---------|---------|---------|
| ① | Hatched | | | | |
| ② | | Hatched | | Hatched | |
| ③ | | | Hatched | | Hatched |

CCW ← → CW

PRODUCT IMAGE

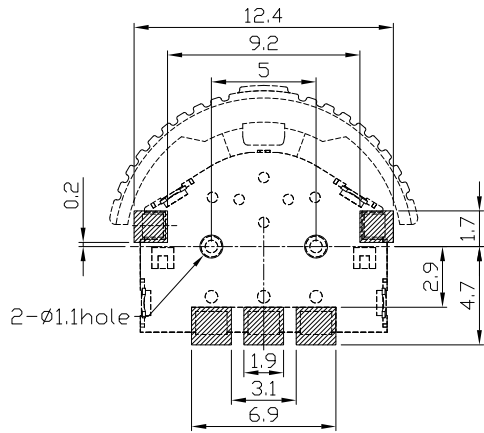
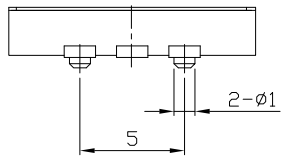


CIRCUIT DIAGRAM



P.C.B MOUNTING PATTERN DIMENSION

The following soldering patterns are recommended for reflow soldering



ELECTRO-MECHANICAL CHARACTERISTICS

Refer to additional specifications

| | | |
|------------------------|-------------------|------------|
| Rating | DC 5V 10mA | |
| Output Voltage | 1V Min. at 5V 1mA | |
| Operating Force | Lever | 70±50gf |
| | Center | 200±100gf |
| Travel | Center | 0.9mm Min. |
| Operating Life(cycles) | 100,000 | |

.X ±0.2 X. ±2°
UNITS mm
MAT'L
SEE NOTE
FINISH
SEE NOTE
Q'TY
THESE DRAWINGS AND SPECIFICATIONS ARE THE PROPERTY OF ACCURATE INNOTECH INC AND SHALL NOT BE REPRODUCED, COPIED OR USED IN ANY MANNER WITHOUT THE PRIOR WRITTEN CONSENT OF ACCURATE INNOTECH INC.

龙创中业电子(深圳)有限公司

| | |
|-----------------------------|--|
| TITLE: PUSH LEVER SWITCH | PART NO.: AL-1305 SERIES |
| DR: Ricky 2014/04/02 | DWG NO.: ASI-1305 |
| CHKD: Ricky 2014/04/02 | SCALE SHEET REV. CUSTOMER 1:1 1/1 A DRAWING |
| APPD: | |