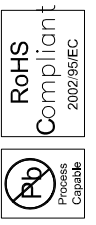
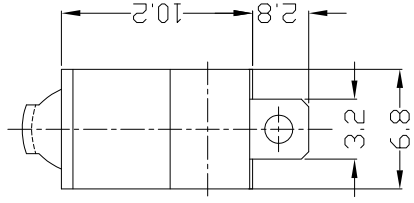
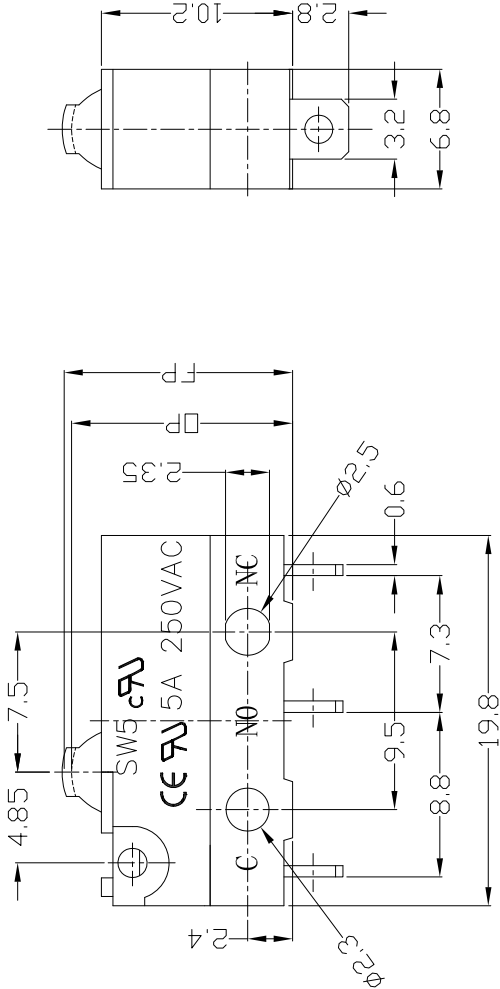


REV.	ECN.	ND.	APPD.



DIMENSIONS



1.Functional spec

1.1 Rated Voltage	250VAC
1.2 Rated Current	5A
1.3 Contact Resistance	≤100mΩ(initial value)
1.4 Operating Force	115±30gf 175±45gf 250±50gf
1.5 Free Position	12.5±0.5mm
1.6 Operating Position	11.5±0.5mm

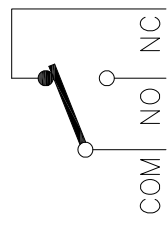
2.Reliable Rating

2.1 Mechanical Life	1,000,000 CYCLES
2.2 Electrical Life	10,000 CYCLES
2.3 Insulation Resistance	≥100MΩ DC500V
2.4 Withstand Voltage	AC1000V 1 minute
2.5 Soldering Technic	Hand Soldering
2.6 Operating Temper	-25°C ~ +80°C
2.7 Ambient Humidity Used	<85%RH

MODEL CODE

SW 5 - 00 X - XX - C5
 1 2 3 4 5 6

- 1.Series : SW
- 2.Current Rating: 5=5A 250VAC
- 3.Actuator: 00=Non-lever 01-99=Lever
- 4.Termination: see chart (N/P)
(2=SPST-NO)
- 5.Operating Force: see chart
- 6.Contact type: C5=5Amps Contact
- 7.Body type: none=6.8mm



CIRCUIT DIAGRAM

Tolerance:±0.2	UNITS mm	龙创中业电子（深圳）有限公司	
	MAT'L	TITLE: MICRO SWITCH Waterproof SW5 SERIES	PART NO: SW5-00N-XX-C5
	SEE NOTE	DR: <i>Ricky</i> 2017/3/7	DWG NO: ATD-00X-XX-C5
	FINISH	CHKD: <i>Ricky</i> 2017/3/7	SCALE SHEET REV. 1:1 1/2 A
	SEE NOTE	APPD:	CUSTOMER DRAWING
<small>THESE DRAWINGS AND SPECIFICATIONS ARE THE PROPERTY OF RONGCHUANG ELECTRONIC CO., LTD. AND SHALL NOT BE REPRODUCED, COPIED OR USED IN ANY MANNER WITHOUT THE WRITTEN CONSENT OF RONGCHUANG ELECTRONIC CO., LTD.</small>			

REV.	ECN.	NO.	APPD.

7

6

5

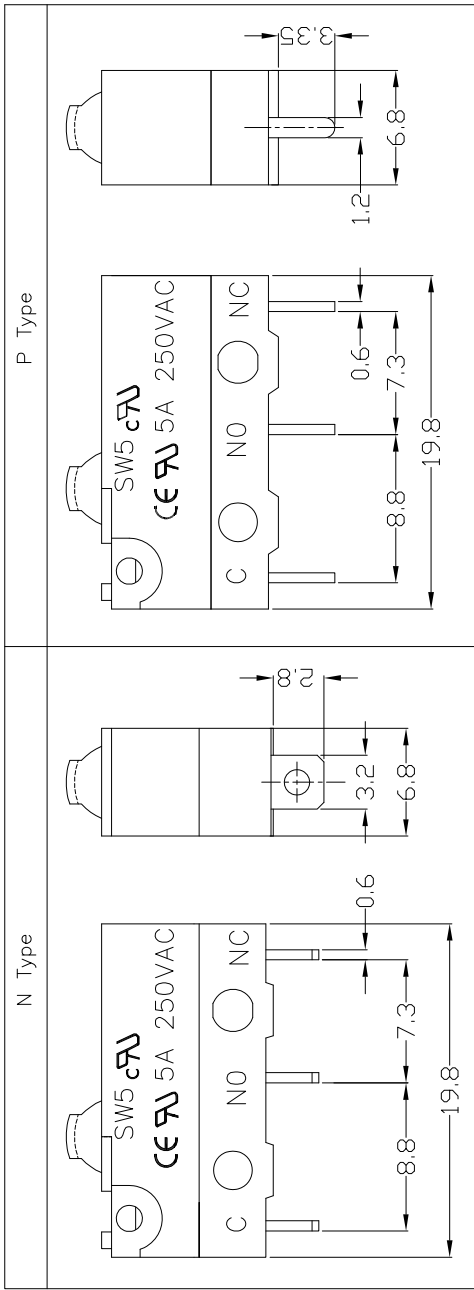
4

3

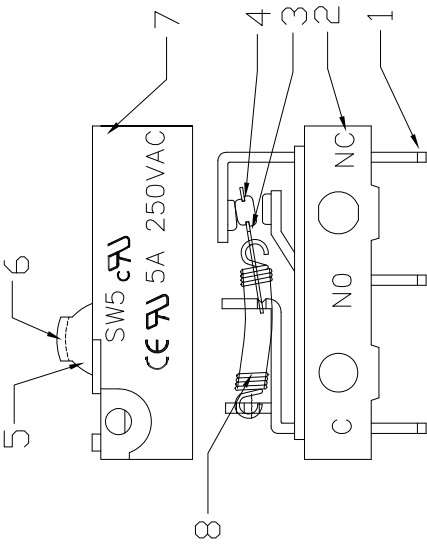
2

1

Terminal Type



Structure chart



Material list

8	Spring	SUS304	1	UNITS	Tolerance: ±0.2	mm
7	Upper Housing	Nylon	1	MAT'L		
6	Button	PBT	1	SEE NOTE		
5	Cap	RUBBER	1	FINISH		
4	Contact	Silver alloy	3	SEE NOTE		
3	Change Plate	C5210	1	Q'TY		
2	Base	Nylon	1			
1	Terminal	C2680	3			
ND.	PARTS	MATERIAL	Q'TY	FINISHING		

3. Protection class	Test conditions and technical requirement	Conclusion to determine
3.1 protection against ingress of dust $\leq 0.1\text{mm}$ (IP5X)	The switches are placed in a position of normal use inside the test chamber. The test is carried out according to the second enclosure of IEC60529-1989. The test shall be continued for a period of 8h. After testing, the switches are taken out of the chamber and left at 25±10t conditions. Load Rating: 5A 250VAC, test the temperature rise of the switches. The switches are placed in an oven which the temperature is 70±2t for 240 hours. Then the switches are taken out of the oven immediately and left at 25±10t conditions for 16 hours. After that, testing protection against ingress of water. During the testing, the temperature between the water and the samples shall not exceed 5K, and the switches have no electric current.	After test: 1. Operating is normal; 2. The temperature rise shall not exceed 50K; 3. Between terminals, terminal and surface of the crust, dielectric withstand in voltage $\geq 1000\text{V}$
3.2 protection against ingress of water (IPX1)		After test: 1. The body of the switch and the airproof cap have no transmutation, dilatation, induration; 2. The switch shall withstand the dielectric strength $\geq 1000\text{V}$ 3. There is no trace of water on insulation which could result in a reduction of creepage distances and clearances below the values specified.
3.3 reference standards and conditions	IEC60529-1989 IEC61058-1:1996 Environment condition: temperature rang 15t-35t.	

龙创中业电子（深圳）有限公司

TITLE:	MICRO SWITCH Waterproof SW5 SERIES	PART NO.:	SW5-00X-XX-C5
DR:	Ricky 2017/3/7	DWG NO.:	ATD-00X-XX-C5
CHKD:	Ricky 2017/3/7	SCALE	SHEET REV.
APPD:		1:1	2/2 A