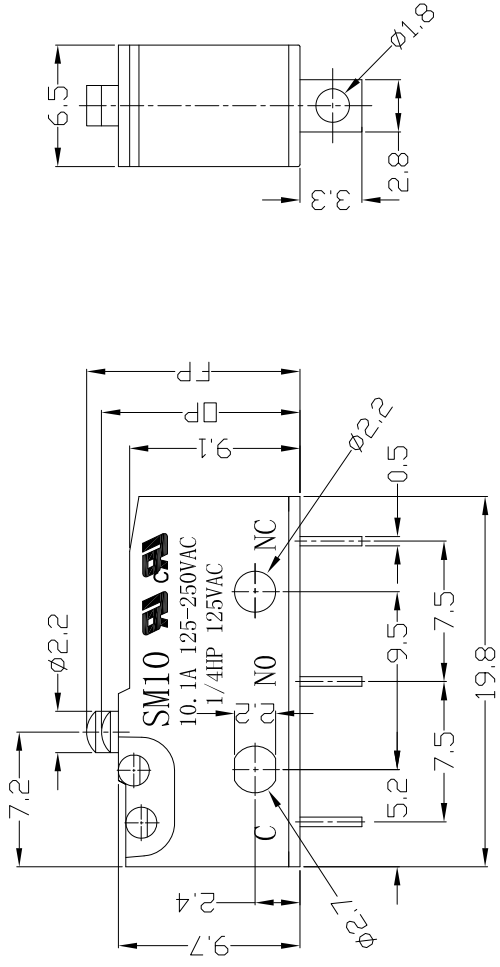




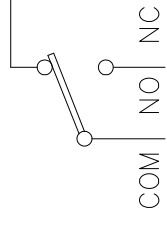
DIMENSIONS



MODEL CODE

SW 10 - 00 X - XX
 1 2 3 4 5

1. Series : SW
2. Current Rating : 10=10A 125/250VAC
3. Actuator : 00=Non-lever 01-99=Lever
4. Termination : see chart (N/P/A)
(7=SPST-NO / 3=SPST-NC)
5. Operating Force : see chart



CIRCUIT DIAGRAM

1.Functional spec

1.1 Rated Voltage(AC)	125/250VAC
1.2 Rated Current(AC)	10.1A
1.3 Contact Resistance	≤100mΩ(initial value)
1.4 Operating Force	175±45gf
1.5 Bounce Time	250±50gf
1.6 Free Position	11.4±0.5mm
1.7 Operating Position	10.8±0.5mm
1.8 Position Travel	
1.9 Return Force	

2.Reliable Rating

2.1 Mechanical Life	1,000,000 CYCLES
2.2 Electrical Life	6,000 CYCLES
2.3 Insulation Resistance	≥100MΩ DC500V
2.4 Withstand Voltage	AC1000V 1 minute
2.5 Soldering Technic	Hand Soldering
2.6 Operating Temper	-25°C ~ +75°C
2.7 Ambient Humidity Used	<85%RH

Tolerance:±0.2	UNITS mm	龙创中业电子(深圳)有限公司	PART NO: SM10-00N-XX
	MAT'L	TITLE: MICRO SWITCH SM10 SERIES	
	SEE NOTE	DR: <i>Ricky</i> 2017/4/7	DWG NO: ATD-00X-XX
	FINISH	CHKD: <i>Ricky</i> 2017/4/7	SCALE SHEET REV. 1:1 1/2 A
<small>THESE DRAWINGS AND SPECIFICATIONS ARE THE PROPERTY OF FINDERTECH, INC. AND SHALL NOT BE REPRODUCED, COPIED OR USED IN ANY MANNER WITHOUT THE PRIOR WRITTEN CONSENT OF FINDERTECH, INC.</small>		APPD:	CUSTOMER DRAWING

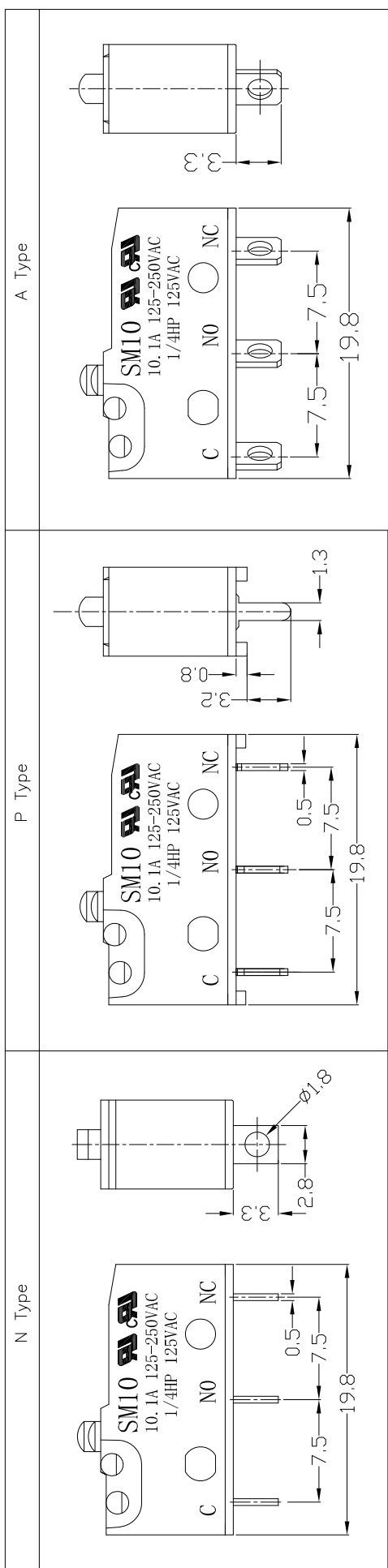
REV.	ECN.	NO.	APPD.

1 2 3 4 5 6 7

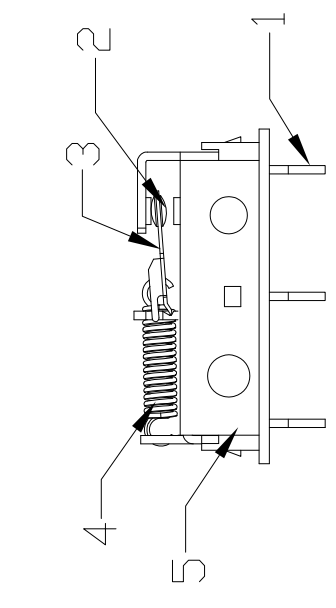


REV.	ECN. NO.	APPD.

Terminal Type



Structure chart



Material list

NO.	PARTS	MATERIAL	Q'TY	FINISHING
8	Upper Housing	PBT	1	Black
7	Button	PBT	1	Black
6	Lower Housing	PBT	1	Black
5	Spring	SUS304	1	
4	Change Plate	C5210	1	
3	Contact	Silver alloy	3	
2	Terminal	C2680	3	
1	Terminal	C2680	3	
	Q'TY	FINISHING		

Tolerance: ± 0.2	UNITS	mm
	MAT'L	
	SEE NOTE	
	FINISH	
	SEE NOTE	
	Q'TY	

THESE DRAWINGS AND SPECIFICATIONS ARE THE PROPERTY OF INTELLECTUAL PROPERTY AND SHALL NOT BE REPRODUCED OR USED IN ANY MANNER WITHOUT THE WRITTEN CONSENT OF INTELLECTUAL PROPERTY, INC.

龙创中业电子（深圳）有限公司

TITLE:	MICRO SWITCH SM10 SERIES	PART NO.:	SM10-00X-XX
DR:	Ricky 2017/4/7	DWG NO.:	ATD-00X-XX
CHKD:	Ricky 2017/4/7	SCALE	SHEET REV.
APPD:		1:1	2/2 A

CUSTOMER DRAWING