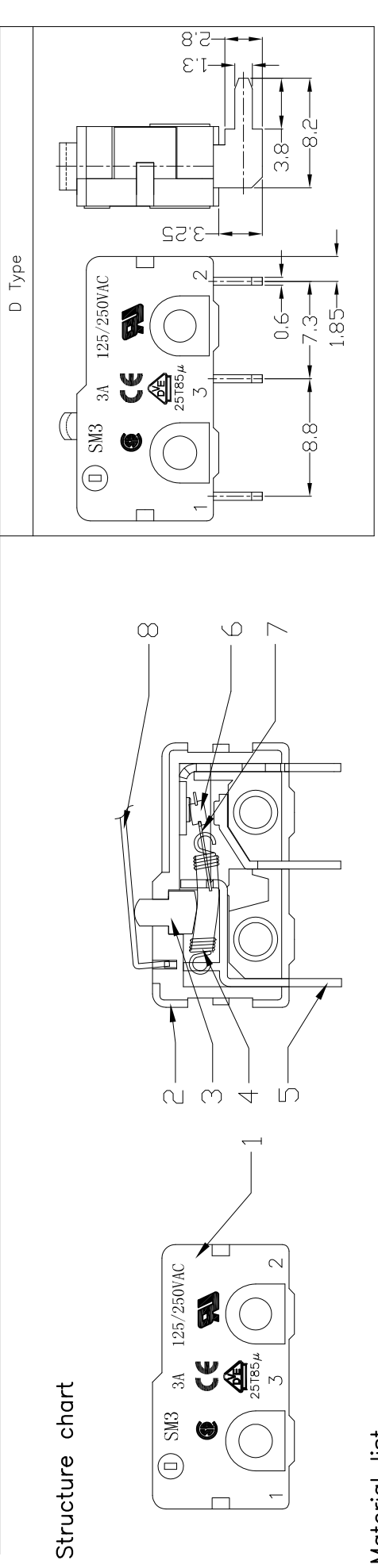
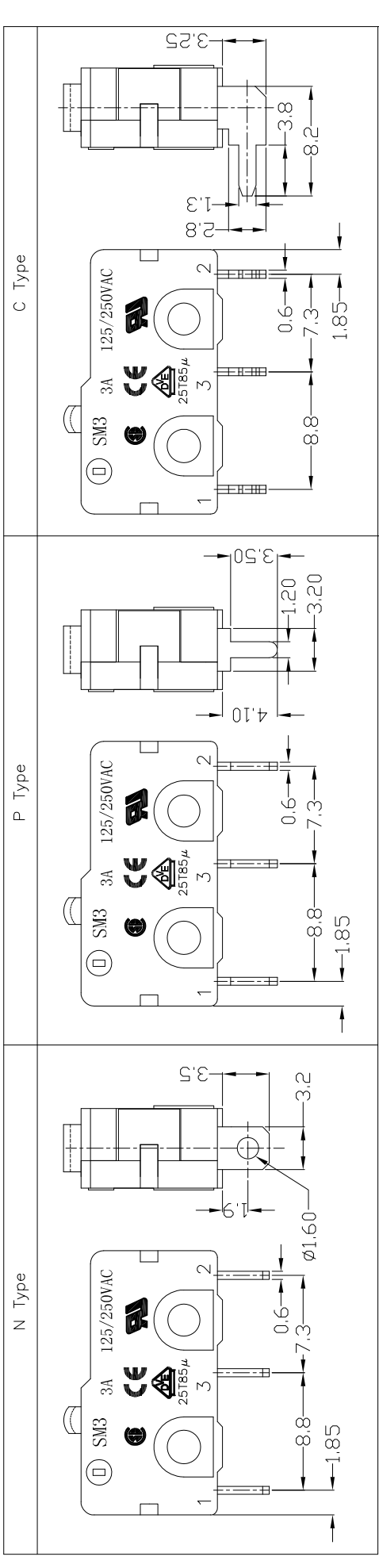


REV.	ECN. NO.	APPD.



Terminal Type



Material list

8	Lever	SUS301	1	UNITS	mm	Tolerance:±0.2
7	Change Plate	C5210	1	MAT'L	SEE NOTE	
6	Contact	Silver alloy	1	FINISH	SEE NOTE	
5	Terminal	C2680	3	Q'TY		
4	Spring	SUS304	1			
3	Button	PBT	1			
2	Lower Housing	PBT	1			
1	Upper Housing	PBT	1			
ND.	PARTS	MATERIAL	Q'TY	FINISHING		

龙创中业电子（深圳）有限公司

TITLE: MICRO SWITCH SM3 SERIES
 PART NO: SM3-05X-XXS-C31

DR: *Ricky* 2017/4/11
 DWG NO: ATD-05X-XXS-C31

CHKD: *Ricky* 2017/4/11
 SCALE SHEET REV. 1:1 2/2 A

APPD: 6

THESE DRAWINGS AND SPECIFICATIONS ARE THE PROPERTY OF RICHY ELECTRONIC INC. AND SHALL NOT BE REPRODUCED, COPIED OR USED IN ANY MANNER WITHOUT THE WRITTEN CONSENT OF RICHY ELECTRONIC INC.

