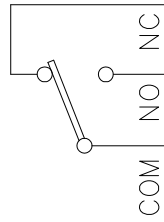
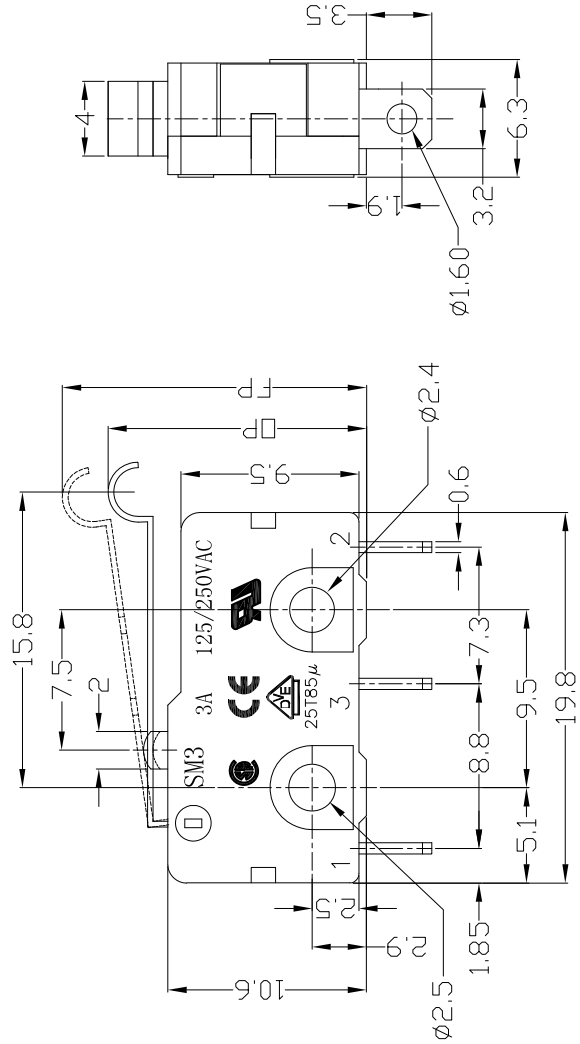


DIMENSIONS



MODEL CODE

SM 3 - 00 X - XX S - C31
 1 2 3 4 5 6 7

- 1.Series : SM
- 2.Current Rating : 3=3A 125/250VAC
- 3.Actuator : 00=Non-lever 01-99=Lever
- 4.Termination : see chart (N/P/C/D)
 (2=SPST-NO / 3=SPST-NC)
- 5.Operating Force : see chart
- 6.Spring Material:S=SUS304
- 7.Contact type: C31=3Amps Contact

CIRCUIT DIAGRAM

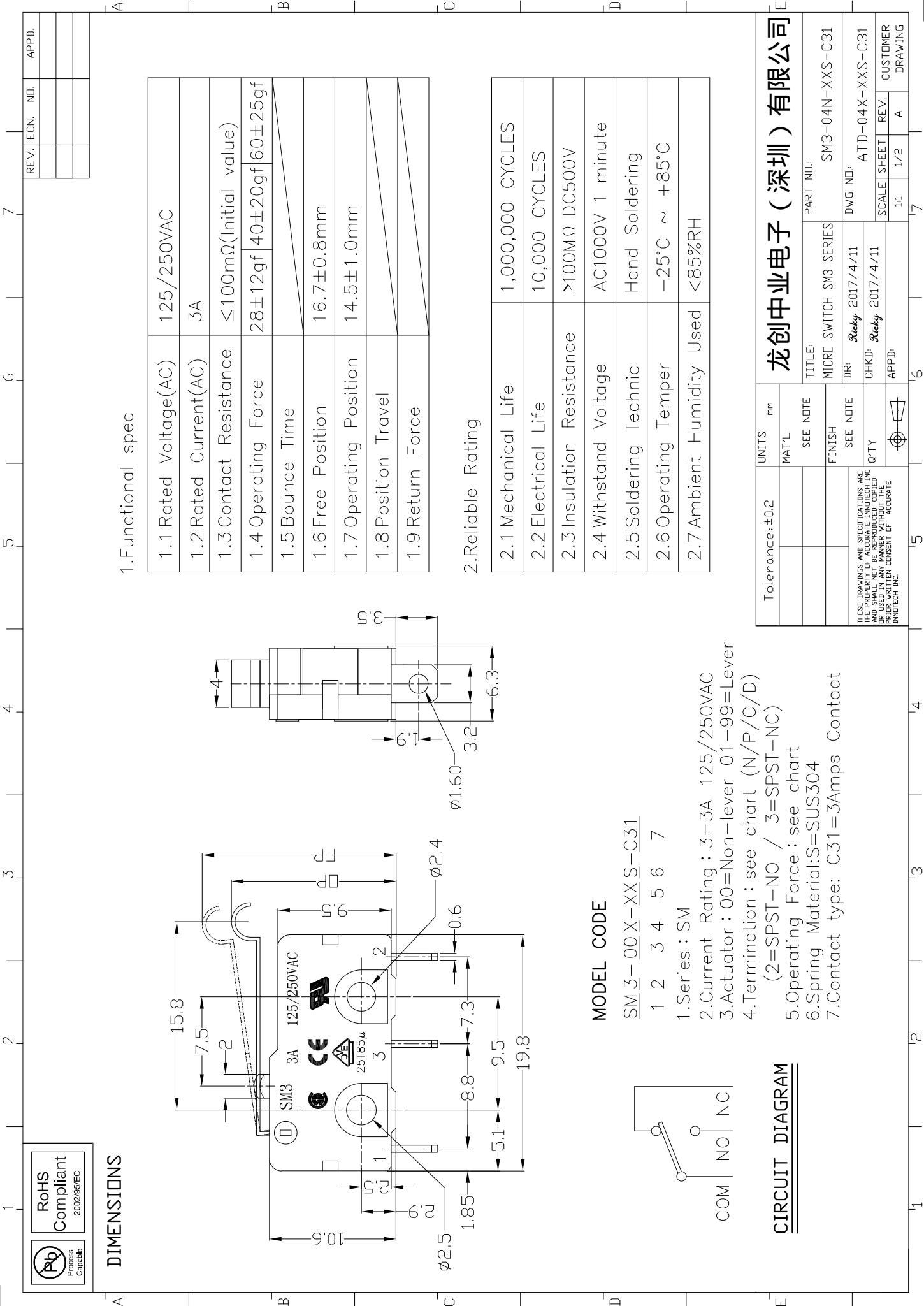
1.Functional spec

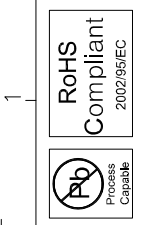
1.1 Rated Voltage(AC)	125/250VAC
1.2 Rated Current(AC)	3A
1.3 Contact Resistance	≤100mΩ(initial value)
1.4 Operating Force	28±12gf 40±20gf 60±25gf
1.5 Bounce Time	
1.6 Free Position	16.7±0.8mm
1.7 Operating Position	14.5±1.0mm
1.8 Position Travel	
1.9 Return Force	

2.Reliable Rating

2.1 Mechanical Life	1,000,000 CYCLES
2.2 Electrical Life	10,000 CYCLES
2.3 Insulation Resistance	≥100MΩ DC500V
2.4 Withstand Voltage	AC1000V 1 minute
2.5 Soldering Technic	Hand Soldering
2.6 Operating Temper	-25°C ~ +85°C
2.7 Ambient Humidity Used	<85%RH

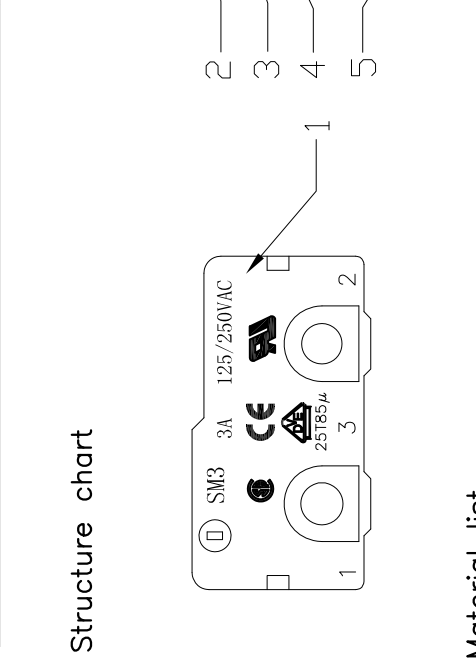
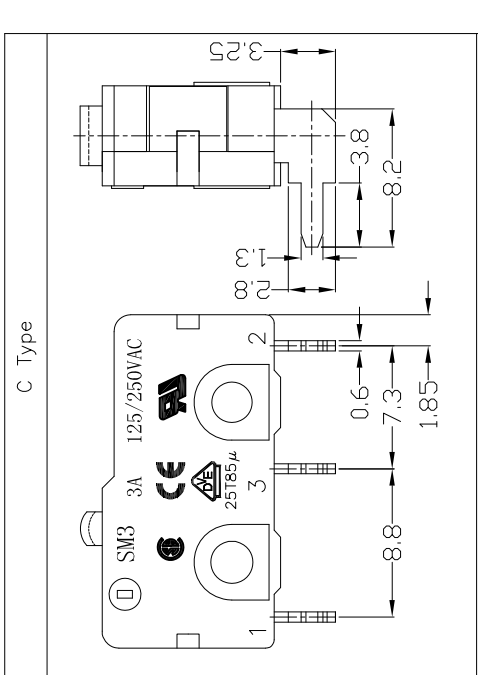
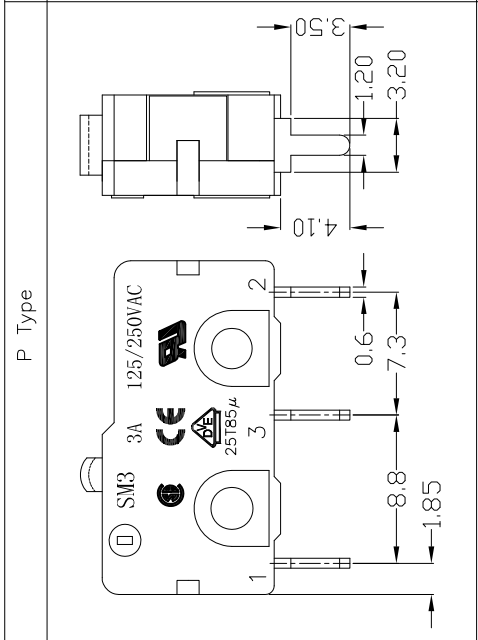
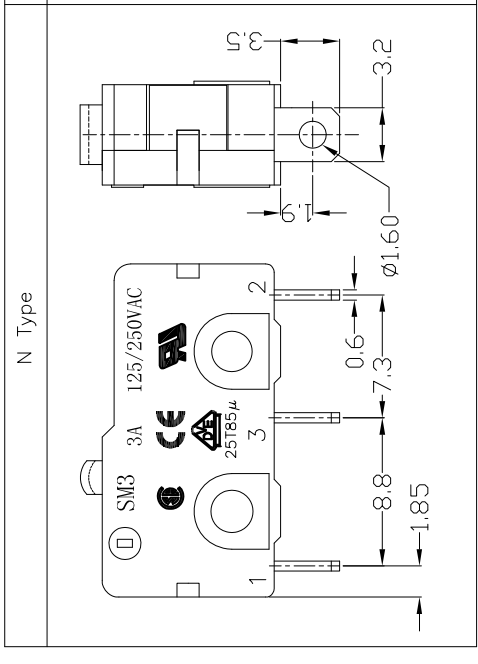
Tolerance:±0.2	UNITS	mm
	MAT'L	SEE NOTE
	FINISH	SEE NOTE
THESE DRAWINGS AND SPECIFICATIONS ARE THE PROPERTY OF RICHY INC. AND SHALL NOT BE REPRODUCED, COPIED OR USED IN ANY MANNER WITHOUT THE WRITTEN CONSENT OF RICHY INC.	Q'TY	
	APP'D:	
龙创中业电子(深圳)有限公司		
TITLE: MICRO SWITCH SM3 SERIES		
PART NO: SM3-04N-XXS-C31		DWG NO: ATD-04X-XXS-C31
DR: <i>Richy</i> 2017/4/11		SCALE: 1:1
CHKD: <i>Richy</i> 2017/4/11		SHEET: 1/2
APP'D:		REV: A
		CUSTOMER DRAWING



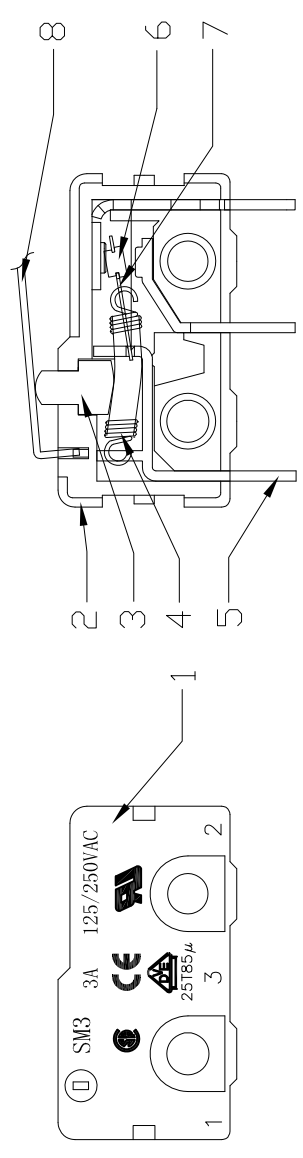


REV.	ECN.	NO.	APPD.

Terminal Type



Structure chart



Material list

8	Lever	SUS301	1
7	Change Plate	C5210	1
6	Contact	Silver alloy	1
5	Terminal	C2680	3
4	Spring	SUS304	1
3	Button	PBT	1
2	Lower Housing	PBT	1
1	Upper Housing	PBT	1
ND.	PARTS	MATERIAL	Q'TY
		FINISHING	

UNITS		mm
MAT'L	SEE NOTE	
FINISH	SEE NOTE	
Q'TY		
Tolerance:±0.2		
<small>THESE DRAWINGS AND SPECIFICATIONS ARE THE PROPERTY OF RICHY TECH, INC. AND SHALL NOT BE REPRODUCED, COPIED OR USED IN ANY MANNER WITHOUT THE WRITTEN CONSENT OF RICHY TECH, INC.</small>		

龙创中业电子 (深圳) 有限公司			
TITLE:	MICRO SWITCH SM3 SERIES	PART NO.:	SM3-04X-XXS-C31
DR:	Richy 2017/4/11	DWG NO.:	ATD-04X-XXS-C31
CHKD:	Richy 2017/4/11	SCALE	SHEET REV.
APPD:		1:1	2/2 A
CUSTOMER DRAWING			

REV.	ECN.	ND.	APPD.

7

6

5

4

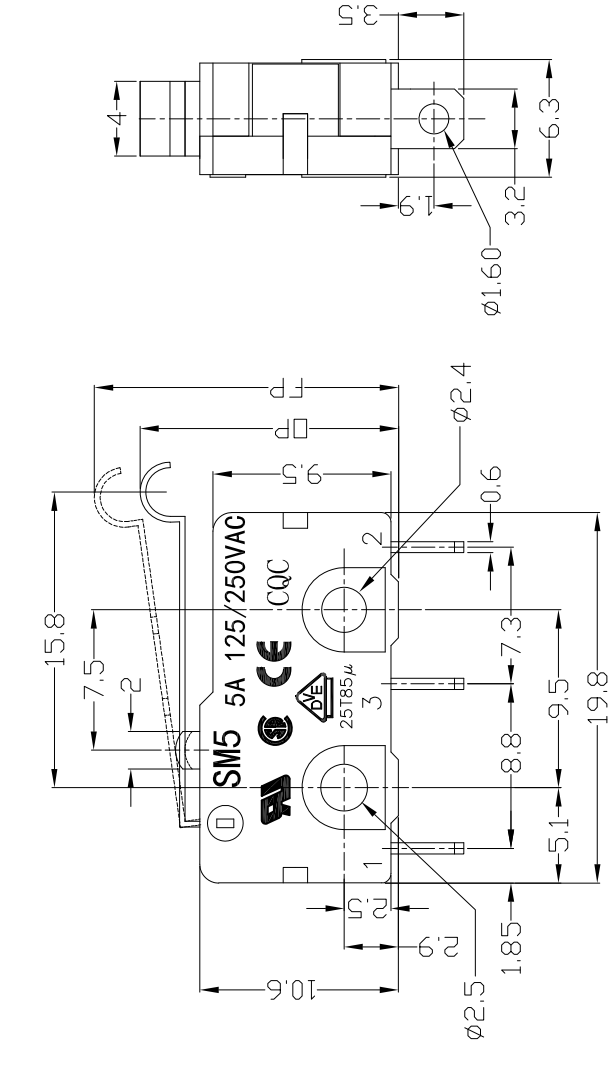
3

2

1



DIMENSIONS



1.Functional spec

1.1 Rated Voltage(AC)	125/250VAC
1.2 Rated Current(AC)	5A
1.3 Contact Resistance	≤100mΩ(initial value)
1.4 Operating Force	28±12gf 40±20gf 60±25gf
1.5 Bounce Time	
1.6 Free Position	16.7±0.8mm
1.7 Operating Position	14.5±1.0mm
1.8 Position Travel	
1.9 Return Force	

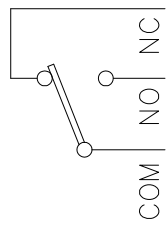
2.Reliable Rating

2.1 Mechanical Life	1,000,000 CYCLES
2.2 Electrical Life	10,000 CYCLES
2.3 Insulation Resistance	≥100MΩ DC500V
2.4 Withstand Voltage	AC1000V 1 minute
2.5 Soldering Technic	Hand Soldering
2.6 Operating Temper	-25°C ~ +85°C
2.7 Ambient Humidity Used	<85%RH

MODEL CODE

SM 5 - 00 X - XX S - C51
 1 2 3 4 5 6 7

- 1.Series : SM
- 2.Current Rating : 5=5A 125/250VAC
- 3.Actuator : 00=Non-lever 01-99=Lever
- 4.Termination : see chart (N/P/C/D/L)
(2=SPST-NO / 3=SPST-NC)
- 5.Operating Force : see chart
- 6.Spring Material:S=SUS304
- 7.Contact type: C51=5Amps Contact



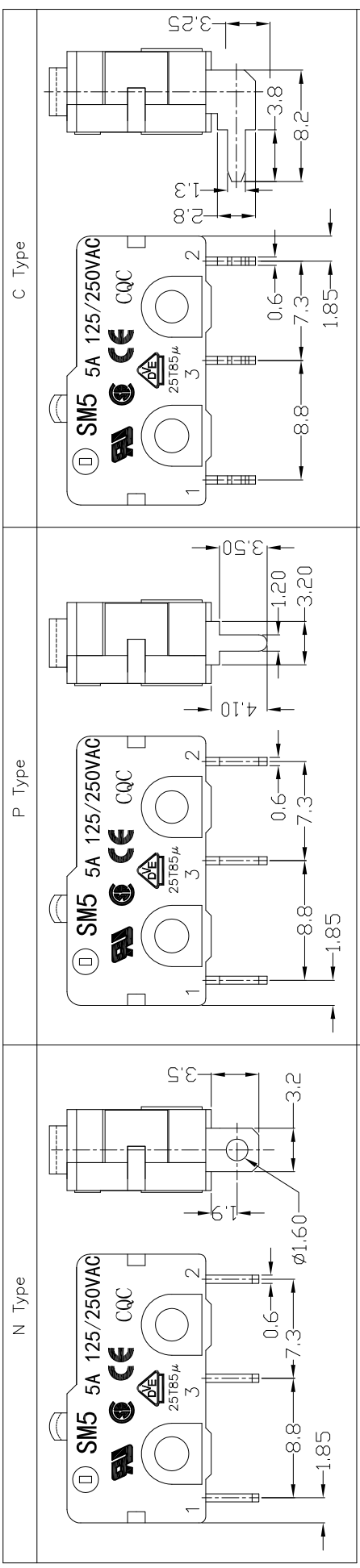
CIRCUIT DIAGRAM

Tolerance:±0.2	UNITS mm	龙创中业电子（深圳）有限公司	
	MAT'L	TITLE: MICRO SWITCH SM5 SERIES	PART NO: SM5-04N-XXS-C51
	SEE NOTE	DR: <i>Ricky</i> 2017/4/12	DWG NO: ATD-04X-XXS-C51
	FINISH	CHKD: <i>Ricky</i> 2017/4/12	SCALE SHEET REV. 1:1 1/2 A
	SEE NOTE	APPD:	CUSTOMER DRAWING
<small>THESE DRAWINGS AND SPECIFICATIONS ARE THE PROPERTY OF RICHY ELECTRONIC INC. AND SHALL NOT BE REPRODUCED, COPIED OR USED IN ANY MANNER WITHOUT THE PRIOR WRITTEN CONSENT OF RICHY ELECTRONIC INC.</small>			

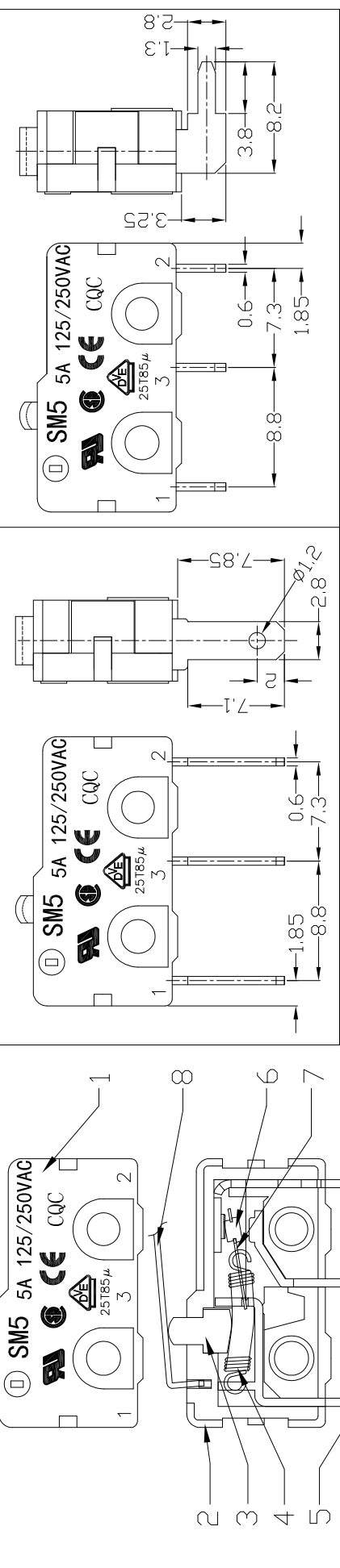
7 6 5 4 3 2 1



Terminal Type



Structure chart



Material list

NO.	PARTS	MATERIAL	Q'TY	FINISHING	4	5	6	7
8	Lever	SUS301	1					
7	Change Plate	C5210	1					
6	Contact	Silver alloy	3					
5	Terminal	C2680	3					
4	Spring	SUS304	1					
3	Button	PBT	1					
2	Lower Housing	PBT	1					
1	Upper Housing	PBT	1					
ND.	PARTS	MATERIAL	Q'TY	FINISHING	4	5	6	7

龙创中业电子（深圳）有限公司

TITLE:	MICRO SWITCH SM5 SERIES	PART NO.:	SM5-04X-XXS-C51
DR:	Ricky 2017/4/12	DWG NO.:	ATD-04X-XXS-C51
CHKD:	Ricky 2017/4/12	SCALE	SHEET REV.
APPD:		1:1	2/2 A

THESE DRAWINGS AND SPECIFICATIONS ARE THE PROPERTY OF RICHY ELECTRONIC INC. AND SHALL NOT BE REPRODUCED, COPIED OR USED IN ANY MANNER WITHOUT THE PRIOR WRITTEN CONSENT OF RICHY ELECTRONIC INC.