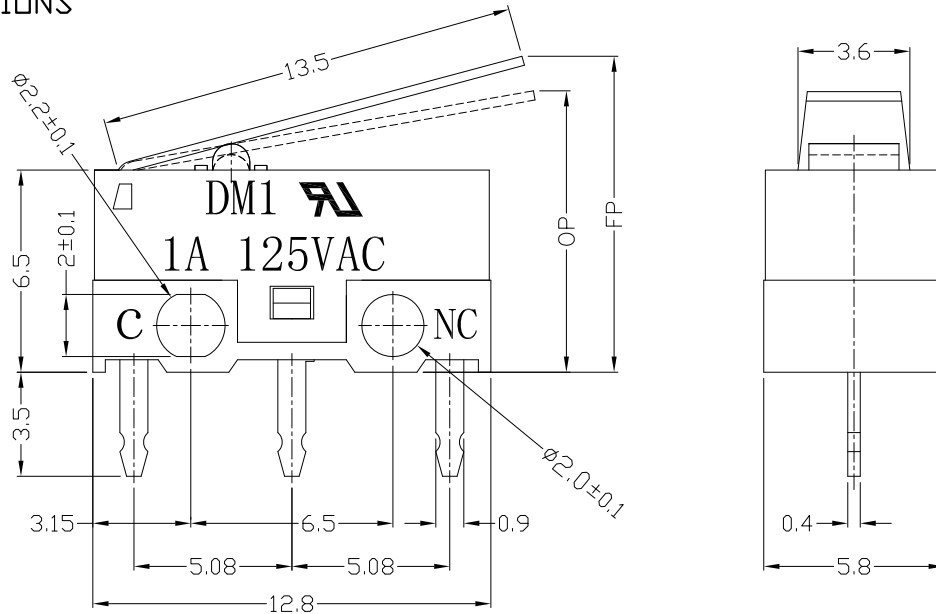




RoHS
Compliant
2002/95/EC

REV.	ECN. NO.	APPD.

DIMENSIONS



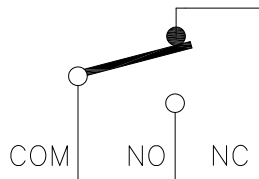
1.Functional spec

1.1 Rated Voltage	125VAC/DC5V
1.2 Rated Current	1A/30mA
1.3 Contact Resistance	$\leq 100\text{m}\Omega$ (Initial value)
1.4 Operating Force	30(20~50gf) $40 \pm 20\text{gf}$
1.5 Bounce Time	
1.6 Free Position	$10.4 \pm 0.8\text{mm}$
1.7 Operating Position	$8.8 \pm 0.8\text{mm}$
1.8 Position Travel	
1.9 Return Force	

MODEL CODE

DM 1 - 01 X - XX - 3
1 2 3 4 5 6

- Series : DM
- Current Rating : 1=1A 125VAC ; 30mA DC5V
- Actuator : 00=non-lever 01-99=Lever
- Termination : see chart (P/C/D/T/N)
- Operating Force : see chart
- Button colour : 3=white
- Cover type : No-0=have two lines



CIRCUIT DIAGRAM

2.Reliable Rating

2.1 Mechanical Life	1,000,000 CYCLES
2.2 Electrical Life	10,000 CYCLES
2.3 Insulation Resistance	$\geq 100\text{M}\Omega$ DC500V
2.4 Withstand Voltage	AC500V 1 minute
2.5 Soldering Technic	Hand Soldering
2.6 Operating Temper	$-25^{\circ}\text{C} \sim +65^{\circ}\text{C}$
2.7 Ambient Humidity Used	$< 85\% \text{RH}$

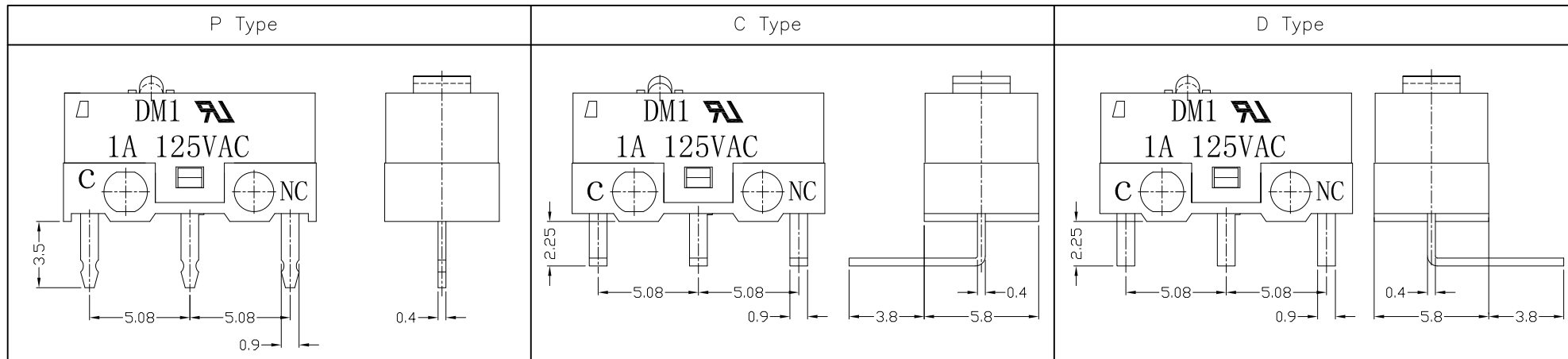
Tolerance: ± 0.2	UNITS mm	龙创中业电子(深圳)有限公司			
	MAT'L SEE NOTE	TITLE: MICRO SWITCH DM SERIES	PART NO.: DM1-01P-XX-3		
	FINISH SEE NOTE	DR: <i>Ricky</i> 2017/2/16	DWG NO.: ATD-01X-XX-3		
	Q'TY	CHKD: <i>Ricky</i> 2017/2/16	SCALE	SHEET	REV.
THESE DRAWINGS AND SPECIFICATIONS ARE THE PROPERTY OF ACCURATE INNOTECH INC AND SHALL NOT BE REPRODUCED, COPIED OR USED IN ANY MANNER WITHOUT THE PRIOR WRITTEN CONSENT OF ACCURATE INNOTECH INC.		APPD:	1:1	1/2	A
			CUSTOMER DRAWING		



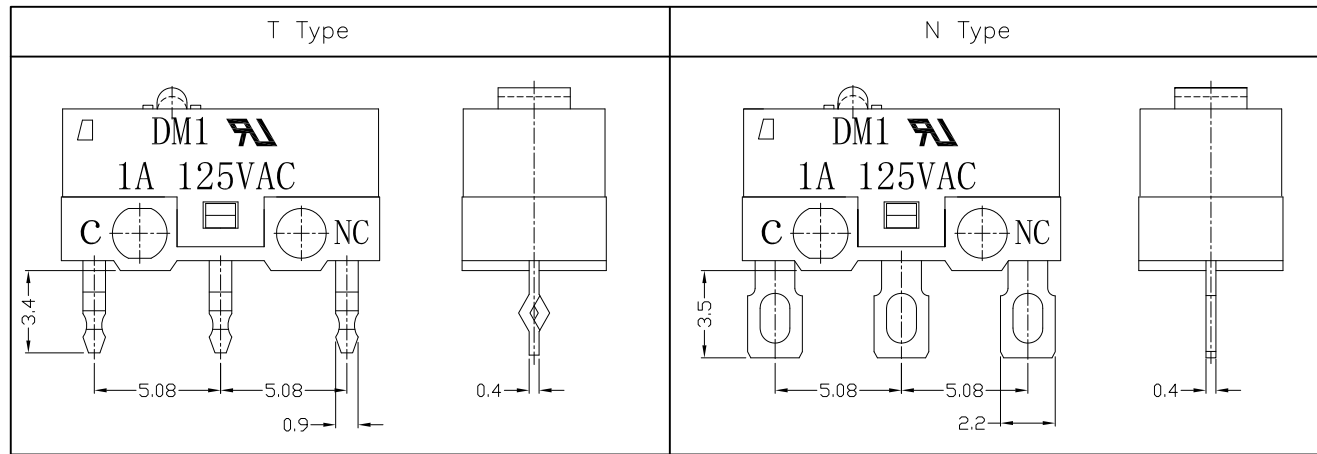
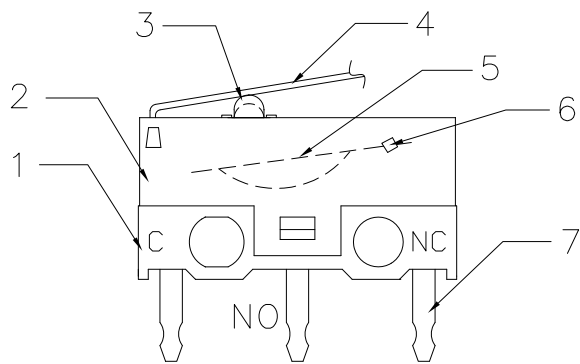
RoHS
Compliant
2002/95/EC

REV.	ECN.	NO.	APPD.

Terminal Type



Structure chart



Material list

NO.	PARTS	MATERIAL	Q'TY	FINISHING
8				
7	Terminal	C2680	3	
6	Contact	Silver alloy	1	
5	Spring Plate	C1720	1	
4	Lever	SUS301	1	
3	Button	PBT	1	WHITE
2	Case	PBT	1	BLACK
1	Base	PBT	1	WHITE

Tolerance: ±0.2

UNITS mm

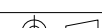
MAT'L

SEE NOTE

FINISH

SEE NOTE

Q'TY



THESE DRAWINGS AND SPECIFICATIONS ARE THE PROPERTY OF ACCURATE INNOVATECH INC AND SHALL NOT BE REPRODUCED, COPIED OR USED IN ANY MANNER WITHOUT THE PRIOR WRITTEN CONSENT OF ACCURATE INNOVATECH INC.

龙创中业电子(深圳)有限公司

TITLE: MICRO SWITCH DM SERIES

PART NO.: DM1-01X-XX-3

DR: Ricky 2017/2/16

DWG NO.: ATD-01X-XX-3

CHKD: Ricky 2017/2/16

APPD:

SCALE	SHEET	REV.	CUSTOMER DRAWING
1:1	2/2	A	