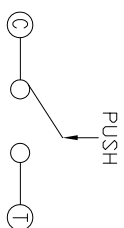
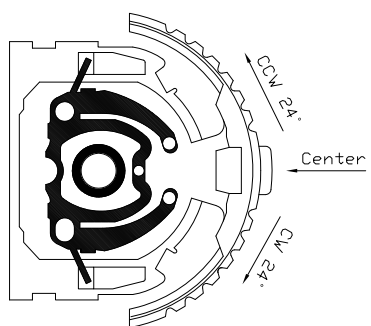
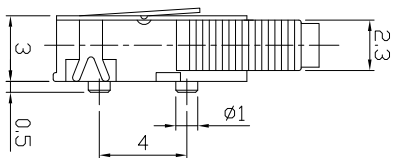
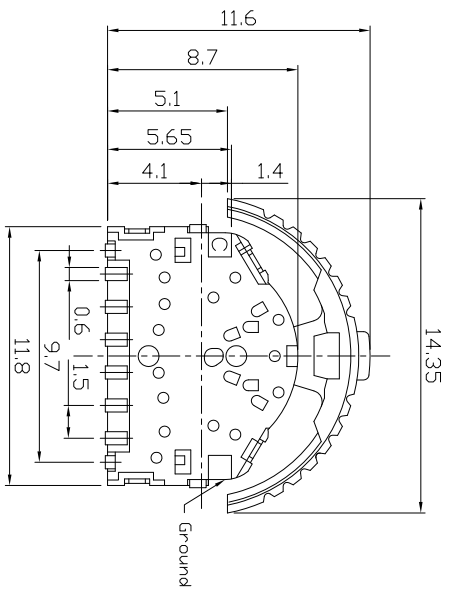




RoHS
Compliant
2002/95/EC

DIMENSIONS



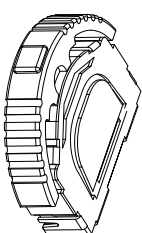
CODE TABLE

Terminal	Angle	Terminal	Angle
1	25° (24°)	1	25° (24°)
2	(11°)	2	(11°)
3		3	
4		4	
5		5	

CODE TABLE (/ = DN)

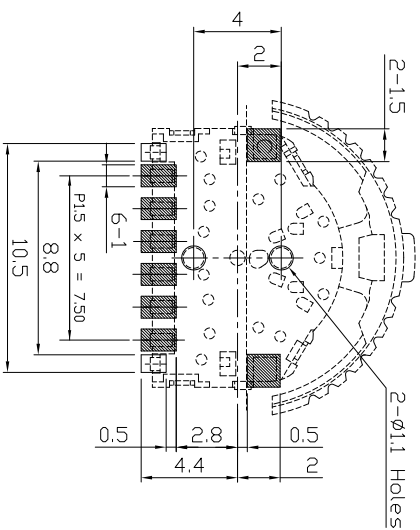
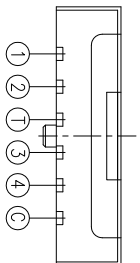
CIRCUIT DIAGRAM

PRODUCT IMAGE



P.C.B MOUNTING PATTERN DIMENSION

The following soldering patterns are recommended for reflow soldering



ELECTRO-MECHANICAL CHARACTERISTICS

Refer to additional specifications

Rating	DC 5V 10mA
Output Voltage	1V Min. at 5V 1mA
Operating Force	Lever 70±50gf
	Center 200±100gf
Travel	Lever 25°
	Center 0.7mm
Operating Life(cycles)	100,000

E

X. ±0.2	X. ±2'
UNITS	mm
MAT'L	SEE NOTE
FINISH	SEE NOTE
Q'TY	

DONGGUAN MINGJU ELECTRONICS CO.,LTD

TITLE: **PUSH LEVER SWITCH**
PART NO.: **AL-1512 SERIES**

DR: *Rocky* 2014/04/02
CHKD: *Rocky* 2014/04/02
APPD: *Rocky* 2014/04/02
SCALE: 1:1
SHEET: 1/1
REV: A
CUSTOMER DRAWING

1

2

3

4

5

6

7

E

REV.	ECN.	NO.	APPD.