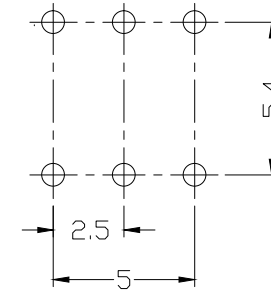
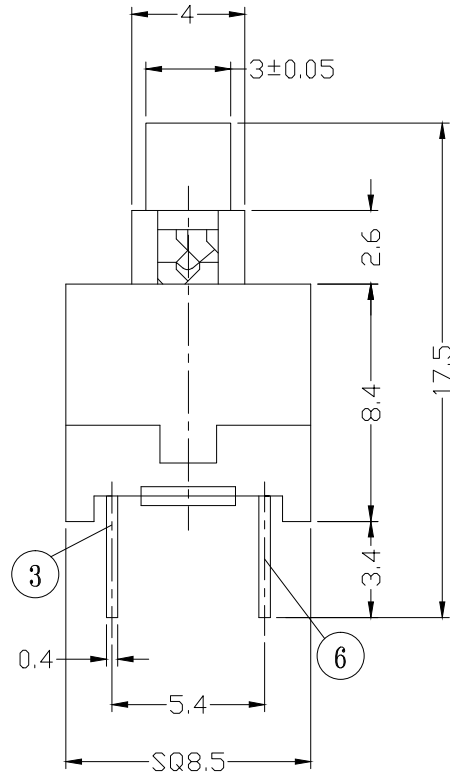
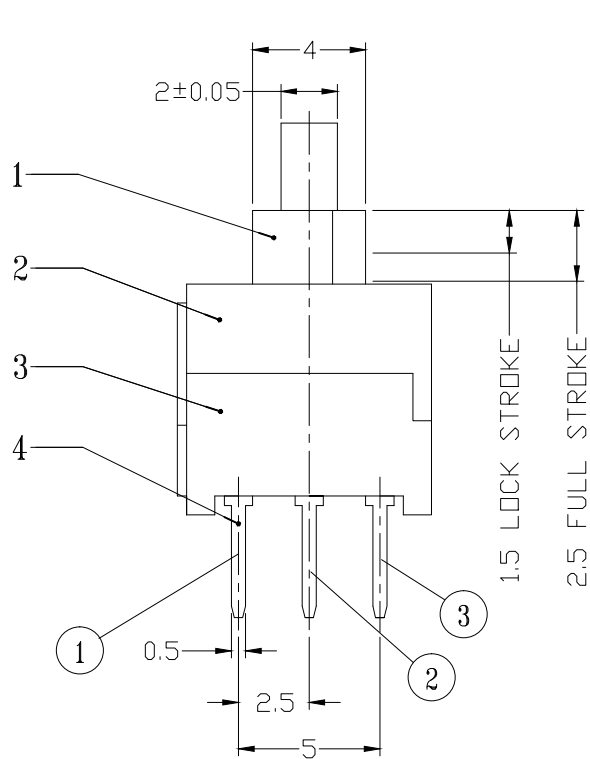




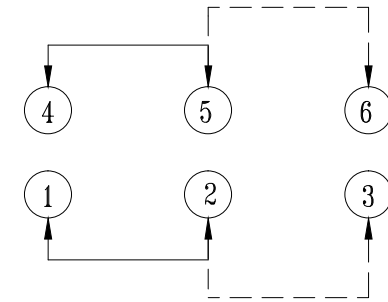
RoHS  
Compliant  
200295EC

REV.	ECN.	NO.	APPD.

# DIMENSIONS



P.C.B LAYOUT



CIRCUIT DIAGRAM

## ELECTRO-MECHANICAL CHARACTERISTICS

Refer to additional specifications

RATING	DC30V 0.1A	
CIRCUIT	2P2T	
CONTACT RESISTANCE	50mΩ MAX.	
TIMING	NON-SHORTING	
OPERATING MODE	SELF-LOCK	AP-2214L
	NON-LOCK	AP-2214N
STROKE	<b>FULL 2.5±0.2mm</b>	<b>LOCK 1.5mm</b>
OPERATING FORCE	80±30gf	120±30gf
	200±100gf	300±100gf
OPERATING LIFE(cycles)	10,000	

NO	PARTS	MATERIAL	QTY	FINISHING
7	CAMSTICK	SUS	1	NATURAL
6	CONTACT CLIP	PBS C5210R-EH	2	Ag CLAD
5	SPRING	SUS	1	NATURAL
4	TERMINAL	PBT+F.G/BRASS STRIP	2	<b>BLACK/Ag PLATED OVER Ni PLATED</b>
3	CASE	PBT	1	BLACK
2	COVER	POM	1	BLACK
1	KNOB	POM	1	WHITE/BLUE

WITHIN 1.5mm: ±0.1mm	UNITS mm
OVER 1.5mm: ±0.2mm	MAT'L
	SEE NOTE
	FINISH
	SEE NOTE
	Q'TY

THESE DRAWINGS AND SPECIFICATIONS ARE THE PROPERTY OF ACCURATE INNOTECH INC AND SHALL NOT BE REPRODUCED, COPIED OR USED IN ANY MANNER WITHOUT THE PRIOR WRITTEN CONSENT OF ACCURATE INNOTECH INC.

DONGGUAN MINGJU ELECTRONICS CO.,LTD				
TITLE: PUSHSWITCHVERTICAL		PART NO.: AP-2214L & AP-2214N		
DR: <i>Ricky</i> 2015/03/25		DWG NO.: ADJ-2214		
CHKD: <i>Ricky</i> 2015/03/25		SCALE	SHEET	REV.
APPD:		3:1	1/1	A
		CUSTOMER DRAWING		

