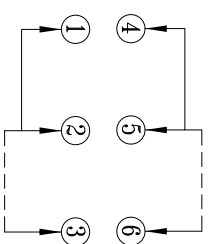
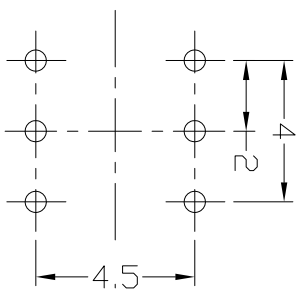
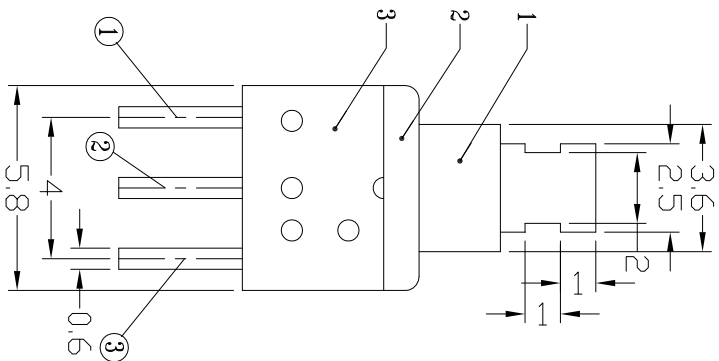
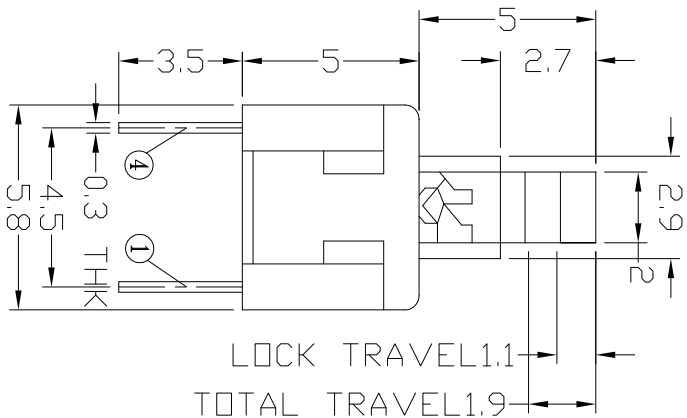




RoHS
Compliant
2002/95/EC

DIMENSIONS



P.C.B LAYOUT
TOP VIEW

CIRCUIT DIAGRAM

ELECTRO-MECHANICAL CHARACTERISTICS

Refer to additional specifications

RATING	DC12V 0.1A
CIRCUIT	2P2T
CONTACT RESISTANCE	70mΩ MAX.
TIMING	NDN-SHORTING
OPERATING MODE	SELF-LDCK AP-2216L NDN-LDCK AP-2216N
STROKE	FULL 1.9mm LDCK 1.1mm
OPERATING FORCE	150±50gf
OPERATING LIFE(cycles)	10,000

DONGGUAN MINGJU ELECTRONICS CO.,LTD

NO.	PARTS	MATERIAL	QTY	FINISHING	UNITS	mm	REMARKS
6	CAM STICK	STEEL WIRE	1	WASHING	WITHIN 1.5mm: ±0.1mm		
5	SPRING	STEEL WIRE	1	TEMPER	OVER 1.5mm: ±0.2mm		
4	CASE	NYLON+F.G./BRASS STRIP	1	GREY/Ag PLATED OVER Ni PLATED			
3	COVER	POM	1	BLACK			
2	KNDB	POM/PBS CS210R-EH	1	WHITE/Ag CLAD			
1	PARTS						

WITHIN 1.5mm: ±0.1mm
OVER 1.5mm: ±0.2mm

UNITS: mm
MATERIAL: SEE NOTE
FINISH: SEE NOTE
QTY: SEE NOTE

DR: *Stacy* 2015/03/23
CHKD: *Stacy* 2015/03/23
APPD:

DWG NO.: AP-2216L & AP-2216N
SCALE: 5:1
SHEET: 1/1
REV. A
CUSTOMER DRAWING

REV.	ECN.	NO.	APPD.