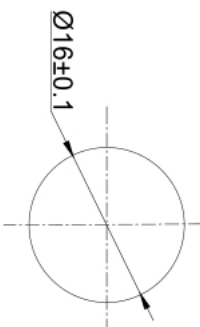
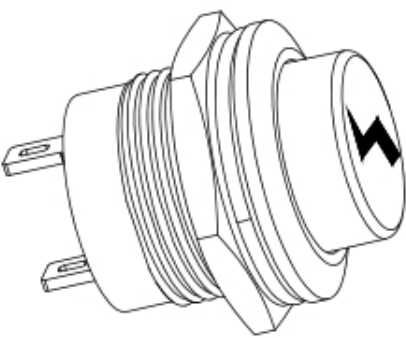
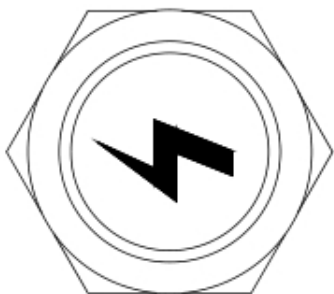




RoHS Compliant
2002/95/EC

DIMENSIONS



Panel Thickness: 3mm MAX.

CUT-OUT

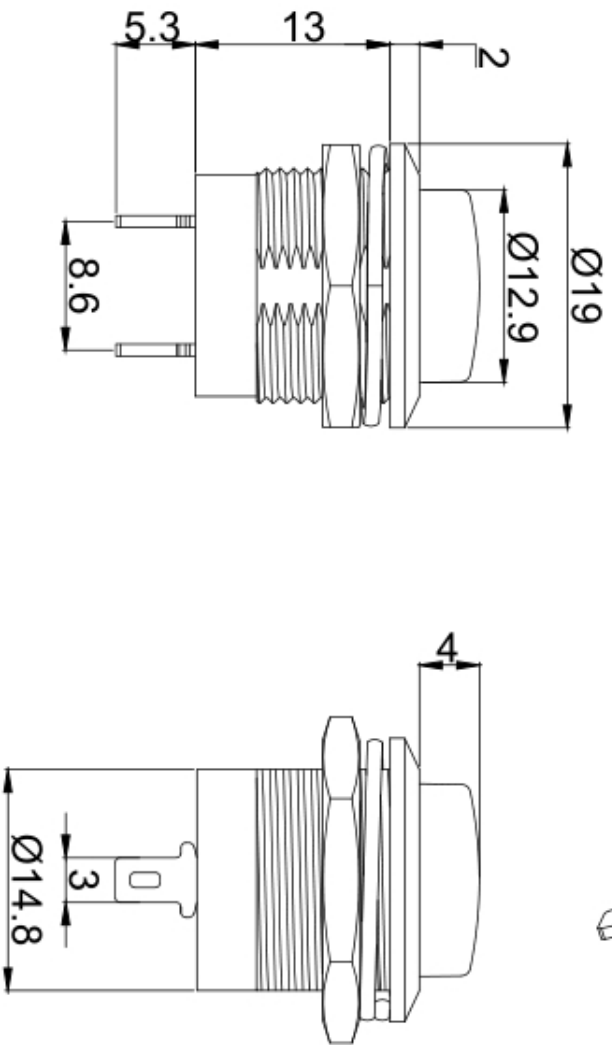


SWITCHING CIRCUIT

ELECTRO-MECHANICAL CHARACTERISTICS

Refer to additional specifications

RATING	6A 150VAC 3A 250VAC
CIRCUIT	
CONTACT RESISTANCE	100mΩ MAX.
TIMING	NON-SHORTING
OPERATING MODE	SELF-LOCK
STROKE	2.4mm
OPERATING FORCE	200 ± 50gf
OPERATING LIFE(cycles)	10000 IP65



9	CONTACT CLIP	PBS STRIP	2	AQ PLATED
8	TERMINAL	BRASS STRIP	6	AQ PLATED
7	BASE	PHENOLIC RESIN	1	NATURAL
6	FRAME	STEEL STRIP	1	N: PLATED
5	SPRING PLATE	PBS STRIP	1	NATURAL
4	CAM STICK	PBS WIRE	1	NATURAL
3	SPRING	STEEL WIRE	1	N: PLATED
2	BLOCK	STEEL STRIP	1	N: PLATED
1	KNDB	PA66	1	BLACK
ND1	PARTS	MATERIAL	Q'TY	FINISHING

WITHIN 1.5mm±0.1mm
OVER 1.5mm±0.2mm

UNITS mm
MATERIAL
SEE NOTE

DONGGUAN MINGJU ELECTRONICS CO.,LTD
TITLE: PUSH SWITCH / HORIZONTAL
PART NO.: **PB02**

THESE DRAWINGS AND SPECIFICATIONS ARE THE PROPERTY OF ACCURATE INNOTECH INC AND SHALL NOT BE REPRODUCED, COPIED AND/OR TRANSMITTED IN ANY FORM OR BY ANY MEANS WITHOUT THE WRITTEN CONSENT OF ACCURATE INNOTECH INC.

DR: *Stacy* 2016/12/24 DWG NO.:
CHKD: *Stacy* 2016/12/24 SCALE: 1/1 REV. A
APPD: 21

CUSTOMER DRAWING

REV.	ECN.	NO.	APPL.