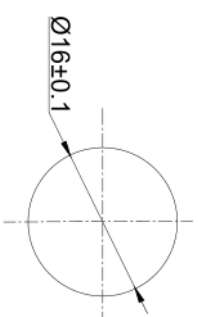
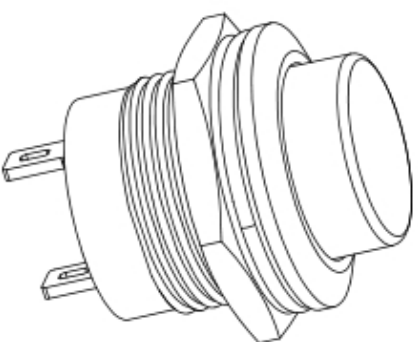
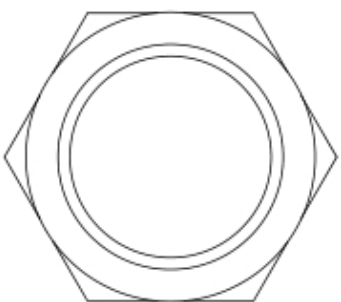




Process
Capable

**RoHS
Compliant**
2002/95/EC

DIMENSIONS



Panel Thickness: 3mm MAX.



CUT-OUT

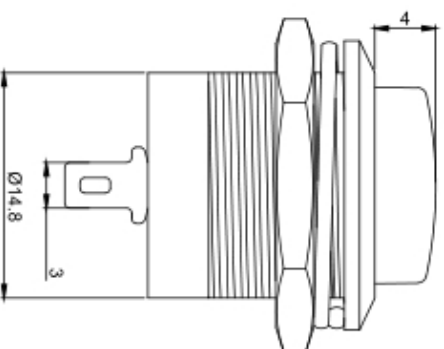
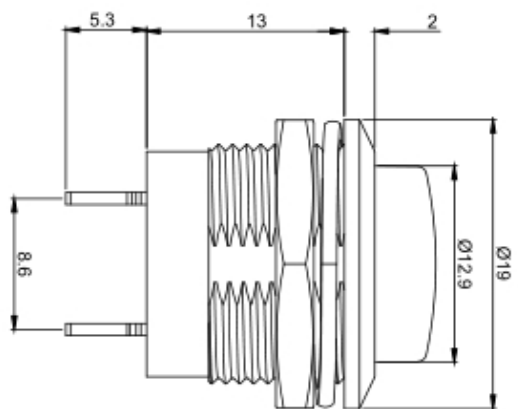


SWITCHING CIRCUIT

ELECTRO-MECHANICAL CHARACTERISTICS

Refer to additional specifications

RATING	6A 150VAC 3A 250VAC
CIRCUIT	
CONTACT RESISTANCE	100mΩ MAX.
TIMING	NON-SHORTING
OPERATING MODE	SELF-LOCK
STROKE	2.4mm
OPERATING FORCE	200 ± 50gf
OPERATING LIFE(cycles)	10000 IP65



9	CONTACT CLIP	PBS STRIP	2	AQ PLATED
8	TERMINAL	BRASS STRIP	6	AQ PLATED
7	BASE	PHENOLIC RESIN	1	NATURAL
6	FRAME	STEEL STRIP	1	NI-PLATED
5	SPRING PLATE	PBS STRIP	1	NATURAL
4	CAM STICK	PBS WIRE	1	NATURAL
3	SPRING	STEEL WIRE	1	NI-PLATED
2	BLOCK	STEEL STRIP	1	NI-PLATED
1	KNDB	PA66	1	BLACK
ND.	PARTS	MATERIAL	Q'TY	FINISHING

WITHIN 1.5mm±0.1mm
OVER 1.5mm±0.2mm

UNITS
mm
MAT'L
SEE NOTE

DONGGUAN MINGJU ELECTRONICS CO.,LTD

FINISH
SEE NOTE

TITLE:
PUSH SWITCH / HORIZONTAL

PART NO.:
PB02

DR: *Stacy* 2016/12/24

DWG NO.:
PB02

CHKD: *Stacy* 2016/12/24

SCALE SHEET
1/1

Q'TY
APPD:

APPLD:

REV. A
CUSTOMER DRAWING

REV.	ECN.	NO.	APPLD.