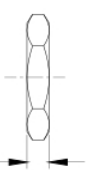
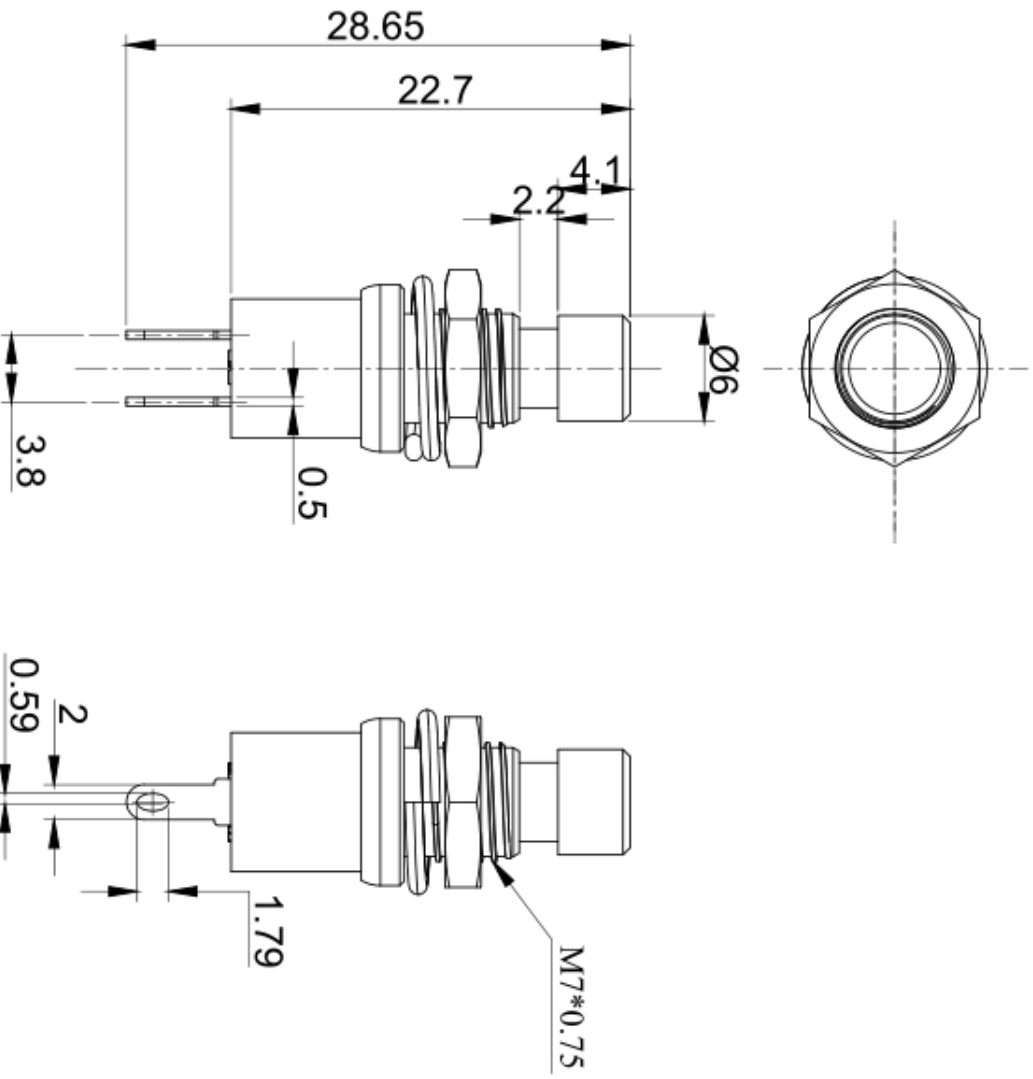


DIMENSIONS



Nut Figure

Panel Thickness: 3mm MAX.



SWITCHING CIRCUIT

ELECTRO-MECHANICAL CHARACTERISTICS

Refer to additional specifications

RATING	1.5A 250VAC 3A 150VAC
CIRCUIT	
CONTACT RESISTANCE	100mΩ MAX.
TIMING	NON-SHORTING
OPERATING MODE	SELF-LOCK
STROKE	1.9mm
OPERATING FORCE	200 ± 50gf
OPERATING LIFE(cycles)	10000 IP65

9	CONTACT CLIP	PBS STRIP	2	AQ PLATED
8	TERMINAL	BRASS STRIP	6	AQ PLATED
7	BASE	PHENOLIC RESIN	1	NATURAL
6	FRAME	STEEL STRIP	1	NI-PLATED
5	SPRING PLATE	PBS STRIP	1	NATURAL
4	CAM STICK	PBS WIRE	1	NATURAL
3	SPRING	STEEL WIRE	1	NI-PLATED
2	BLOCK	STEEL STRIP	1	NI-PLATED
1	KNDB	PA66	1	BLACK
ND	PARTS	MATERIAL	Q'TY	FINISHING

WITHIN 1.5mm±0.1mm
OVER 1.5mm±0.2mm

UNITS mm
MATERIAL SEE NOTE
FINISH SEE NOTE

DONGGUAN MINGJU ELECTRONICS CO.,LTD

TITLE: PUSH SWITCH / HORIZONTAL
PART NO.: PB05-1

DR: 2016/12/24
CHKD: 2016/12/24
SCALE: 1/1

REV. 1/1
CUSTOMER DRAWING

REV.	ECN.	NO.	APPL.