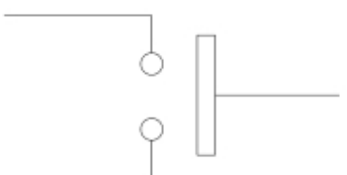




RoHS
Compliant
2002/95/EC

REV.	ECN.	NO.	APPL.

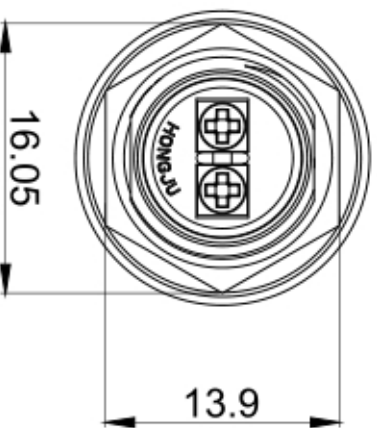
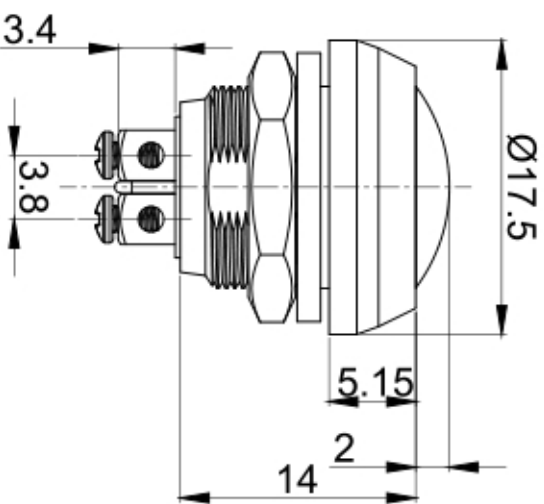
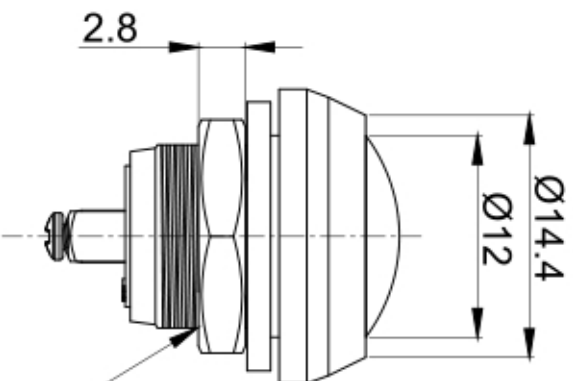


CONTACT CONFIGURATION

ELECTRO-MECHANICAL CHARACTERISTICS

Refer to additional specifications

RATING	2A 36V DC
CIRCUIT	
CONTACT RESISTANCE	100mΩ MAX.
TIMING	NON-SHORTING
OPERATING MODE	SELF-LOCK
STROKE	3.0mm
OPERATING FORCE	500 ± 50gf
OPERATING LIFE(cycles)	20000 IP65



9	CONTACT CLIP	PBS STRIP	2	AQ PLATED
8	TERMINAL	BRASS STRIP	6	AQ PLATED
7	BASE	PHENOLIC RESIN	1	NATURAL
6	FRAME	STEEL STRIP	1	NI-PLATED
5	SPRING PLATE	PBS STRIP	1	NATURAL
4	CAM STICK	PBS WIRE	1	NATURAL
3	SPRING	STEEL WIRE	1	NI-PLATED
2	BLOCK	STEEL STRIP	1	NI-PLATED
1	KNDB	PA66	1	BLACK
ND1	PARTS	MATERIAL	Q'TY	FINISHING

WITHIN 1.5mm±0.1mm
OVER 1.5mm±0.2mm

UNITS mm
MATEL
SEE NOTE

DONGGUAN MINGJU ELECTRONICS CO.,LTD
TITLE: PUSH SWITCH / HORIZONTAL
PART NO.: **PB08**
DWG NO.: **PB08**

THESE DRAWINGS AND SPECIFICATIONS ARE THE PROPERTY OF ACCURATE INNOTECH INC. AND SHALL NOT BE REPRODUCED, COPIED AND/OR TRANSMITTED IN ANY FORM OR BY ANY MEANS WITHOUT THE WRITTEN CONSENT OF ACCURATE INNOTECH INC.	FINISH SEE NOTE	CHKD: <i>Stacy</i> 2016/12/24	SCALE	SHEET	REV.	CUSTOMER DRAWING
	Q'TY	APPD:	21	1/1	A	