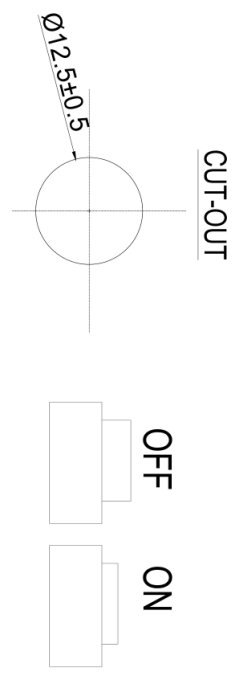
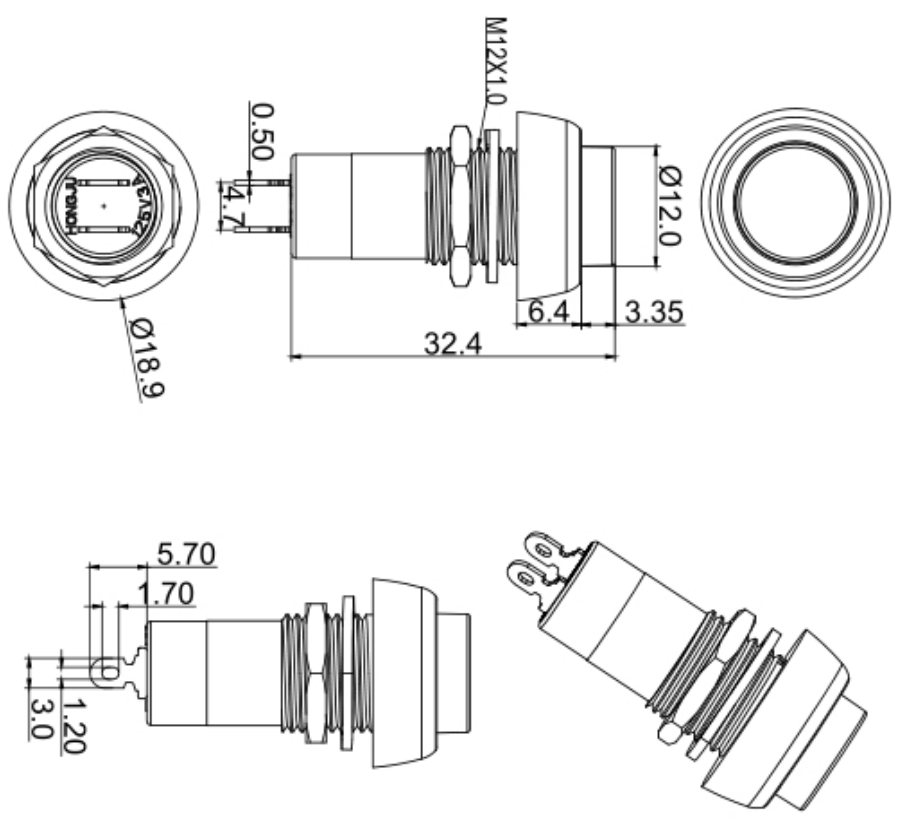


DIMENSIONS



ELECTRO-MECHANICAL CHARACTERISTICS
Refer to additional specifications

RATING	3A 150VAC 1.5A 250VAC
CIRCUIT	
CONTACT RESISTANCE	100mΩ MAX.
TIMING	NON-SHORTING
OPERATING MODE	SELF-LOCK
STROKE	3.0mm
OPERATING FORCE	350 ± 50gf
OPERATING LIFE(cycles)	10000

9	CONTACT CLIP	PBS STRIP	2	AQ PLATED	WITHIN 1.5mm±0.1mm	UNITS	mm
8	TERMINAL	BRASS STRIP	6	AQ PLATED	OVER 1.5mm±0.2mm	MAT'L	SEE NOTE
7	BASE	PHENOLIC RESIN	1	NATURAL		FINISH	SEE NOTE
6	FRAME	STEEL STRIP	1	NI-PLATED		SEE NOTE	
5	SPRING PLATE	PBS STRIP	1	NATURAL			
4	CAM STICK	PBS WIRE	1	NATURAL			
3	SPRING	STEEL WIRE	1	NI-PLATED			
2	BLOCK	STEEL STRIP	1	NI-PLATED			
1	KNDB	PA66	1	BLACK			
ND1	PARTS	MATERIAL	Q'TY	FINISHING			

DONGGUAN MINGJU ELECTRONICS CO.,LTD

TITLE: PUSH SWITCH / HORIZONTAL PART NO.: PB10

DR: *Stacy* 2016/12/24 DWG NO.:
CHKD: *Stacy* 2016/12/24 SCALE: 1/1

REV. ECN. NO. APPL. CUSTOMER DRAWING