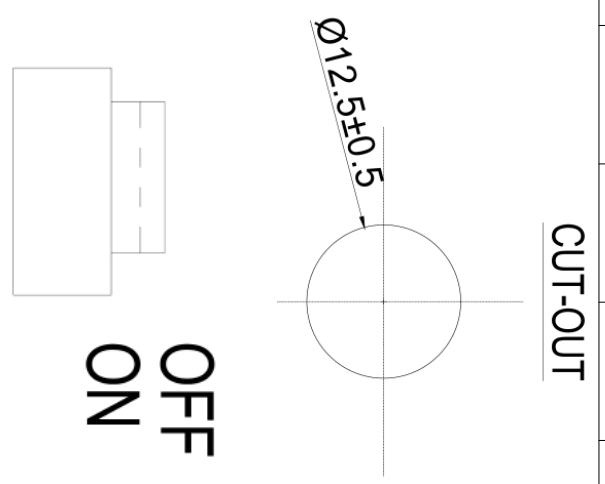
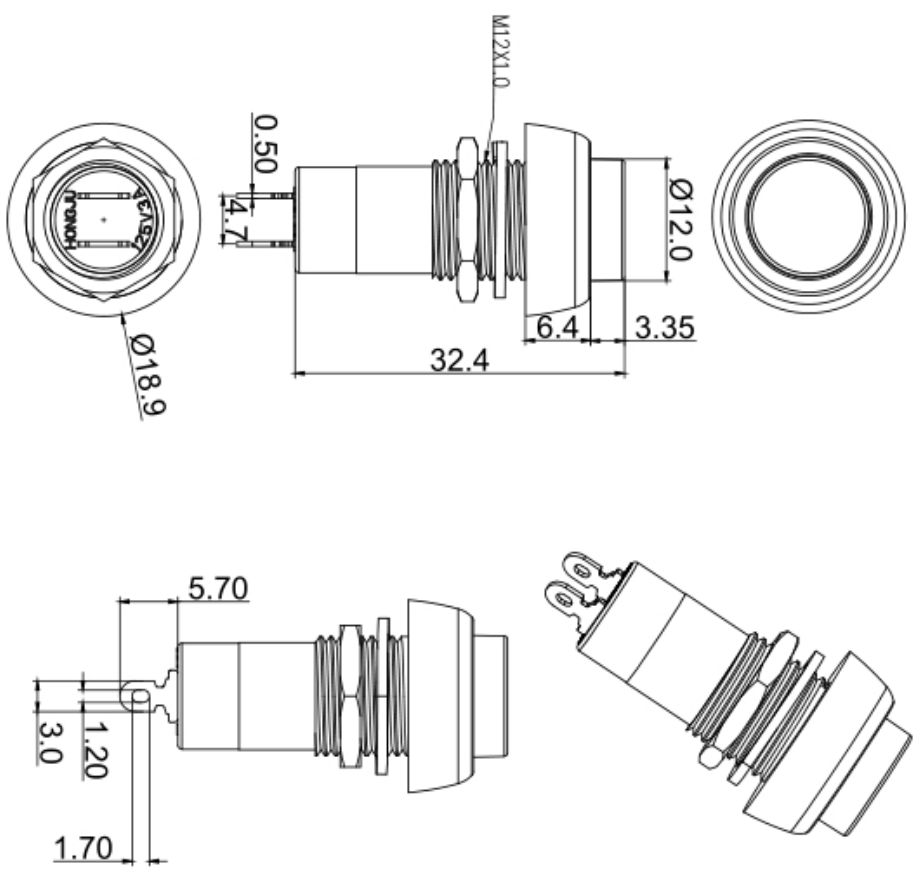


DIMENSIONS



ELECTRO-MECHANICAL CHARACTERISTICS
Refer to additional specifications

RATING	3A 150VAC 1.5A 250VAC
CIRCUIT	
CONTACT RESISTANCE	100mΩ MAX.
TIMING	NON-SHORTING
OPERATING MODE	SELF-LOCK
STROKE	3.0mm
OPERATING FORCE	350 ± 50gf
OPERATING LIFE(cycles)	10000

9	CONTACT CLIP	PBS STRIP	2	AQ PLATED	WITHIN 1.5mm±0.1mm	UNITS	mm
8	TERMINAL	BRASS STRIP	6	AQ PLATED	OVER 1.5mm±0.2mm	MAT'L	SEE NOTE
7	BASE	PHENOLIC RESIN	1	NATURAL		SEE NOTE	
6	FRAME	STEEL STRIP	1	Ni-PLATED		FINISH	SEE NOTE
5	SPRING PLATE	PBS STRIP	1	NATURAL			
4	CAM STICK	PBS WIRE	1	NATURAL			
3	SPRING	STEEL WIRE	1	Ni-PLATED			
2	BLOCK	STEEL STRIP	1	Ni-PLATED			
1	KNDB	PA66	1	BLACK			
ND.	PARTS	MATERIAL	Q'TY	FINISHING			

THESE DRAWINGS AND SPECIFICATIONS ARE THE PROPERTY OF ACCURATE INNOTECH INC. AND SHALL NOT BE REPRODUCED, COPIED OR TRANSMITTED IN ANY FORM OR BY ANY MEANS WITHOUT THE WRITTEN CONSENT OF ACCURATE INNOTECH INC.

DONGGUAN MINGJU ELECTRONICS CO.,LTD

TITLE: PUSH SWITCH / HORIZONTAL
PART NO.: PB10-1

DR: Steady 2016/12/24 DWG NO.:
CHKD: Steady 2016/12/24 SCALE: 1/1

APPD: 21 REV. 1/1 A CUSTOMER DRAWING

REV.	ECN.	NO.	APPL.