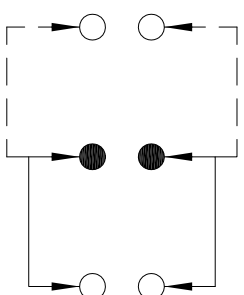
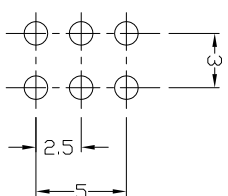
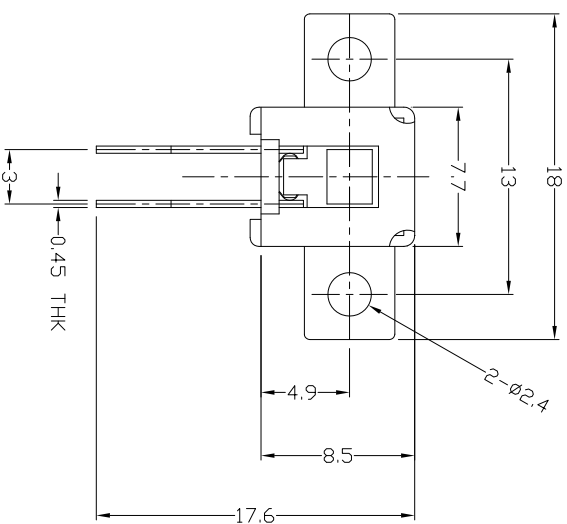
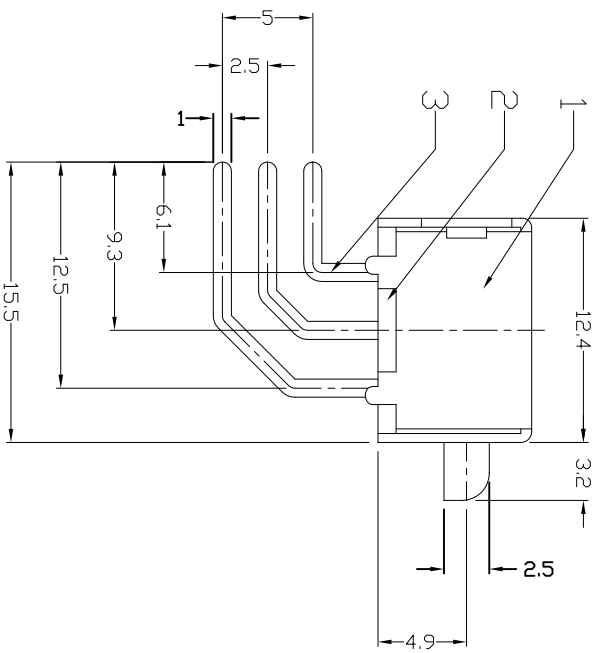
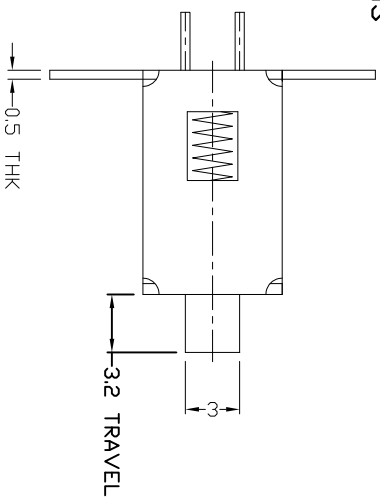




RoHS
Compliant
2002/95/EC

DIMENSIONS



P.C.B LAYOUT
BOTTOM VIEW

CIRCUIT DIAGRAM

ELECTRD-MECHANICAL CHARACTERISTICS

Refer to additional specifications

RATING	DC50V 0.3A
CIRCUIT	2P2T
CONTACT RESISTANCE	100mΩ MAX.
TIMING	NON-SHORTING
OPERATING MODE	NON-LOCK
STROKE	FULL 3.2mm
OPERATING FORCE	100±30gf
OPERATING LIFE(cycles)	10,000

8																			
7	SPRING	STEEL WIRE	1	NATURAL	WITHIN 1.5mm±0.1mm	UNITS	mm												
6	KNOB	POM	1	BLACK	OVER 1.5mm±0.2mm	MAT'L	SEE NOTE												
5	CONTACT CLIP	PBS STRIP	2	AG PLATED		FINISH	SEE NOTE												
4	TERMINAL	BRASS STRIP	6	AG PLATED		Q'TY	SEE NOTE												
3	BASE	PHENOLIC RESIN	1	NATURAL		DR:	2015/04/02	DWG NO.:	PS-22F94N										
2	FRAME	STEEL STRIP	1	N' PLATED		CHKD:	2015/04/02	SCALE	1/1	REV.	A								
1	PARTS	MATERIAL	Q'TY	FINISHING		APPD:		SCALE	1/1	REV.	A								

DONGGUAN MINGJU ELECTRONICS CO.,LTD

TITLE: PUSH SWITCH / HORIZONTAL PART NO.: PS-22F94N

DR: 2015/04/02 DWG NO.: PS-22F94N

CHKD: 2015/04/02 SCALE: 1/1 REV: A CUSTOMER DRAWING

REV.	ECN.	NO.	APPL.