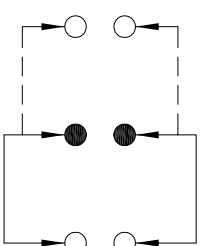
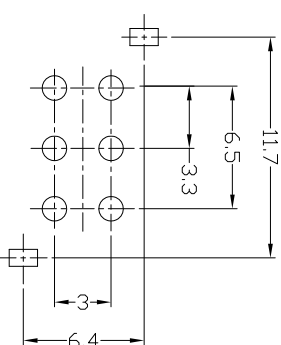
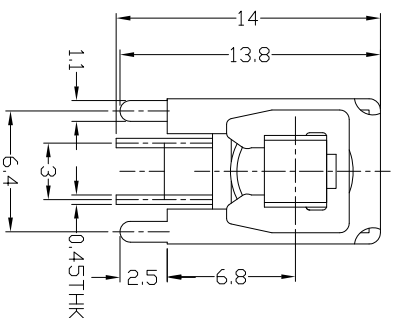
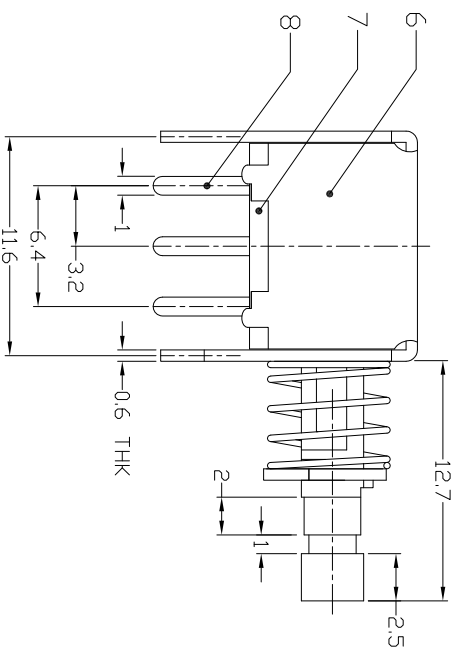
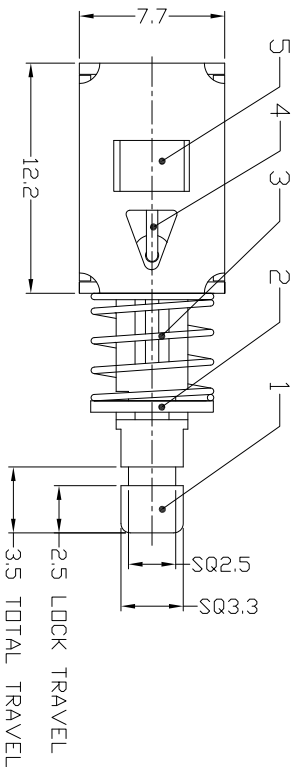




**RoHS**  
Compliant  
2002/95/EC

**DIMENSIONS**



**P.C.B LAYOUT**  
**BOTTOM VIEW**

**CIRCUIT DIAGRAM**

**ELECTRO-MECHANICAL CHARACTERISTICS**

Refer to additional specifications

RATING	DC50V 0.3A
CIRCUIT	2P2T
CONTACT RESISTANCE	30mΩ MAX.
TIMING	NON-SHORTING
OPERATING MODE	SELF-LOCK
STROKE	FULL 3.5mm   LOCK 2.5mm
OPERATING FORCE	300±100gf
OPERATING LIFE(cycles)	10,000

9	CONTACT CLIP	PBS STRIP	2	Ag CLAD
8	TERMINAL	BRASS STRIP	6	Ag PLATED OVER Ni PLATED
7	BASE	PHENOLIC RESIN	1	NATURAL
6	FRAME	STEEL STRIP	1	Ni PLATED OVER Cu PLATED
5	SPRING PLATE	PBS STRIP	1	NATURAL
4	CAM STICK	PBS WIRE	1	NATURAL
3	SPRING	STEEL WIRE	1	Ni PLATED
2	BLOCK	STEEL STRIP	1	Ni PLATED OVER Cu PLATED
1	KNOB	NYLON+94V0+FG	1	BLACK
ND.	PARTS	MATERIAL	Q'TY	FINISHING

WITHIN 1.5mm: ±0.1mm  
OVER 1.5mm: ±0.2mm

UNITS: mm  
MATERIAL: SEE NOTE  
FINISH: SEE NOTE

**DONGGUAN MINGJU ELECTRONICS CO.,LTD**

TITLE: PUSH SWITCH / HORIZONTAL  
PART NO.: PS-22F85L

DR: *Rocky* 2015/03/27  
DWG NO.: PS-22F85L

CHKD: *Rocky* 2015/03/27  
SCALE: 5:2  
APPD: 1/1  
REV. A  
CUSTOMER DRAWING

REV.	ECN.	NO.	APPD.