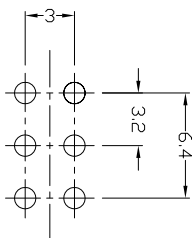
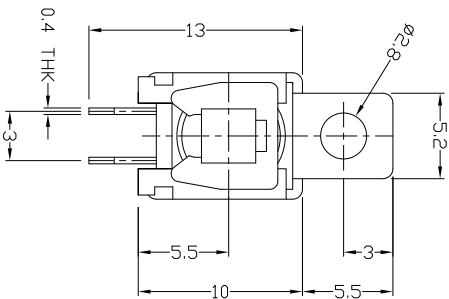
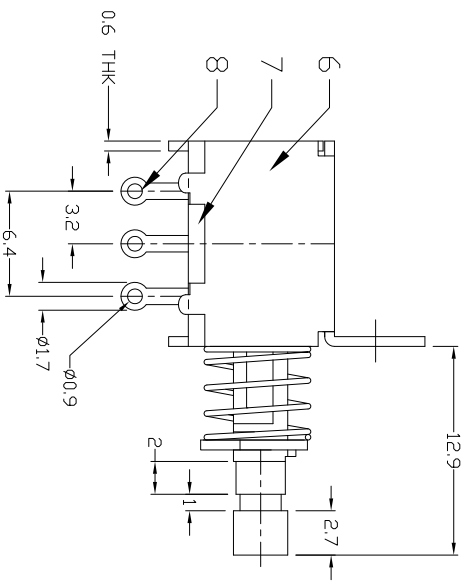
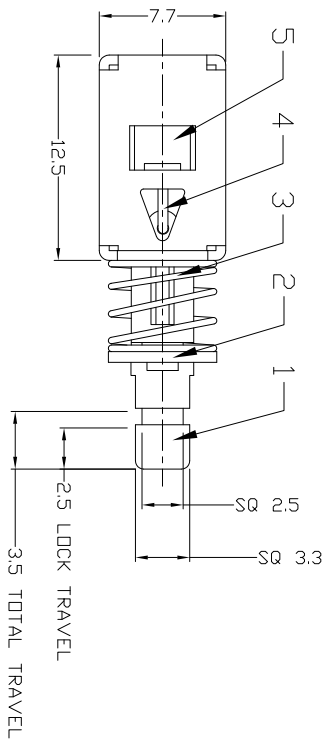
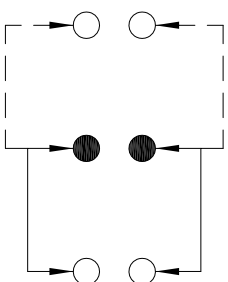


DIMENSIONS



P.C.B LAYOUT
BOTTOM VIEW



CIRCUIT DIAGRAM

ELECTRO-MECHANICAL CHARACTERISTICS

Refer to additional specifications

RATING	DC50V 0.3A
CIRCUIT	2P2T
CONTACT RESISTANCE	100mΩ MAX.
TIMING	NON-SHORTING
OPERATING MODE	SELF-LOCK
STROKE	TOTAL 3.5mm LOCK 2.5mm
OPERATING FORCE	250±100gf
OPERATING LIFE(cycles)	10,000

9	CONTACT CLIP	PBS STRIP	2	AQ PLATED
8	TERMINAL	BRASS STRIP	6	AQ PLATED
7	BASE	PHENOLIC RESIN	1	NATURAL
6	FRAME	STEEL STRIP	1	NI-PLATED
5	SPRING PLATE	PBS STRIP	1	NATURAL
4	CAM STICK	PBS WIRE	1	NATURAL
3	SPRING	STEEL WIRE	1	NI-PLATED
2	BLOCK	STEEL STRIP	1	NI-PLATED
1	KNDB	PA66	1	BLACK
ND	PARTS	MATERIAL	Q'TY	FINISHING

WITHIN 1.5mm±0.1mm
OVER 1.5mm±0.2mm

UNITS mm

MAT'L

SEE NOTE

FINISH

SEE NOTE

Q'TY

APP'D:

DONGGUAN MINGJU ELECTRONICS CO.,LTD

TITLE: PUSH SWITCH / HORIZONTAL

DR: *Rocky* 2015/04/01

CHK'D: *Rocky* 2015/04/01

PART NO.:

PS-22F58L

DWG NO.: PS-22F58L

SCALE SHEET REV. 1/1 A CUSTOMER DRAWING

REV.	ECN.	NO.	APPL.