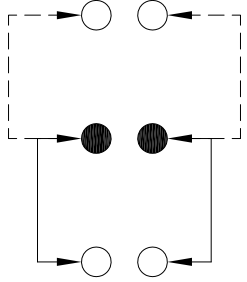
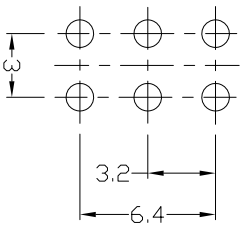
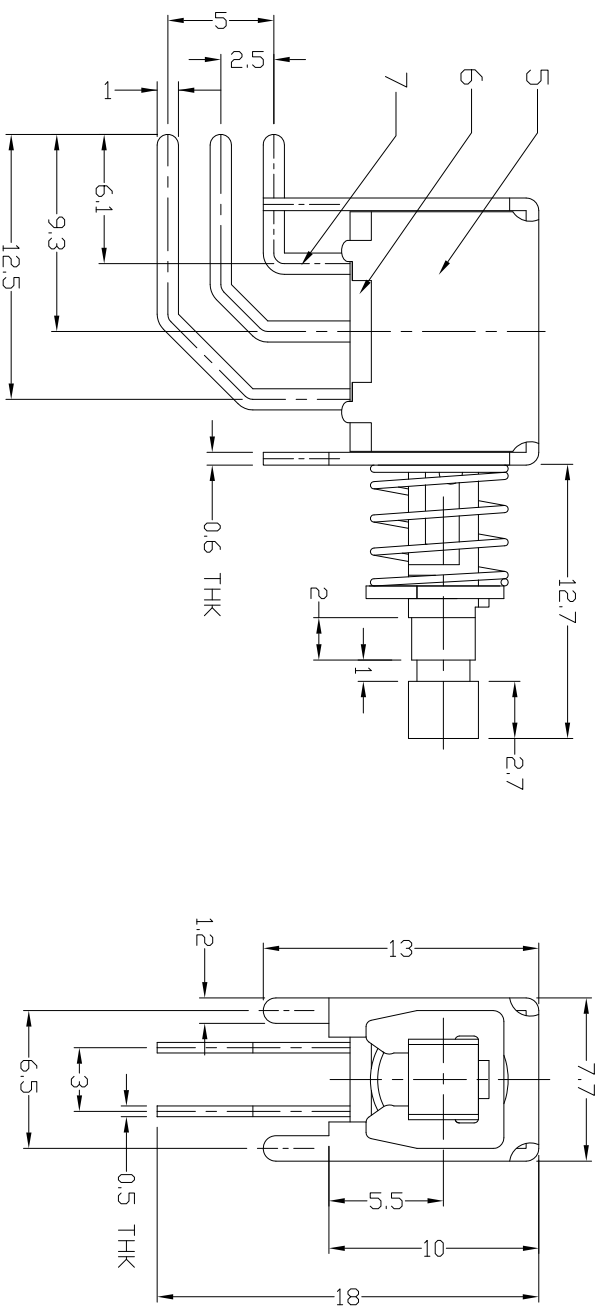
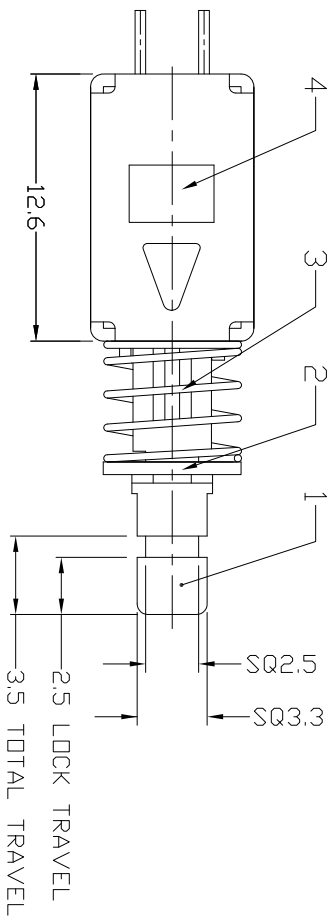


DIMENSIONS



P.C.B LAYOUT
BOTTOM VIEW

CIRCUIT DIAGRAM

ELECTRO-MECHANICAL CHARACTERISTICS

Refer to additional specifications

RATING	DC50V 0.3A
CIRCUIT	2P2T
CONTACT RESISTANCE	100mΩ MAX.
TIMING	NDN-SHORTING
OPERATING MODE	SELF-LOCK AP-22F33L NDN-LOCK AP-22F35N
STROKE	TOTAL 3.5mm LOCK 2.5mm
OPERATING FORCE	350±100gf
OPERATING LIFE(cycles)	10,000

8	CONTACT CLIP	PBS STRIP	2	AG PLATED	WITHIN 1.5mm±0.1mm	UNITS	mm
7	TERMINAL	BRASS STRIP	6	AG PLATED	OVER 1.5mm±0.2mm	MAT'L	
6	BASE	PHENOLIC RESIN	1	NATURAL		SEE NOTE	
5	FRAME	STEEL STRIP	1	Ni PLATED		FINISH	
4	SCREEN	STEEL STRIP	1	Ni PLATED		SEE NOTE	
3	SPRING	STEEL WIRE	1	Ni PLATED			
2	BLOCK	STEEL STRIP	1	Ni PLATED			
1	KNDB	PAG6	1	BLACK		Q'TY	
ND	PARTS	MATERIAL	Q'TY	FINISHING		APPD	

DONGGUAN MINGJU ELECTRONICS CO.,LTD

TITLE: PUSH SWITCH / HORIZONTAL
PART NO.: PS-22F33L&35N

DR: *Stacy* 2015/04/01
DWG NO.: PS-22F33L&35N

CHKD: *Stacy* 2015/04/01
SCALE: SHEET 5/2 REV. 1/1 A CUSTOMER DRAWING

REV.	ECN.	NO.	APPL.