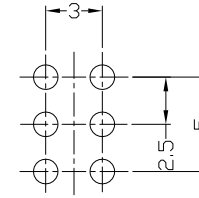
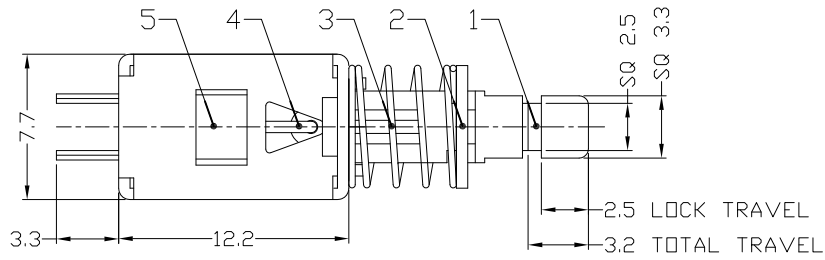




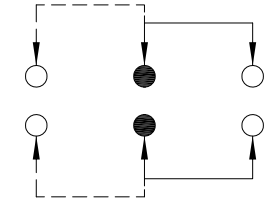
RoHS
Compliant
2002/95/EC

REV.	ECN.	NO.	APPD.

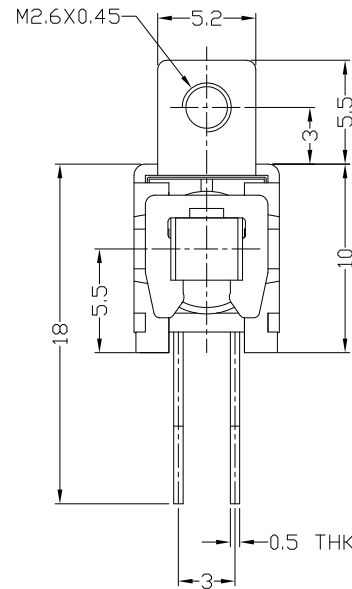
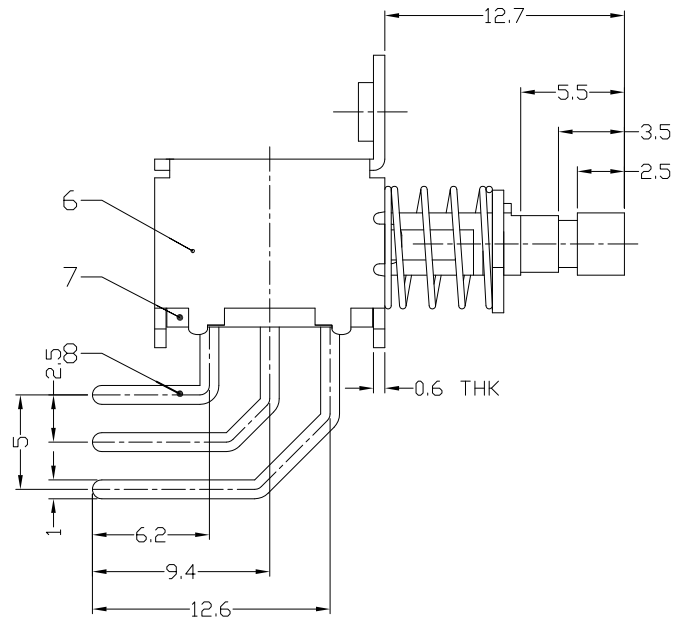
DIMENSIONS



P.C.B LAYOUT



CIRCUIT DIAGRAM



ELECTRO-MECHANICAL CHARACTERISTICS

Refer to additional specifications

RATING	DC50V 0.3A
CIRCUIT	2P2T
CONTACT RESISTANCE	30mΩ MAX.
TIMING	NON-SHORTING
OPERATING MODE	SELF-LOCK
STROKE	FULL 3.2mm LOCK 2.5mm
OPERATING FORCE	250±100gf
OPERATING LIFE(cycles)	10,000

NO.	PARTS	MATERIAL	Q'TY	FINISHING
9	CONTACT CLIP	PBS C5210R-EH	2	Ag CLAD
8	TERMINAL	BRASS STRIP	6	Ag PLATED OVER Ni PLATED
7	BASE	PHENOLIC RESIN	1	NATURAL
6	FRAME	STEEL STRIP	1	Ni PLATED
5	SPRING PLATE	PBS STRIP	1	NATURAL
4	CAM STICK	PBS WIRE	1	NATURAL
3	SPRING	STEEL WIRE	1	Ni PLATED
2	BLOCK	STEEL STRIP	1	Ni PLATED
1	KNDB	PDM	1	BLACK

WITHIN 1.5mm: ±0.1mm	UNITS mm
OVER 1.5mm: ±0.2mm	MAT'L
	SEE NOTE
	FINISH
	SEE NOTE
	Q'TY

DONGGUAN MINGJU ELECTRONICS CO.,LTD			
TITLE:	PUSH SWITCH / HORIZONTAL	PART NO.:	PS-22F25L
DR:	Ricky 2015/03/27	DWG NO.:	PS-22F25L
CHKD:	Ricky 2015/03/27	SCALE	5:2
APPD:		SHEET	1/1
		REV.	A
		CUSTOMER	DRAWING

THESE DRAWINGS AND SPECIFICATIONS ARE THE PROPERTY OF ACCURATE INNOTECH INC AND SHALL NOT BE REPRODUCED, COPIED OR USED IN ANY MANNER WITHOUT THE PRIOR WRITTEN CONSENT OF ACCURATE INNOTECH INC.

