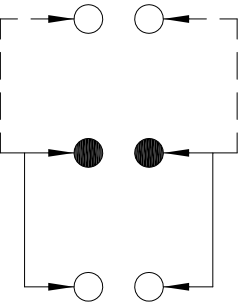
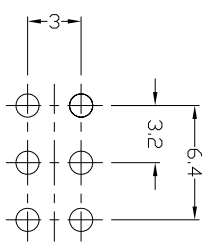
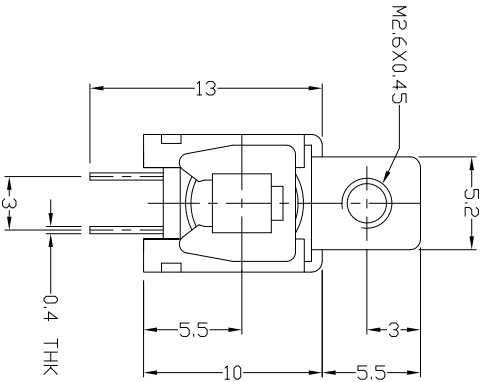
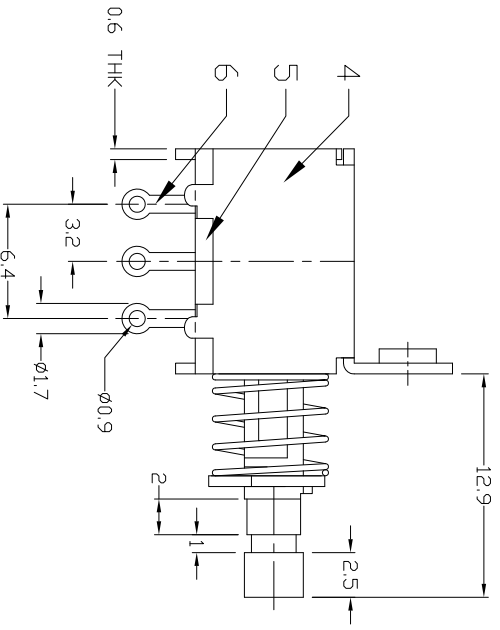
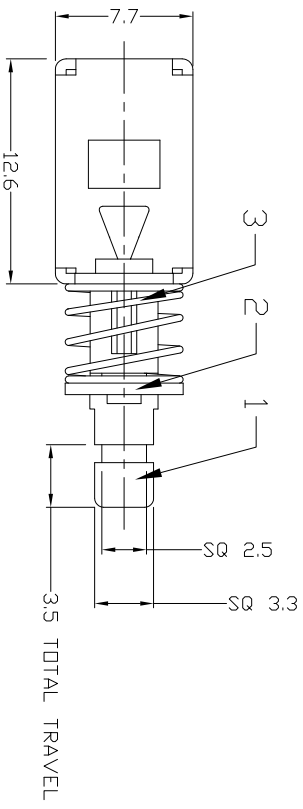


DIMENSIONS



P.C.B LAYOUT
BOTTOM VIEW

CIRCUIT DIAGRAM

ELECTRO-MECHANICAL CHARACTERISTICS

Refer to additional specifications

RATING	DC50V 0.3A
CIRCUIT	2P2T
CONTACT RESISTANCE	100mΩ MAX.
TIMING	NON-SHORTING
OPERATING MODE	NON-LOCK
STROKE	TOTAL 3.5mm
OPERATING FORCE	250±100gf
OPERATING LIFE(cycles)	10,000

8	SCREEN	STEEL STRIP	1	NI PLATED	WITHIN 1.5mm±0.1mm	UNITS	mm
7	CONTACT CLIP	PBS STRIP	2	AG PLATED	OVER 1.5mm±0.2mm	MAT'L	SEE NOTE
6	TERMINAL	BRASS STRIP	6	AG PLATED		SEE NOTE	
5	BASE	PHENOLIC RESIN	1	NATURAL		FINISH	SEE NOTE
4	FRAME	STEEL STRIP	1	NI PLATED		Q'TY	
3	SPRING	STEEL WIRE	1	NI PLATED		APP'D:	
2	BLOCK	STEEL STRIP	1	NI PLATED		CHK'D:	
1	KNOB	PAG6	1	BLACK		SCALE	2:1
ND.	PARTS	MATERIAL	Q'TY	FINISHING		SHEET	1/1
						REV.	A
						CUSTOMER	DRAWING

DONGGUAN MINGJU ELECTRONICS CO.,LTD

TITLE: PUSH SWITCH / HORIZONTAL
PART NO.: PS-22F17N

DR: 2015/03/31
DWG NO.: PS-22F17N

CHK'D: 2015/03/31
SCALE: 2:1

REV.	ECN.	NO.	APPL.