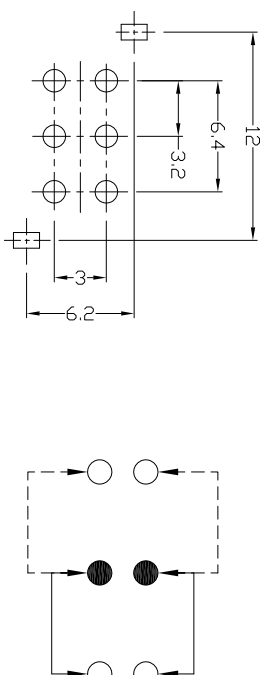
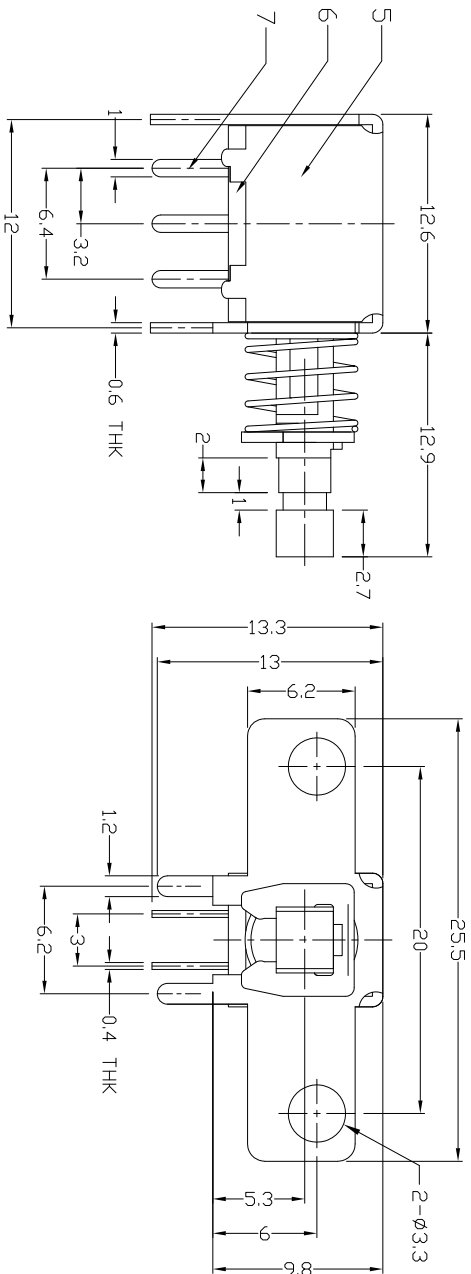
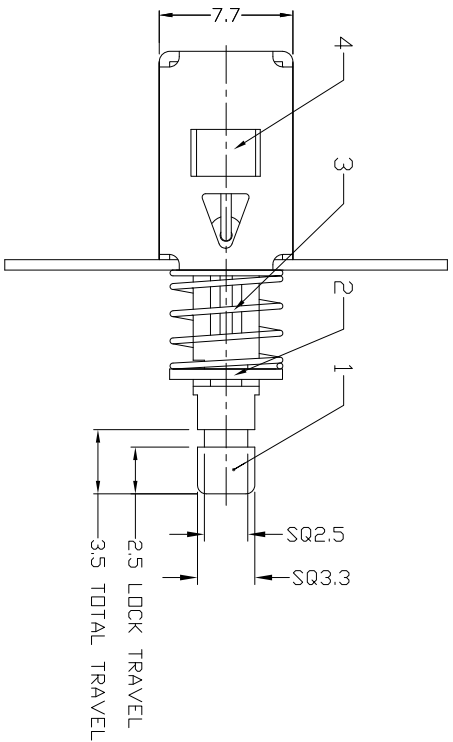




**RoHS**  
Compliant  
2002/95/EC

### DIMENSIONS



P.C.B LAYOUT  
BOTTOM VIEW

CIRCUIT DIAGRAM

### ELECTRO-MECHANICAL CHARACTERISTICS

Refer to additional specifications

RATING	DC50V 0.3A	
CIRCUIT	2P2T	
CONTACT RESISTANCE	100mΩ MAX.	
TIMING	NON-SHORTING	
OPERATING MODE	SELF-LOCK	AP-22F06L
	NON-LOCK	AP-22F12N
STROKE	TOTAL 3.5mm	LOCK 2.5mm
OPERATING FORCE	350±100gf	
	OPERATING LIFE(cycles)	

9	CONTACT CLIP	PBS STRIP	2	AG PLATED	WITHIN 1.5mm±0.1mm	UNITS	mm
8	CAM STICK	PBS WIRE	1	NATURAL	OVER 1.5mm±0.2mm	MAT'L	SEE NOTE
7	TERMINAL	BRASS STRIP	6	AG PLATED		SEE NOTE	
6	BASE	PHENOLIC RESIN	1	NATURAL		FINISH	SEE NOTE
5	FRAME	STEEL STRIP	1	Ni PLATED		DR:	2015/03/31
4	SPRING PLATE	PBS STRIP	1	NATURAL		CHKD:	2015/03/31
3	SPRING	STEEL WIRE	1	Ni PLATED		APPD:	2015/03/31
2	BLOCK	STEEL STRIP	1	Ni PLATED			
1	KNDB	PA66	1	BLACK			
ND	PARTS	MATERIAL	Q'TY	FINISHING			

**DONGGUAN MINGJU ELECTRONICS CO.,LTD**

TITLE: PUSH SWITCH / HORIZONTAL  
PART NO.: PS-22F06L&12N

DR: 2015/03/31  
CHKD: 2015/03/31  
APPD: 2015/03/31

DWG NO.: PS-22F06L&12N  
SCALE: 1/1  
SHEET: 1/1  
REV: A  
CUSTOMER DRAWING

REV.	ECN.	NO.	APPL.