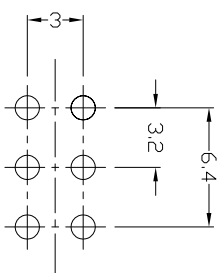
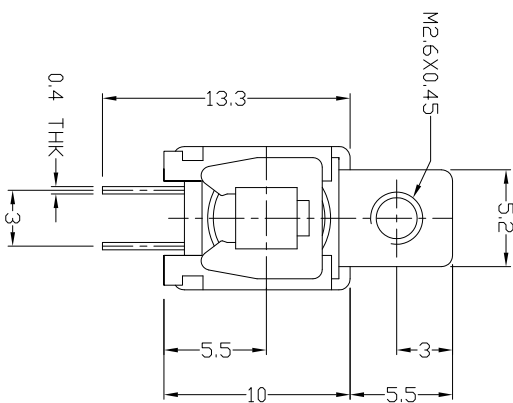
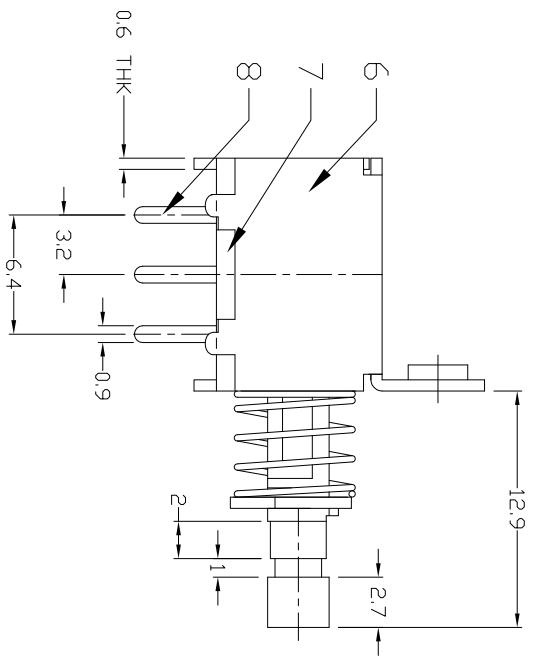
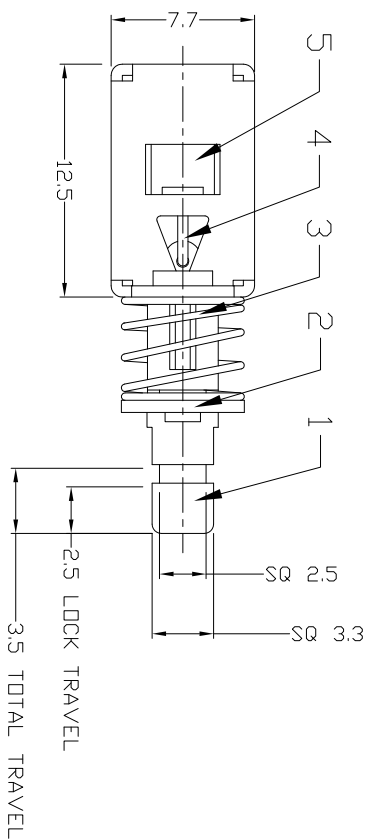


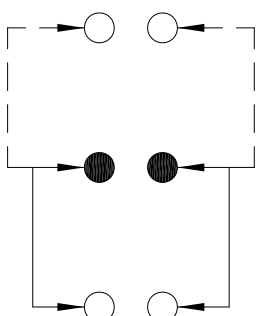


RoHS
Compliant
2002/95/EC

DIMENSIONS



P.C.B LAYOUT
BOTTOM VIEW



CIRCUIT DIAGRAM

ELECTRO-MECHANICAL CHARACTERISTICS

Refer to additional specifications

RATING	DC50 V 0.3A	
CIRCUIT	2P2T	
CONTACT RESISTANCE	100mΩ MAX.	
TIMING	NON-SHORTING	
OPERATING MODE	SELF-LOCK	AP-22F05L
	NON-LOCK	AP-22F07N
STROKE	TOTAL 3.5mm	LOCK 2.5mm
	OPERATING FORCE	350±100gf
OPERATING LIFE(cycles)	10,000	

9	CONTACT CLIP	PBS STRIP	2	AG PLATED	WITHIN 1.5mm±0.1mm	UNITS	mm	DONGGUAN MINGJU ELECTRONICS CO.,LTD TITLE: PUSH SWITCH / HORIZONTAL PART NO.: PS-2205L&07N DR: <i>Stacy</i> 2015/03/31 DWG NO.: PS-2205L&07N CHKD: <i>Stacy</i> 2015/03/31 SCALE: 2:1 APPD:
8	TERMINAL	BRASS STRIP	6	AG PLATED	OVER 1.5mm±0.2mm	MAT'L		
7	BASE	PHENOLIC RESIN	1	NATURAL		SEE NOTE		
6	FRAME	STEEL STRIP	1	NI-PLATED		FINISH		
5	SPRING PLATE	PBS STRIP	1	NATURAL		SEE NOTE		
4	CAM STICK	PBS WIRE	1	NATURAL				
3	SPRING	STEEL WIRE	1	NI-PLATED				
2	BLOCK	STEEL STRIP	1	NI-PLATED		Q'TY		
1	KNDB	PA66	1	BLACK		APPD:		
ND	PARTS	MATERIAL	Q'TY	FINISHING				

THESE DRAWINGS AND SPECIFICATIONS ARE THE PROPERTY OF ACCURATE INNOTECH INC. AND SHALL NOT BE REPRODUCED, COPIED AND/OR TRANSMITTED IN ANY FORM OR BY ANY MEANS WITHOUT THE WRITTEN CONSENT OF ACCURATE INNOTECH INC.

REV.	ECN.	NO.	APPL.