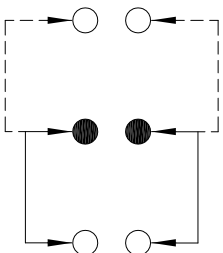
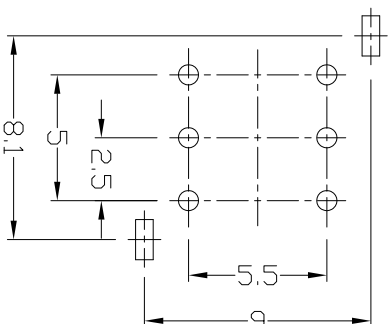
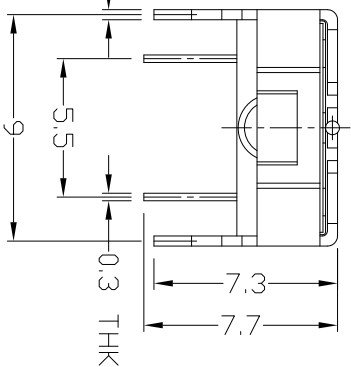
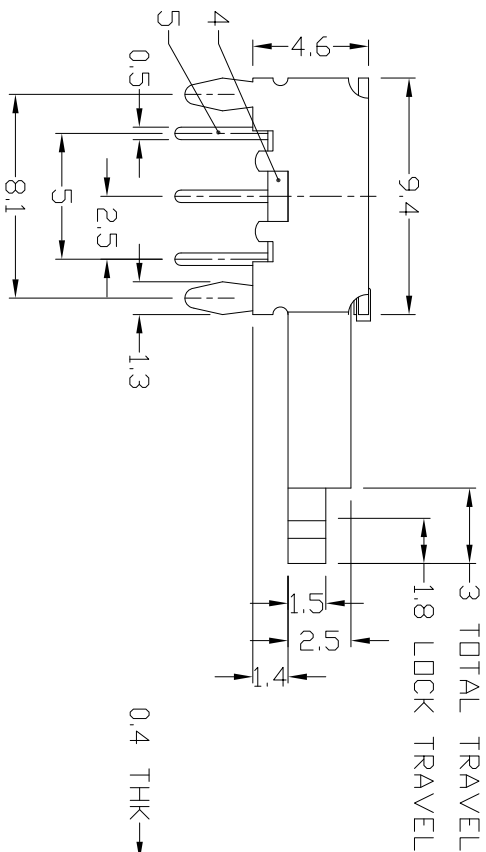
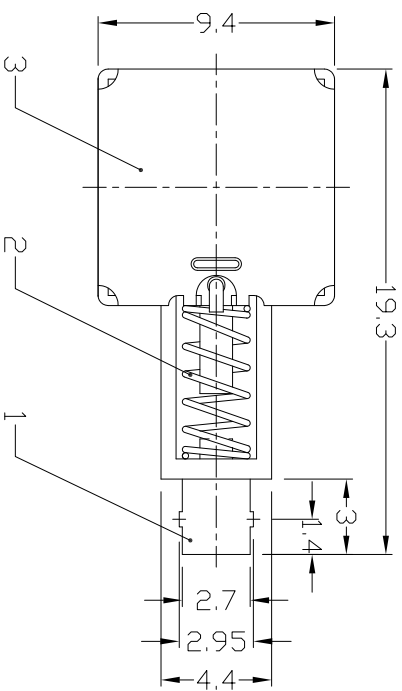




RoHS  
Compliant  
2002/95/EC

**DIMENSIONS**



P.C.B LAYOUT  
BOTTOM VIEW

CIRCUIT DIAGRAM

**ELECTRO-MECHANICAL CHARACTERISTICS**

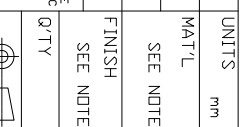
Refer to additional specifications

RATING	DC30V 0.5A
CIRCUIT	2P2T
CONTACT RESISTANCE	50mΩ MAX.
TIMING	NON-SHORTING
OPERATING MODE	SELF-LOCK AP-22E02L NON-LOCK AP-22E03N
STROKE	TOTAL 3mm LOCK 1.8mm
OPERATING FORCE	250±100gf
OPERATING LIFE(cycles)	10,000

8	CONTACT CLIP	PBS STRIP	2	Ag PLATED
7	CAM STICK	PBS STRIP	1	NATURAL
6	SPRING PLATE	PBS STRIP	1	NATURAL
5	TERMINAL	BRASS STRIP	6	Ag PLATED
4	BASE	PHENOLIC RESIN	1	NATURAL
3	FRAME	STEEL STRIP	1	Ni PLATED
2	SPRING	STEEL WIRE	1	NATURAL
1	KNOB	PBT+F.G+94V0	1	YELLOW
ND.	PARTS	MATERIAL	Q'TY	FINISHING

WITHIN 1.5mm±0.1mm  
OVER 1.5mm±0.2mm

UNITS mm  
MATERIAL SEE NOTE  
FINISH SEE NOTE  
DR: 2015/03/30  
CHKD: 2015/03/30  
APPD: 2015/03/30



**DONGGUAN MINGJU ELECTRONICS CO.,LTD**

TITLE: PUSH SWITCH / HORIZONTAL  
PART NO.: PS-22E02L&03N

DR: 2015/03/30  
CHKD: 2015/03/30  
SCALE: 1/1

DWG NO.: PS-22E02L&03N  
SHEET: 3/1  
REV: A  
CUSTOMER DRAWING

REV.	ECN.	NO.	APPL.