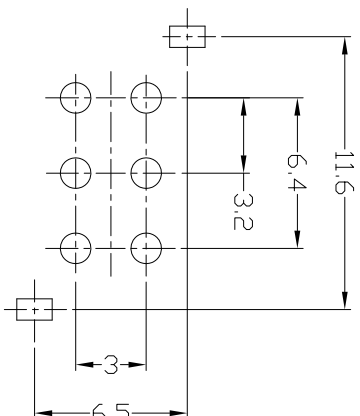
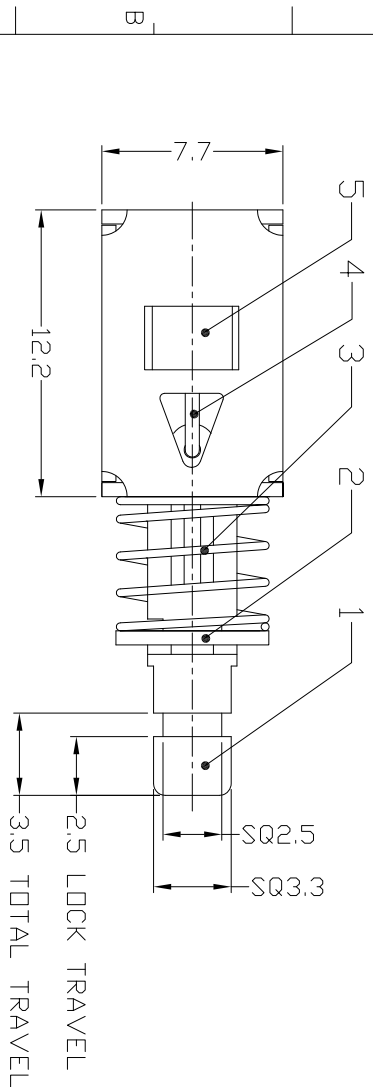


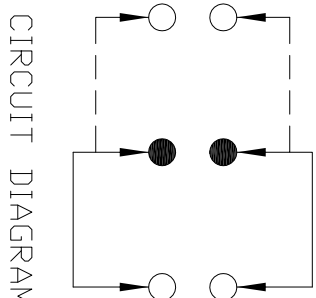


RoHS
Compliant
2002/95/EC

DIMENSIONS



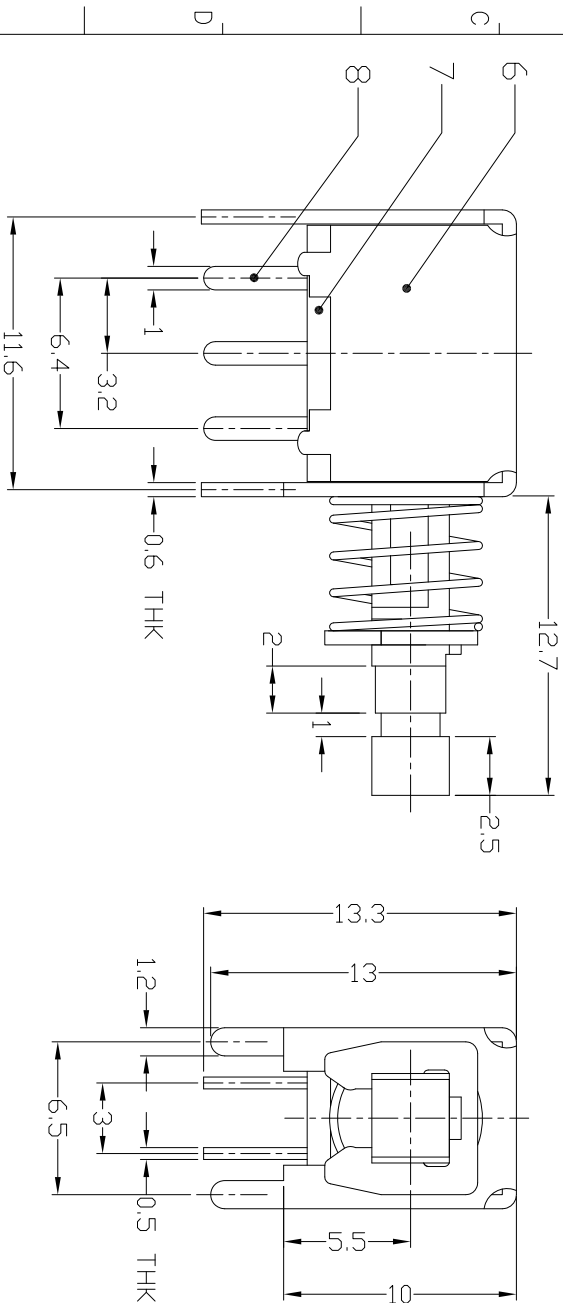
P.C.B LAYOUT
BOTTOM VIEW



ELECTRO-MECHANICAL CHARACTERISTICS

Refer to additional specifications

RATING	DC50 V 0.3A	
CIRCUIT	2P2T	
CONTACT RESISTANCE	30mΩ MAX.	
TIMING	NON-SHORTING	
OPERATING MODE	SELF-LOCK	AP-22F02L
	NON-LOCK	AP-22F03N
STROKE	FULL 3.5mm	LOCK 2.5mm
OPERATING FORCE	250±100gf	
	OPERATING LIFE(cycles)	
		10,000



9	CONTACT CLIP	PBS STRIP	2	Ag CLAD							
8	TERMINAL	BRASS STRIP	6	Ag PLATED OVER Ni PLATED							
7	BASE	PHENOLIC RESIN	1	NATURAL	WITHIN 1.5mm: ±0.1mm OVER 1.5mm: ±0.2mm	UNITS mm					
6	FRAME	STEEL STRIP	1	Ni PLATED		MA'T'L SEE NOTE					
5	SPRING PLATE	PBS STRIP	1	NATURAL		FINISH SEE NOTE					
4	CAM STICK	PBS WIRE	1	NATURAL		DR: <i>Stacy</i> 2015/03/26					
3	SPRING	STEEL WIRE	1	Ni PLATED		TITLE: PUSH SWITCH / HORIZONTAL					
2	BLOCK	STEEL STRIP	1	Ni PLATED		DR: <i>Stacy</i> 2015/03/26					
1	KNOB	PDM	1	BLACK/BLUE		CHKD: <i>Stacy</i> 2015/03/26					
ND.	PARTS	MATERIAL	Q'TY	FINISHING		APPD:					

DONGGUAN MINGJU ELECTRONICS CO.,LTD

PART NO.: LD-22F02L&03N

DWG NO.: LD-22F02L&03N

SCALE: 1/1
REV. A
CUSTOMER DRAWING

REV.	ECN.	NO.	APPD.