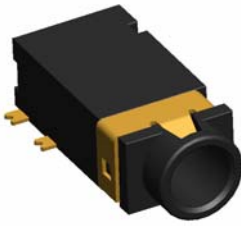


# HEADPHONE JACK --- $\phi$ 3.5 SMT TERMINAL

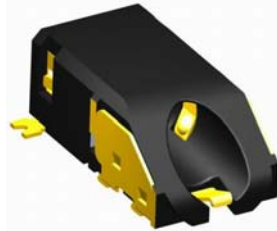
<p>PJBS-003</p> 	<p>PJBS-005</p> 	<p>PJBS-010</p> 
<p>PJBS-015</p> 	<p>PJBS-022</p> 	<p>PJBS-023</p> 
<p>PJBS-024</p> 	<p>PJBS-026</p> 	<p>PJBS-029</p> 
<p>PJBS-033</p> 	<p>PJBS-035</p> 	<p>PJBS-036</p> 
<p>PJBS-037</p> 	<p>PJBS-038</p> 	<p>PJES-040</p> 
<p>PJBS-041</p> 	<p>PJES-042</p> 	<p>PJEM-043</p> 

# HEADPHONE JACK --- $\phi$ 3.5 SMT TERMINAL

PJEM-044



PJEB-049



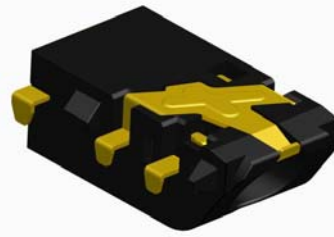
PJES-050



PJES-051



PJES-052



PJES-053



PJES-054



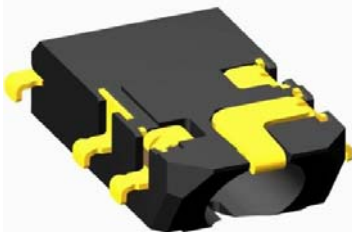
PJES-056



PJES-057



PJES-058



PJES-059



PJES-060



PJES-061



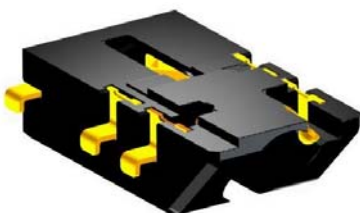
PJES-062



PJES-063



PJES-064



<http://www.pady-switch.com>

# HEADPHONE JACK

## Characteristics

Series	Terminal styles	Mode	Operating temperature range	Soldering
PJBB-003	PCB	Stereo	-25 °C to 70 °C	Dip, Reflow , Manual
PJBS-003B	SMT			
PJBM-003B	PCB & SMT			
PJBS-003	SMT			

## Electrical Performance

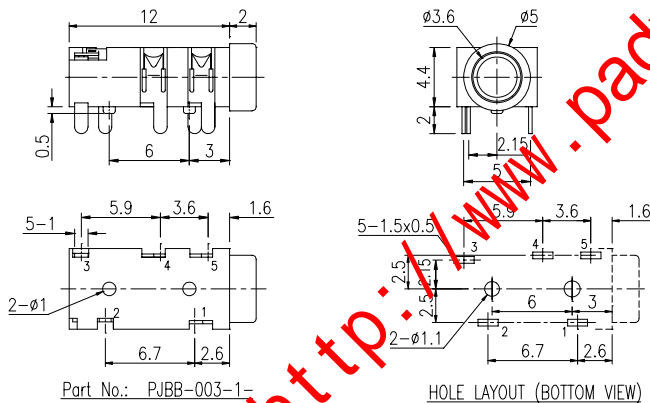
Rating (max.)	Contact resistance	Insulation resistance	Withstand voltage
1A AC / DC 12V	30 mΩ max.	100 MΩ min. 500 V DC	500 V AC for 1 min.

## Mechanical & Solderability Performance

Operating force	Terminal Strength	Solderability	Resistance to soldering heat		
			Dip soldering	Reflow soldering	Manual soldering
0.3~3.0 kgf	0.5 kgf for 60 seconds	245 ± 3 °C	260 °C, 3 seconds	240 °C, 3 seconds	380°C, 3 seconds

## Endurance, Environmental Performance

Operating life without load	Cold	Dry heat	Damp heat
5,000 cycles, 50 mΩ max.	-25 °C for 96 hrs	70 °C for 96 hrs	40 °C, 90 to 95% RH for 96 hrs



Carrier taping available: PJBS-003 / 003B



CIRCUIT DIAGRAM					
PART NO.	PJBB-003-1- PJBM-003B-1- PJBS-003B-1- PJBS-003-1-	PJBB-003-2- PJBM-003B-2- PJBS-003B-2- PJBS-003-2-	PJBB-003-3- PJBM-003B-3- PJBS-003B-3- PJBS-003-3-	PJBB-003-4- PJBM-003B-4- PJBS-003B-4- PJBS-003-4-	PJBB-003-5- PJBM-003B-5- PJBS-003B-5- PJBS-003-5-

Part No.		(*Unmarked dimensions are same as PJBB-003-1-)	
PJBS-003B-1-	PJBM-003B-2-	PJBS-003-1-	
HOLE LAYOUT (BOTTOM VIEW)	HOLE LAYOUT (BOTTOM VIEW)	HOLE LAYOUT (BOTTOM VIEW)	

# HEADPHONE JACK

## Characteristics

Series	Mode	Operating temperature range	Soldering
PJBB-005	Stereo	-10 °C to 60 °C	Dip , Manual
PJBB-006			
PJBS-005			

## Electrical Performance

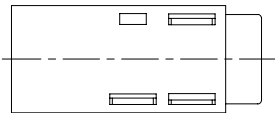
Rating (max.)	Contact resistance	Insulation resistance	Withstand voltage
1A DC/AC 12V	30 mΩ max.	100 MΩ min. 500 V DC	500 V AC for 1 min.

## Mechanical & Solderability Performance

Operating force	Terminal Strength	Solderability	Resistance to soldering heat	
			Dip soldering	Manual soldering
0.5~3.0 kgf	0.5 kgf for 15 seconds	230 ± 5 °C	260 °C , 5 seconds	350°C , 3 seconds

## Endurance, Environmental Performance

Operating life without load	Cold	Dry heat	Damp heat
5,000 cycles , 100 mΩ max.	-25 °C for 48 hrs	70 °C for 48 hrs	40 °C , 90 to 95% RH for 96 hrs



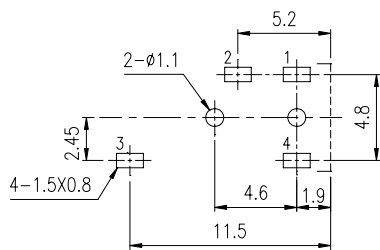
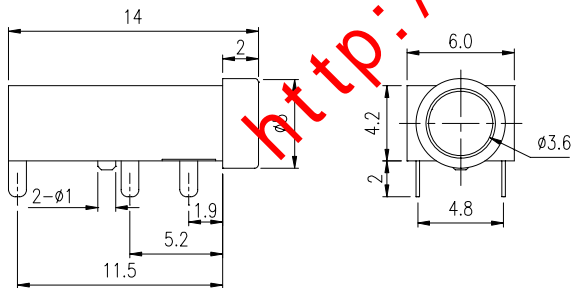
Part No.: PJBB-005



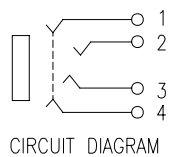
PJBS-005



PJBB-006



HOLE LAYOUT(BOTTOM VIEW)



Part No. : PJBS-005-	PJBB-006-

(\*Unmarked dimensions are same as PJBB-005.)

# HEADPHONE JACK

## Characteristics

Series	Mode	Operating temperature range	Soldering
PJBS-010	Stereo	-25 °C to 70 °C	Reflow , Manual

## Electrical Performance

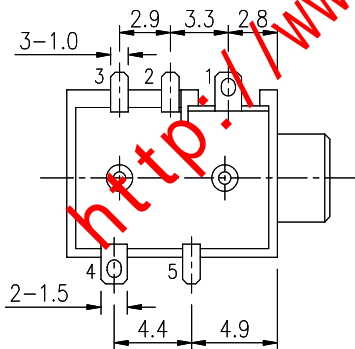
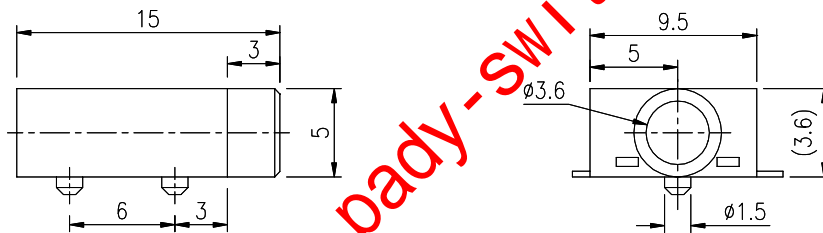
Rating (max.)	Contact resistance	Insulation resistance	Withstand voltage
1A DC/AC 12V	30 mΩ max.	100 MΩ min. 500 V DC	500 V AC for 1 min.

## Mechanical & Solderability Performance

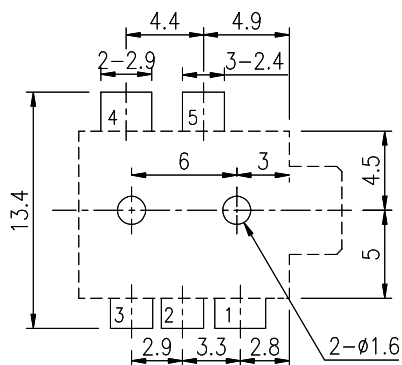
Operating force	Terminal Strength	Solderability	Resistance to soldering heat	
			Reflow soldering	Manual soldering
0.3~3.0 kgf	0.5 kgf for 60 seconds	240 ± 3 °C	240 °C, 5 seconds	380°C, 3 seconds

## Endurance, Environmental Performance

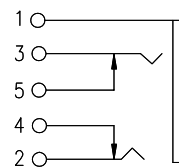
Operating life without load	Cold	Dry heat	Damp heat
5,000 cycles , 50 mΩ max.	-25 °C for 96 hrs	70 °C for 96 hrs	40 °C, 90 to 95% RH for 96 hrs



Carrier taping available



HOLE LAYOUT



CIRCUIT DIAGRAM

# HEADPHONE JACK

## Characteristics

Series	Mode	Operating temperature range	Soldering
PJBS-015	Stereo	-10 °C to 60 °C	Reflow, Manual

## Electrical Performance

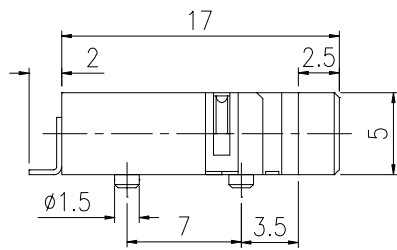
Rating (max.)	Contact resistance	Insulation resistance	Withstand voltage
0.5A DC 16V	30 mΩ max.	100 MΩ min. 500 V DC	500 V AC for 1 min.

## Mechanical & Solderability Performance

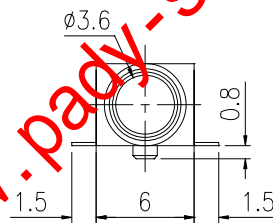
Operating force	Terminal Strength	Solderability	Resistance to soldering heat	
			Reflow soldering	Manual soldering
0.3~2.0 kgf	0.25 kgf for 30 seconds	230 ± 5 °C	240 °C, 5 seconds	350°C, 3 seconds

## Endurance, Environmental Performance

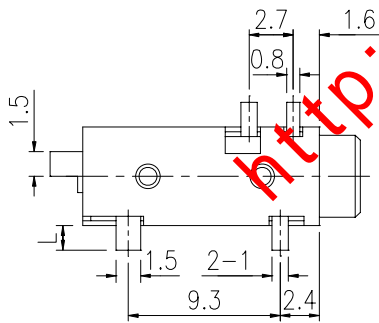
Operating life without load	Cold	Dry heat	Damp heat
5,000 cycles, 100 mΩ max.	-25 °C for 48 hrs	70 °C for 48 hrs	40 °C, 90 to 95% RH for 96 hrs



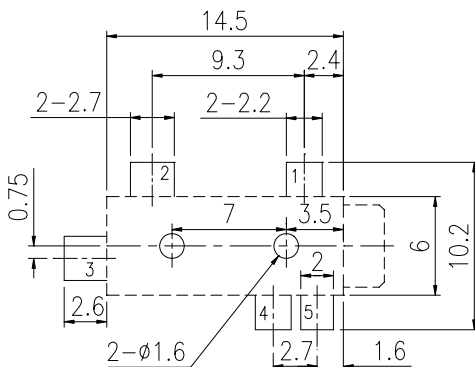
Carrier tape available



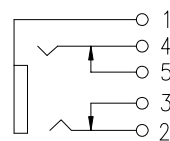
**Part No.: PJBS-015-4**  
**PJBS-015A : L=0.8**



Part No. :	PJBS-015-5	PJBS-015-6
*Unmarked dimensions are same as PJBS-015-4		



HOLE LAYOUT



CIRCUIT DIAGRAM

# HEADPHONE JACK

## Characteristics

Series	Mode	Operating temperature range	Soldering
PJBS-022	Stereo	-20 °C to 70 °C	Reflow , Manual

## Electrical Performance

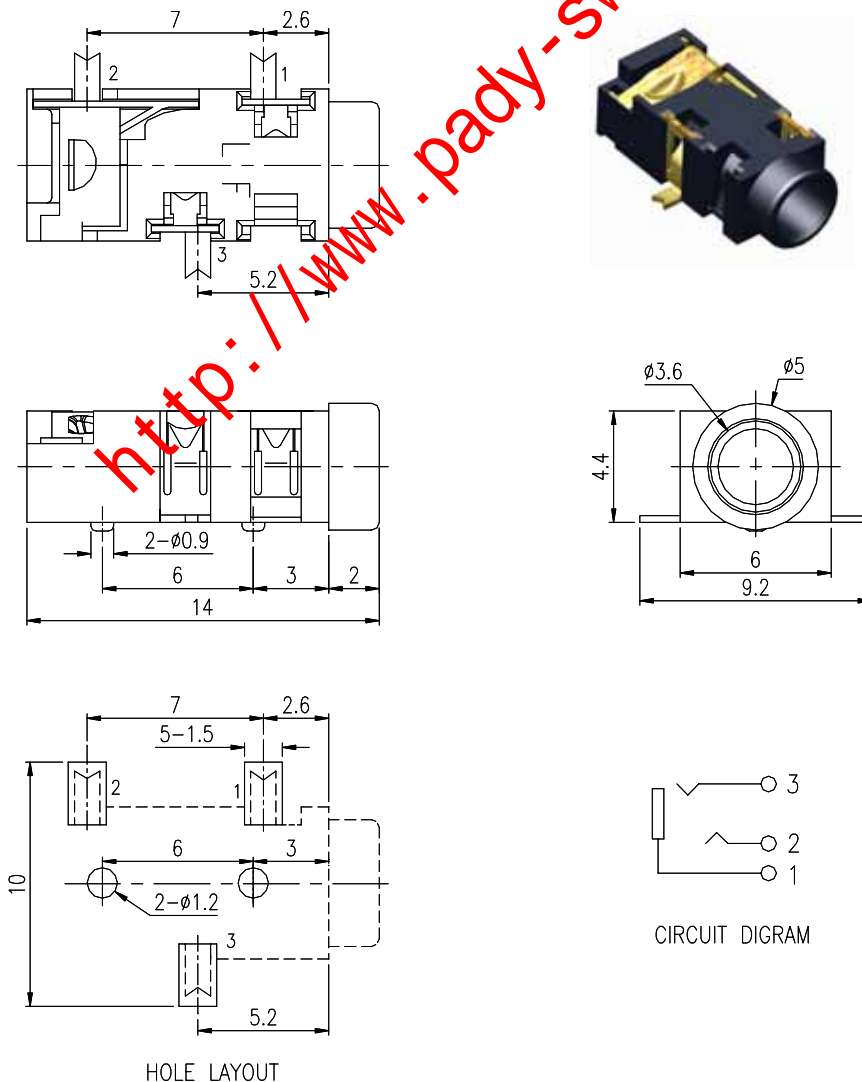
Rating (max.)	Contact resistance	Insulation resistance	Withstand voltage
1A DC 12V	30 mΩ max.	100 MΩ min. 500 V DC	500 V AC for 1 min.

## Mechanical & Solderability Performance

Operating force	Terminal Strength	Solderability	Resistance to soldering heat	
			Reflow soldering	Manual soldering
0.4~3.0 kgf	1.0 kgf for 60 seconds	245 ± 3 °C	240 °C, 5 seconds	380°C, 3 seconds

## Endurance, Environmental Performance

Operating life without load	Operating life with load (load: DC 5V, 0.005A)	Cold	Dry heat	Damp heat
5,000 cycles , 50 mΩ max.	2,000 cycles , 50 mΩ max.	-25 °C for 96 hrs	70 °C for 96 hrs	40 °C, 90 to 95% RH for 96 hrs



HOLE LAYOUT

CIRCUIT DIGRAM

# HEADPHONE JACK

## Characteristics

Series	Terminal styles	Mode	Operating temperature range	Soldering
<b>PJBB-023</b>	PCB	As drawing below	-10 °C to 60 °C	Dip , Reflow, Manual
<b>PJBS-023</b>	SMT			

## Electrical Performance

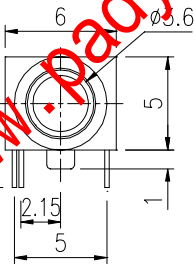
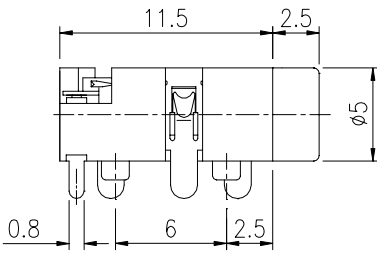
Rating (max.)	Contact resistance	Insulation resistance	Withstand voltage
1A DC 16V	30 mΩ max.	100 MΩ min. 500 V DC	500 V AC for 1 min.

## Mechanical & Solderability Performance

Operating force	Terminal Strength	Solderability	Resistance to soldering heat		
			Dip soldering	Reflow soldering	Manual soldering
0.3~3.0 kgf	0.5 kgf for 15 seconds	230 ± 5 °C	260 °C , 3 seconds	240 °C , 5 seconds	350°C , 3 seconds

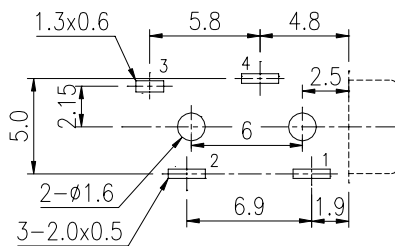
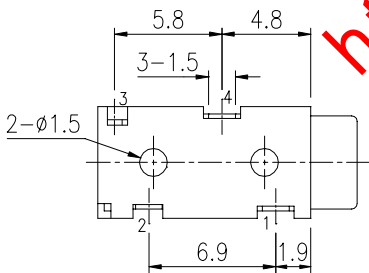
## Endurance, Environmental Performance

Operating life without load	Cold	Dry heat	Damp heat
5,000 cycles , 100 mΩ max.	-25 °C for 48 hrs	70 °C for 48 hrs	40 °C , 90 to 95% RH for 96 hrs

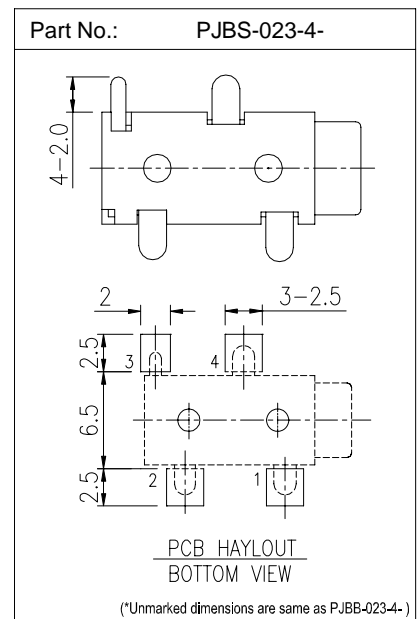


Part No.: PJBB-023-4-

PJBS-023-4-



PCB LAYOUT  
BOTTOM VIEW



MODE	Stereo	Stereo	Stereo
CIRCUIT DIAGRAM			
PART NO.	PJBB-023-1- PJBS-023-1-	PJBB-023-3- PJBS-023-3-	PJBB-023-4- PJBS-023-4-



# HEADPHONE JACK

## Characteristics

Series	Mode	Operating temperature range	Soldering
PJBS-024	Stereo	-20 °C to 70 °C	Reflow, Manual

## Electrical Performance

Rating (max.)	Contact resistance	Insulation resistance	Withstand voltage
0.3A DC 16V	300 mΩ max.	100 MΩ min. 500 V DC	500 V AC for 1 min.

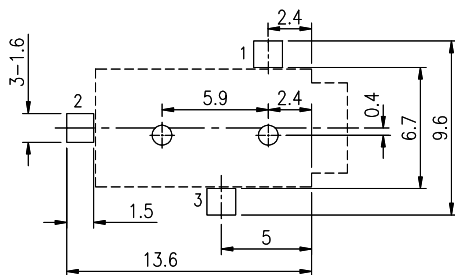
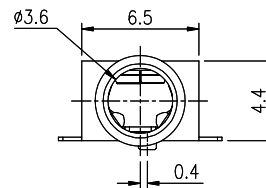
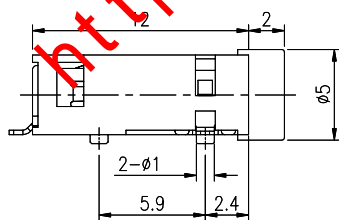
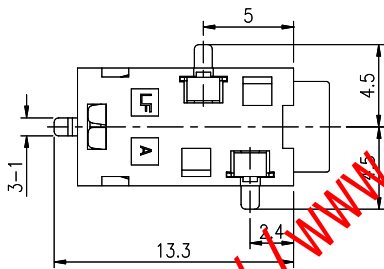
## Mechanical & Solderability Performance

Operating force	Terminal Strength	Solderability	Resistance to soldering heat	
			Reflow soldering	Manual soldering
0.5~3.0 kgf	0.5 kgf for 10 seconds	230 ± 5 °C	240 °C, 5 seconds	350°C, 3 seconds

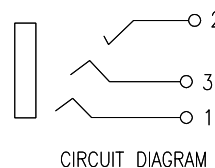
## Endurance, Environmental Performance

Operating life without load	Cold	Dry heat	Damp heat
5,000 cycles, 100 mΩ max.	-40 °C for 240 hrs	70 °C for 240 hrs	40 °C, 90 to 95% RH for 240 hrs

Carrier taping available



HOLE LAYOUT



CIRCUIT DIAGRAM

# HEADPHONE JACK

## Characteristics

Series	Mode	Operating temperature range	Soldering
PJBS-026	Stereo	-25 °C to 85 °C	Reflow ; Manual

## Electrical Performance

Rating (max.)	Contact resistance	Insulation resistance	Withstand voltage
0.3A DC 16V	50 mΩ max.	100 MΩ min. 500 V DC	500 V AC for 1 min.

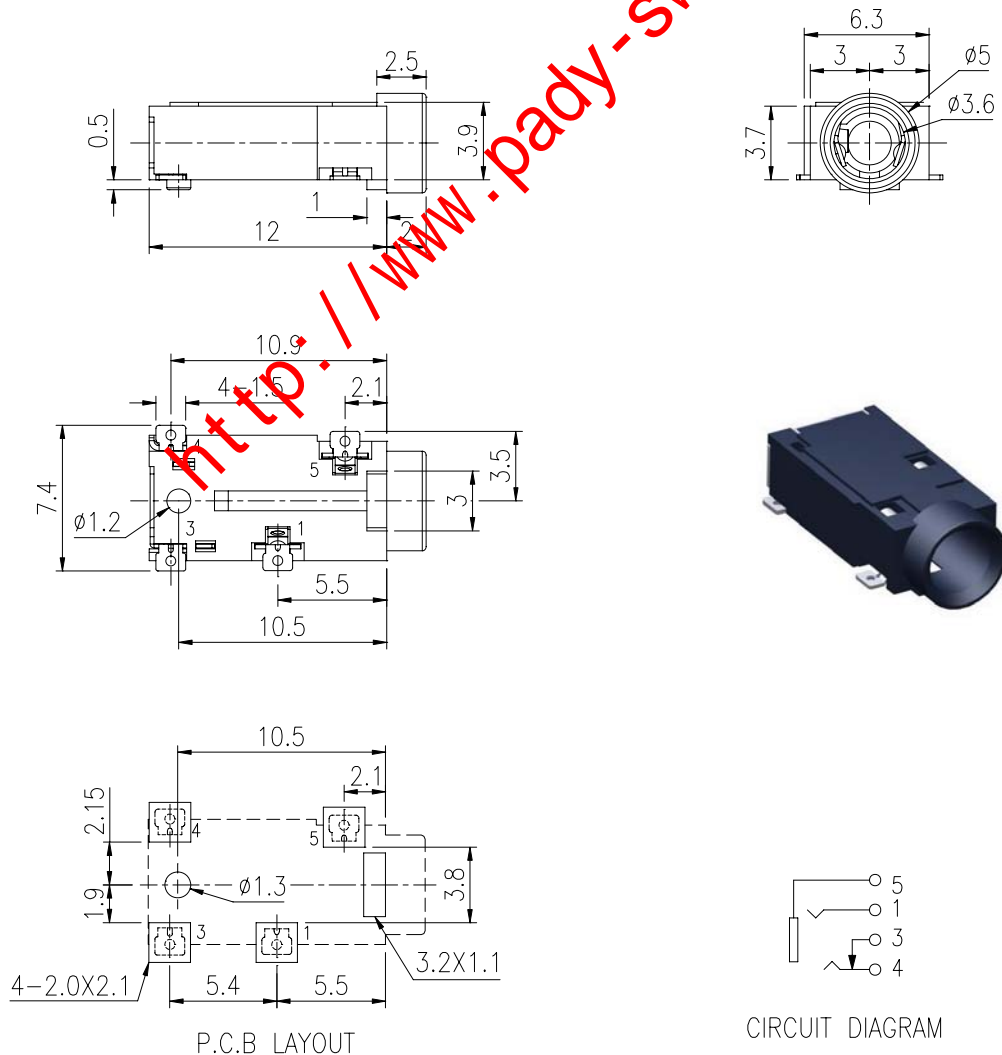
## Mechanical & Solderability Performance

Operating force	Terminal Strength	Solderability	Resistance to soldering heat	
			Reflow soldering	Manual soldering
0.4~3.0 kgf	0.5 kgf for 10 seconds	240 ± 5 °C	240 °C, 5 seconds	350 °C, 3 seconds

## Endurance, Environmental Performance

Operating life without load	Cold	Dry heat	Damp heat
5,000 cycles, 100 mΩ max.	-25 °C for 96 hrs	85 °C for 96 hrs	40 °C, 90 to 95% RH for 96 hrs

Carrier taping available



# HEADPHONE JACK

## Characteristics

Series	Mode	Operating temperature range	Soldering
PJES-029	Stereo	-25 °C to 85 °C	Reflow ; Manual

## Electrical Performance

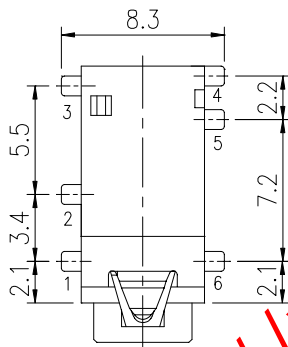
Rating (max.)	Contact resistance	Insulation resistance	Withstand voltage
1A DC 12V	50 mΩ max.	100 MΩ min. 500 V DC	500 V AC for 1 min.

## Mechanical & Solderability Performance

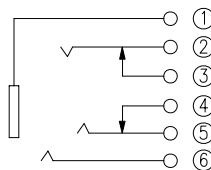
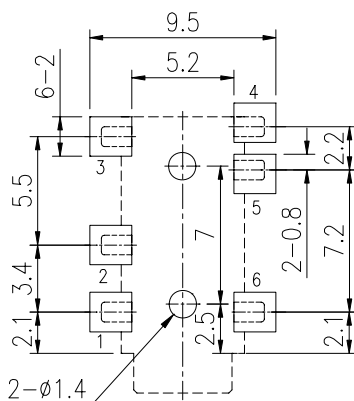
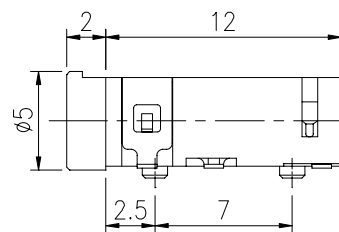
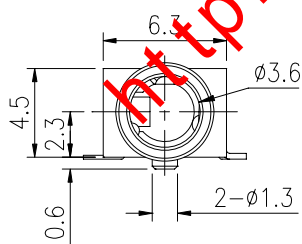
Operating force	Terminal Strength	Solderability	Resistance to soldering heat	
			Reflow soldering	Manual soldering
0.3~3.0 kgf	0.5 kgf for 10 seconds	255 ± 5 °C	255 °C, 40 seconds	350 °C, 3 seconds

## Endurance, Environmental Performance

Operating life without load	Operating life with load (load: as ratings)	Cold	Dry heat	Damp heat
5,000 cycles	100 mΩ max.	-35 °C for 96 hrs	85 °C for 96 hrs	40 °C, 90 to 95% RH for 96 hrs



Carrier taping available



CIRCUIT DIAGRAM

P.C.B LAYOUT

# HEADPHONE JACK

## Characteristics

Series	Mode	Operating temperature range	Soldering
PJBS-033	Stereo	-10 °C to 60 °C	Dip ; Manual

## Electrical Performance

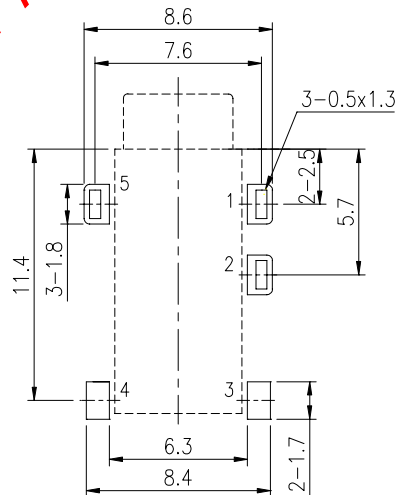
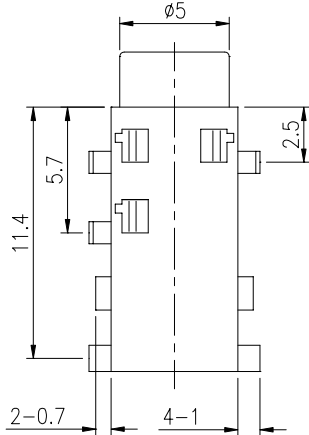
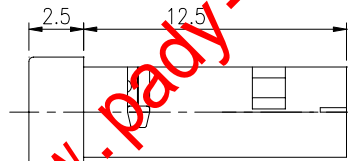
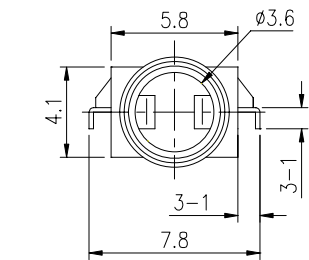
Rating (max.)	Contact resistance	Insulation resistance	Withstand voltage
1A DC 12V	30 mΩ max.	100 MΩ min. 500 V DC	500 V AC for 1 min.

## Mechanical & Solderability Performance

Operating force	Terminal Strength	Solderability	Resistance to soldering heat	
			Dip soldering	Manual soldering
0.3~2.0 kgf	0.3 kgf for 60 seconds	260 ± 5 °C	260 °C, 5 seconds	350 °C, 3 seconds

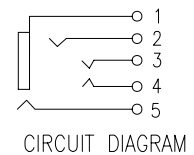
## Endurance, Environmental Performance

Operating life without load	Cold	Dry heat	Damp heat
5,000 cycles, 100 mΩ max.	-25 °C for 96 hrs	70 °C for 96 hrs	40 °C, 90 to 95% RH for 96 hrs



P.C.B LAYOUT

Carrier taping available



# HEADPHONE JACK

## Characteristics

Series	Mode	Operating temperature range	Soldering
PJBS-035	Stereo	-25 °C to 85 °C	Reflow ; Manual

## Electrical Performance

Rating (max.)	Contact resistance	Insulation resistance	Withstand voltage
0.3A DC 16V	30 mΩ max.	100 MΩ min. 500 V DC	500 V AC for 1 min.

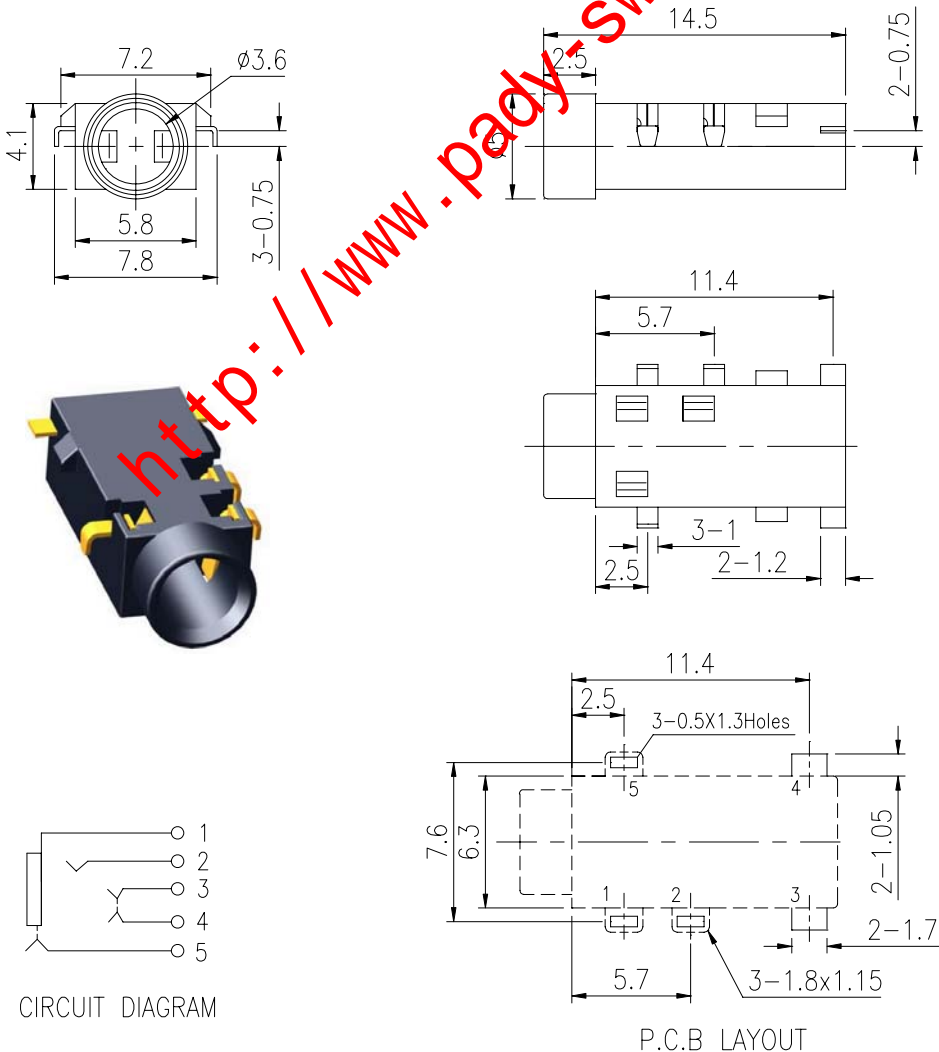
## Mechanical & Solderability Performance

Operating force	Terminal Strength	Solderability	Resistance to soldering heat	
			Reflow soldering	Manual soldering
0.4~3.0 kgf	0.5 kgf for 10 seconds	245 ± 5 °C	250 °C, 5 seconds	350 °C, 3 seconds

## Endurance, Environmental Performance

Operating life without load	Cold	Dry heat	Damp heat
10,000 cycles, 100 mΩ max.	-40 °C for 96 hrs	85 °C for 96 hrs	40 °C, 90 to 95% RH for 96 hrs

Carrier taping available



# HEADPHONE JACK

## Characteristics

Series	Mode	Operating temperature range	Soldering
PJBS-036	Stereo	-25 °C to 85 °C	Reflow ; Manual

## Electrical Performance

Rating (max.)	Contact resistance	Insulation resistance	Withstand voltage
0.3A DC 16V	30 mΩ max.	100 MΩ min. 500 V DC	500 V AC for 1 min.

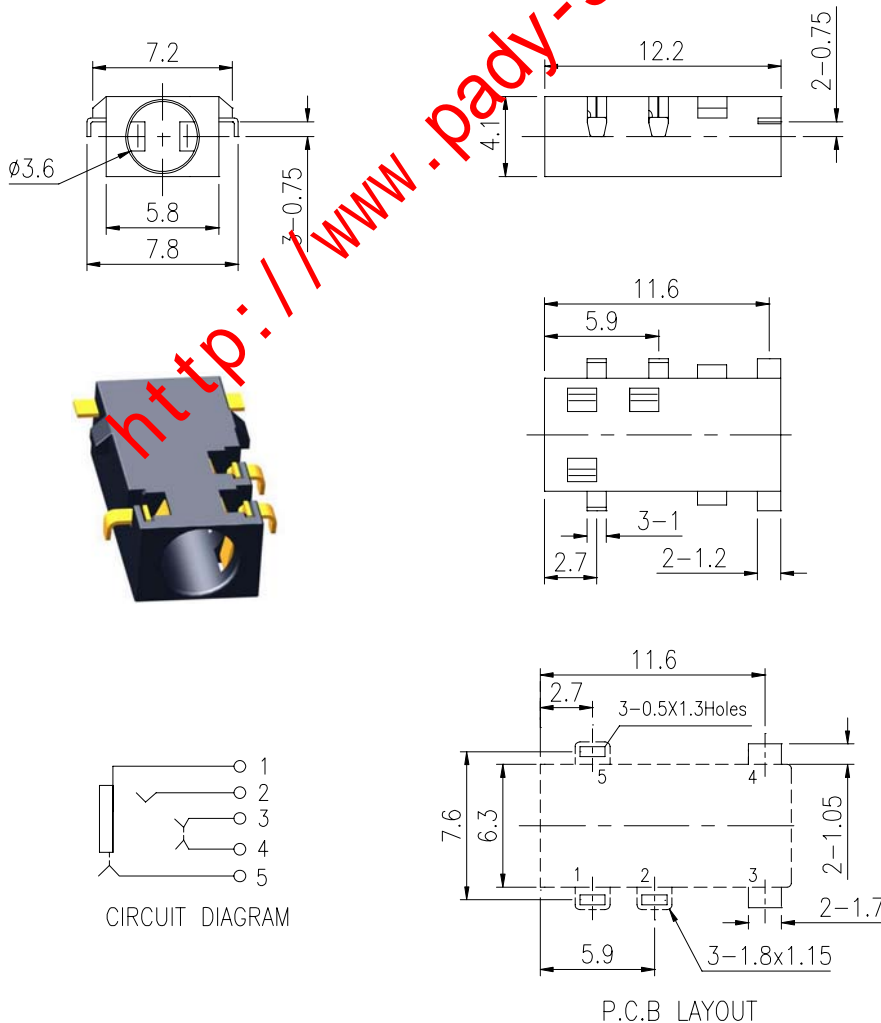
## Mechanical & Solderability Performance

Operating force	Terminal Strength	Solderability	Resistance to soldering heat	
			Reflow soldering	Manual soldering
0.4~3.0 kgf	0.5 kgf for 10 seconds	245 ± 5 °C	250 °C, 5 seconds	350 °C, 3 seconds

## Endurance, Environmental Performance

Operating life without load	Cold	Dry heat	Damp heat
10,000 cycles, 100 mΩ max.	-40 °C for 96 hrs	85 °C for 96 hrs	40 °C, 90 to 95% RH for 96 hrs

Carrier taping available



# HEADPHONE JACK

## Characteristics

Series	Mode	Operating temperature range	Soldering
PJBS-037	Stereo	-25 °C to 85 °C	Reflow ; Manual

## Electrical Performance

Rating (max.)	Contact resistance	Insulation resistance	Withstand voltage
1A DC 12V	100 mΩ max.	100 MΩ min. 500 V DC	500 V AC for 1 min.

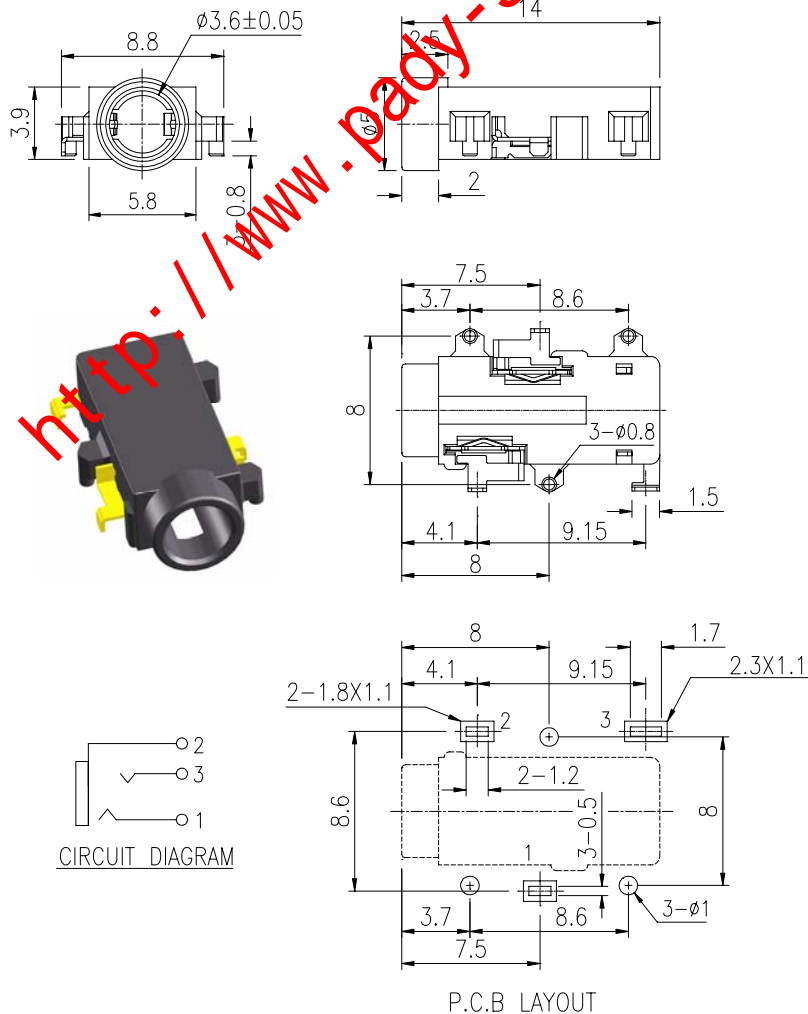
## Mechanical & Solderability Performance

Operating force	Terminal Strength	Solderability	Resistance to soldering heat	
			Reflow soldering	Manual soldering
5~13N	0.5 kgf for 10 seconds	245 ± 5 °C	230 °C, 10 seconds	350 °C, 3 seconds

## Endurance, Environmental Performance

Operating life without load	Cold	Dry heat	Damp heat
3,000 cycles, 100 mΩ max.	-40 °C for 96 hrs	85 °C for 96 hrs	70 °C, 90 to 95% RH for 96 hrs

Carrier taping available



# HEADPHONE JACK

## Characteristics

Series	Mode	Operating temperature range	Soldering
PJBS-038	Stereo	-25 °C to 85 °C	Reflow ; Manual

## Electrical Performance

Rating (max.)	Contact resistance	Insulation resistance	Withstand voltage
0.3A DC 16V	50 mΩ max.	100 MΩ min. 500 V DC	500 V AC for 1 min.

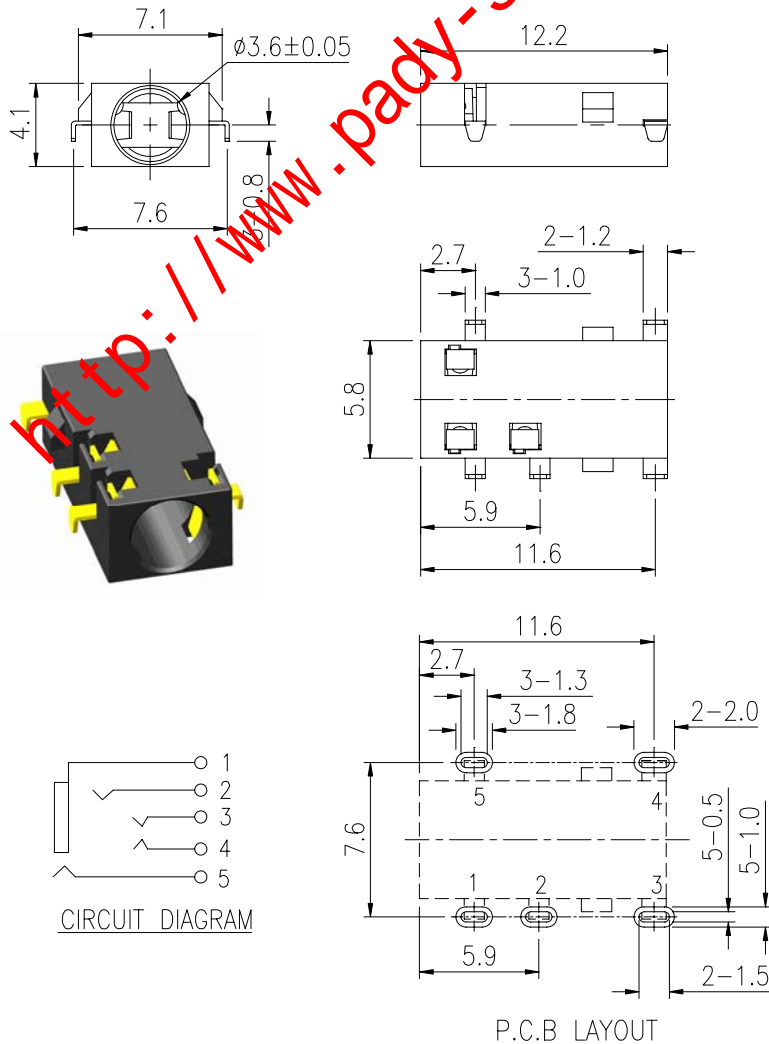
## Mechanical & Solderability Performance

Operating force	Terminal Strength	Solderability	Resistance to soldering heat	
			Reflow soldering	Manual soldering
0.4~3.0 kgf	0.5 kgf for 10 seconds	245 ± 5 °C	230 °C, 10 seconds	350 °C, 3 seconds

## Endurance, Environmental Performance

Operating life without load	Cold	Dry heat	Damp heat
10,000 cycles, 100 mΩ max.	-40 °C for 96 hrs	85 °C for 96 hrs	40 °C, 90 to 95% RH for 96 hrs

Carrier taping available





# HEADPHONE JACK

## Characteristics

Series	Mode	Operating temperature range	Soldering
PJES-040	Stereo	-25 °C to 85 °C	Reflow

## Electrical Performance

Rating (max.)	Contact resistance	Insulation resistance	Withstand voltage
1A DC 12V	50 mΩ max.	100 MΩ min. 500 V DC	500 V AC for 1 min.

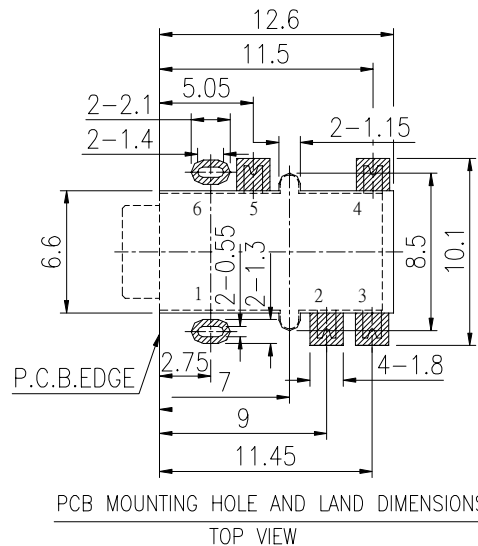
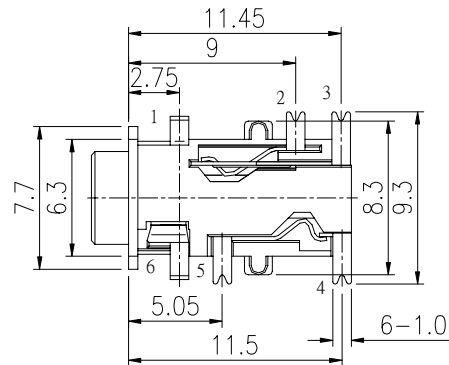
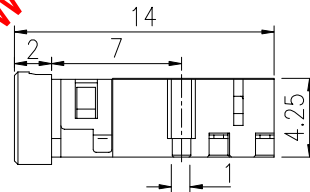
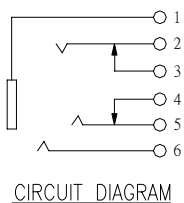
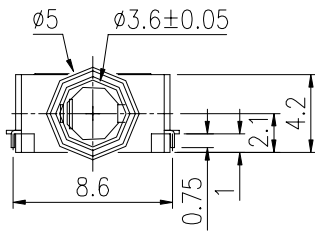
## Mechanical & Solderability Performance

Operating force	Terminal Strength	Solderability	Resistance to soldering heat
			Reflow soldering
0.4 ~ 3.0Kgf	0.5 kgf for 10 seconds	255 ± 5 °C	255 ± 5°C, 10 seconds

## Endurance, Environmental Performance

Operating life without load	Cold	Dry heat	Damp heat
5,000 cycles , 100 mΩ max.	-35 °C for 96 hrs	85 °C for 96 hrs	40 °C , 90 to 95% RH for 96 hrs

Carrier taping available



# HEADPHONE JACK

## Characteristics

Series	Mode	Operating temperature range	Soldering
PJBS-041	Stereo	-25 °C to 85 °C	Reflow

## Electrical Performance

Rating (max.)	Contact resistance	Insulation resistance	Withstand voltage
0.3A DC 16V	As table below	100 M $\Omega$ min. 500 V DC	500 V AC for 1 min.

## Mechanical & Solderability Performance

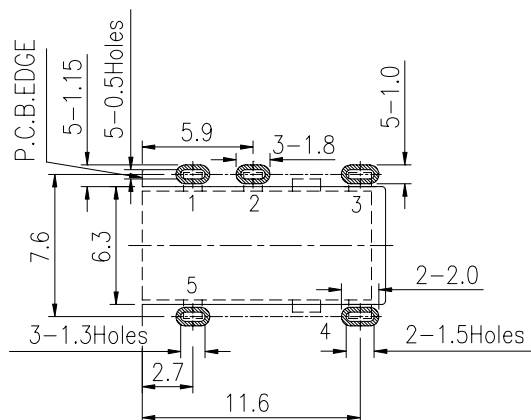
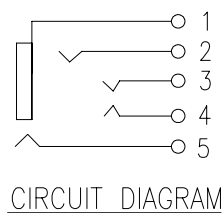
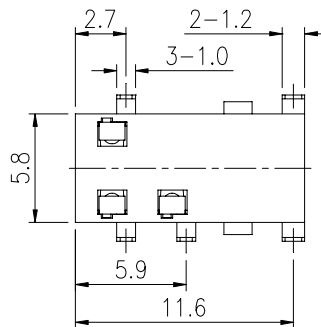
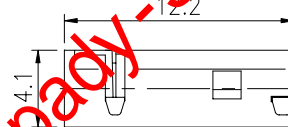
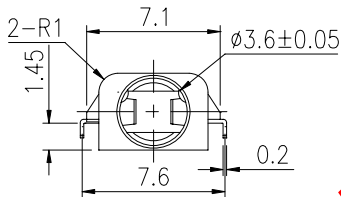
Operating force	Terminal Strength	Solderability	Resistance to soldering heat
			Reflow soldering
0.4 ~3.0 Kgf	0.5 kgf for 10 seconds	255 $\pm$ 5 °C	255 $\pm$ 5°C 10 seconds

## Endurance, Environmental Performance

Operating life without load	Cold	Dry heat	Damp heat
10,000 cycles , 100 m $\Omega$ max.	-40 °C for 96 hrs	85 °C for 96 hrs	40 °C, 90 to 95% RH for 96 hrs

Carrier taping available

Contact Resistance : 30 m $\Omega$  max (between terminals)  
50 m $\Omega$  max (terminal & plug)



P.C.B. LAYOUT

# HEADPHONE JACK

## Characteristics

Series	Mode	Operating temperature range	Soldering
PJES-042	Stereo	-25 °C to 85 °C	Reflow

## Electrical Performance

Rating (max.)	Contact resistance	Insulation resistance	Withstand voltage
1A DC 12V	50 mΩ max.	100 MΩ min. 500 V DC	500 V AC for 1 min.

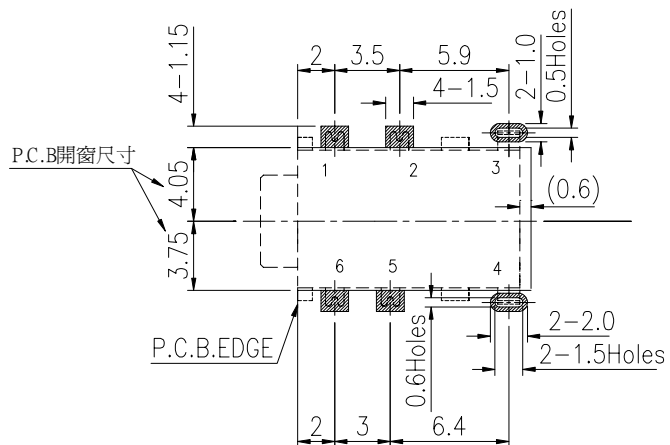
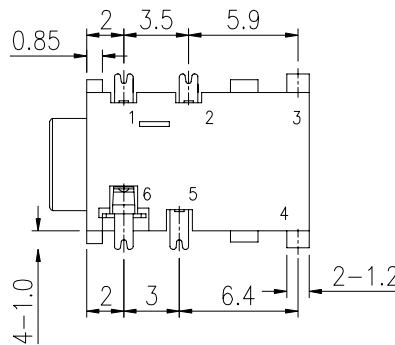
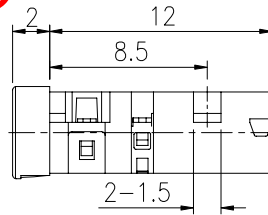
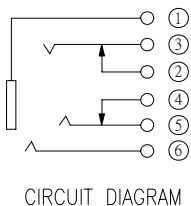
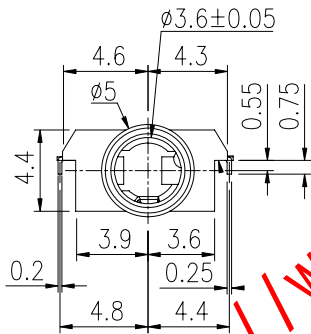
## Mechanical & Solderability Performance

Operating force	Terminal Strength	Solderability	Resistance to soldering heat
			Reflow soldering
0.3 ~ 2.0Kgf	0.5 kgf for 10 seconds	255 ± 5 °C	255 ± 5 °C, 10 seconds

## Endurance, Environmental Performance

Operating life without load	Cold	Dry heat	Damp heat
5,000 cycles , 100 mΩ max.	-35 °C for 96 hrs	85 °C for 96 hrs	40 °C , 90 to 95% RH for 96 hrs

Carrier taping available



# HEADPHONE JACK

## Characteristics

Series	Mode	Operating temperature range	Soldering
PJEM-043	Stereo	-25 °C to 70 °C	Dipping

## Electrical Performance

Rating (max.)	Contact resistance	Insulation resistance	Withstand voltage
1A DC 12V	50 mΩ max.	100 MΩ min. 500 V DC	500 V AC for 1 min.

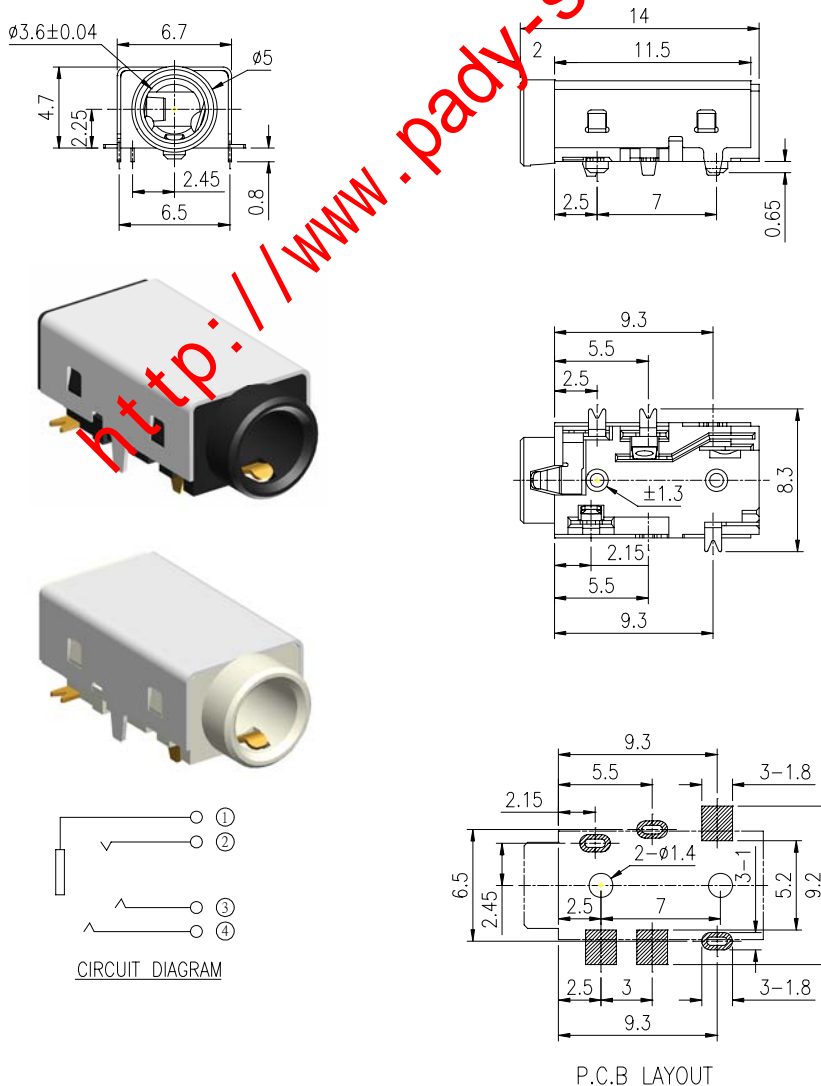
## Mechanical & Solderability Performance

Operating force	Terminal Strength	Solderability	Resistance to soldering heat
			Dipping Soldering
0.4 ~ 3.0Kgf	0.5 kgf for 10 seconds	260 ± 5 °C	260 ± 5 °C , 3 seconds

## Endurance, Environmental Performance

Operating life without load	Cold	Dry heat	Damp heat
10,000 cycles , 100 mΩ max.	-40 °C for 96 hrs	85 °C for 96 hrs	40 °C , 90 to 95% RH for 96 hrs

Carrier taping available









# HEADPHONE JACK

## Characteristics

Series	Mode	Mate Plug	Operating temperature range	Soldering
PJES-052	Stereo & Mic	3.5mm 4 section	-25 °C to 85 °C	Reflow

## Electrical Performance

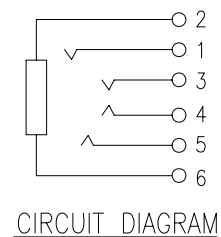
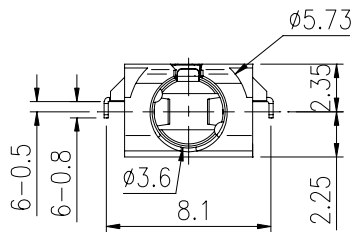
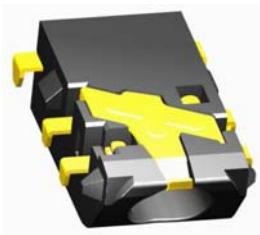
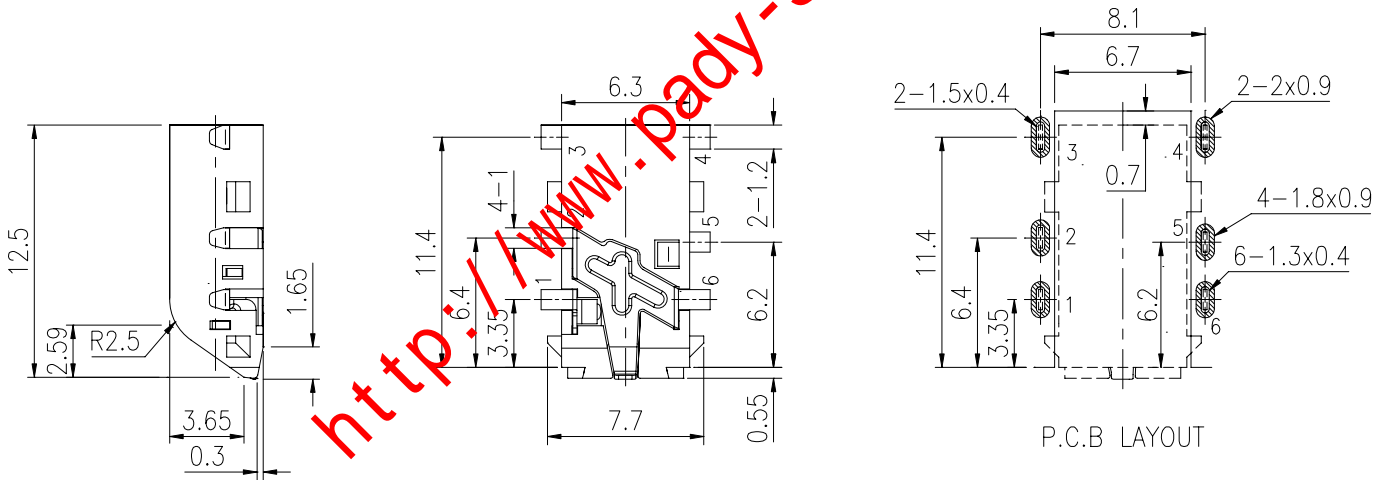
Rating (max.)	Contact resistance	Insulation resistance	Withstand voltage
1A DC 12V	50 mΩ max.	100 MΩ min. 500 V DC	500 V AC for 1 min.

## Mechanical & Solderability Performance

Operating force	Terminal Strength	Solderability	Resistance to soldering heat
			Reflow soldering
0.5~2.0 Kgf	0.5 kgf for 10 seconds	255 ± 5 °C	255 ± 5 °C 10 seconds

## Endurance, Environmental Performance

Operating life without load	Cold	Dry heat	Damp heat
5,000 cycles , 100 mΩ max.	-35 °C for 96 hrs	85 °C for 96 hrs	40 °C, 90 to 95% RH for 96 hrs





# HEADPHONE JACK

## Characteristics

Series	Mode	Mate Plug	Operating temperature range	Soldering
PJES-054	Stereo	3.5mm 4 section	-25 °C to 85 °C	Reflow

## Electrical Performance

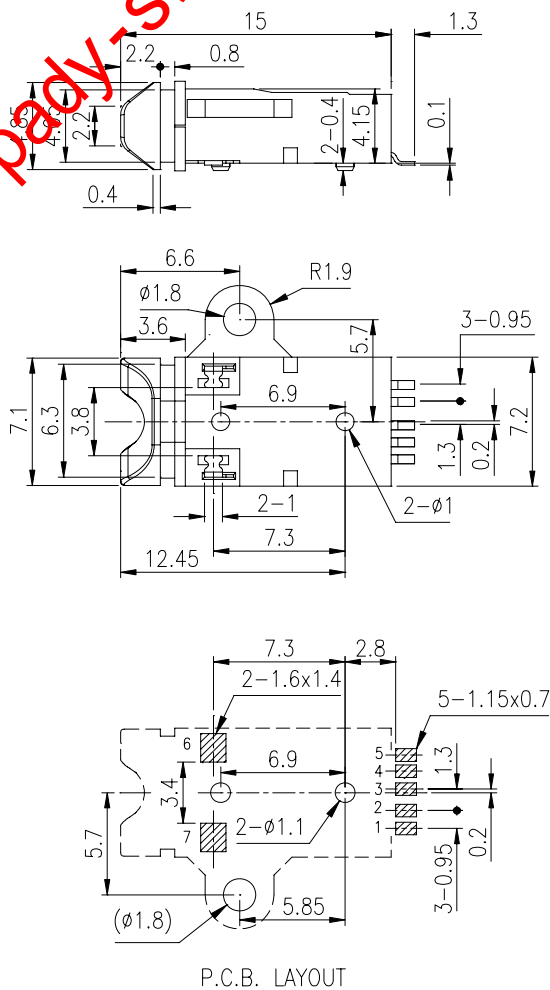
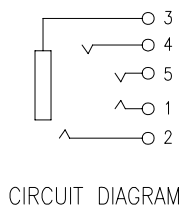
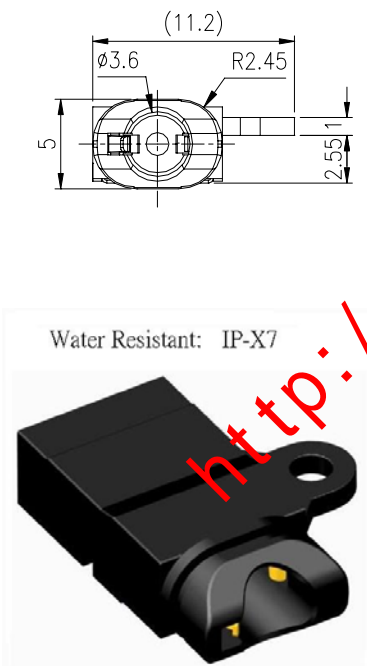
Rating (max.)	Contact resistance	Insulation resistance	Withstand voltage
1A DC 12V	50 mΩ max.	100 MΩ min. 500 V DC	500 V AC for 1 min.

## Mechanical & Solderability Performance

Operating force	Terminal Strength	Solderability	Resistance to soldering heat
			Reflow soldering
0.4~2.0 Kgf	0.5 kgf for 10 seconds	255 ± 5 °C	255 ± 5°C 10 seconds

## Endurance, Environmental Performance

Operating life without load	Cold	Dry heat	Damp heat
5,000 cycles , 100 mΩ max.	-35 °C for 96 hrs	85 °C for 96 hrs	40 °C, 90 to 95% RH for 96 hrs





# HEADPHONE JACK

## Characteristics

Series	Mode	Mate Plug	Operating temperature range	Soldering
PJES-057	Stereo	3.5mm 4 section	-25 °C to 85 °C	Reflow

## Electrical Performance

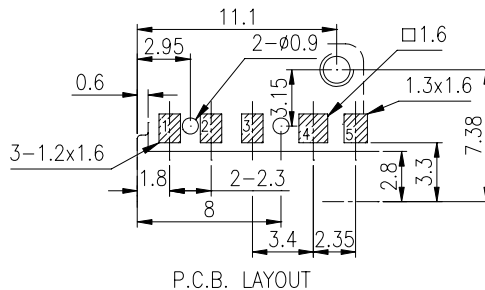
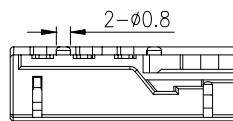
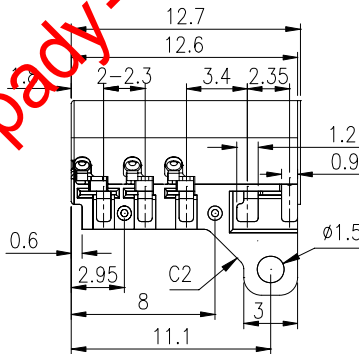
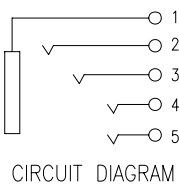
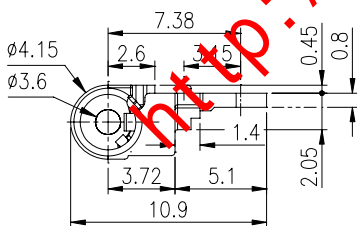
Rating (max.)	Contact resistance	Insulation resistance	Withstand voltage
1A DC 12V	50 mΩ max.	100 MΩ min. 500 V DC	500 V AC for 1 min.

## Mechanical & Solderability Performance

Operating force	Terminal Strength	Solderability	Resistance to soldering heat
			Reflow soldering
0.5~2.0 Kgf	0.5 kgf for 10 seconds	255 ± 5 °C	255 ± 5°C 10 seconds

## Endurance, Environmental Performance

Operating life without load	Cold	Dry heat	Damp heat
5,000 cycles , 100 mΩ max.	-35 °C for 96 hrs	85 °C for 96 hrs	40 °C, 90 to 95% RH for 96 hrs



# HEADPHONE JACK

## Characteristics

Series	Mode	Mate Plug	Operating temperature range	Soldering
PJES-058	Stereo	3.5mm 4 section	-25 °C to 85 °C	Reflow

## Electrical Performance

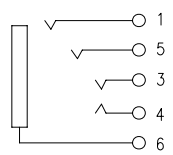
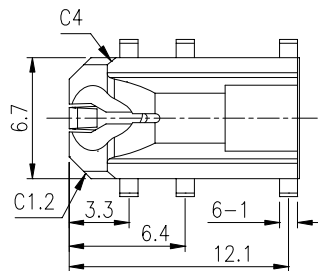
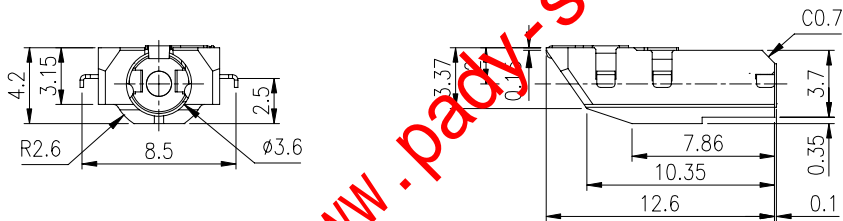
Rating (max.)	Contact resistance	Insulation resistance	Withstand voltage
1A DC 12V	50 mΩ max.	100 MΩ min. 500 V DC	500 V AC for 1 min.

## Mechanical & Solderability Performance

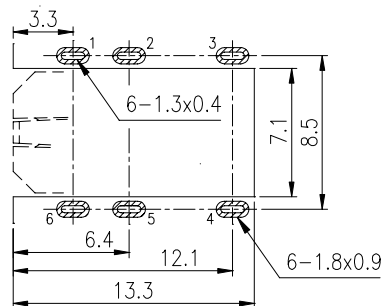
Operating force	Terminal Strength	Solderability	Resistance to soldering heat
			Reflow soldering
0.5~2.0 Kgf	0.5 kgf for 10 seconds	255 ± 5 °C	255 ± 5 °C 10 seconds

## Endurance, Environmental Performance

Operating life without load	Cold	Dry heat	Damp heat
5,000 cycles , 100 mΩ max.	-35 °C for 96 hrs	85 °C for 96 hrs	40 °C, 90 to 95% RH for 96 hrs



CIRCUIT DIAGRAM



P.C.B. LAYOUT

# HEADPHONE JACK

## Characteristics

Series	Mode	Mate Plug	Operating temperature range	Soldering
PJES-059	Stereo	3.5mm 4 section	-25 °C to 85 °C	Reflow

## Electrical Performance

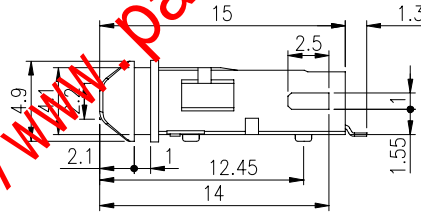
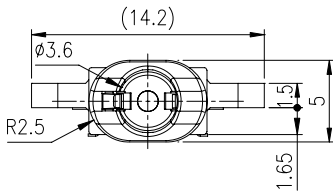
Rating (max.)	Contact resistance	Insulation resistance	Withstand voltage
1A DC 12V	50 mΩ max.	100 MΩ min. 500 V DC	500 V AC for 1 min.

## Mechanical & Solderability Performance

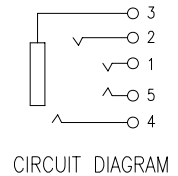
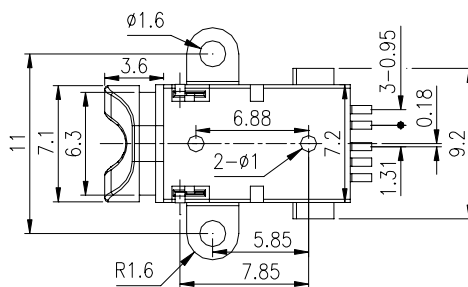
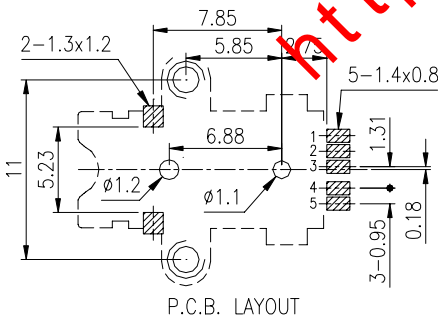
Operating force	Terminal Strength	Solderability	Resistance to soldering heat
			Reflow soldering
0.51~2.04 Kgf	0.5 kgf for 10 s	255 ± 5 °C	260 ± 5 °C 10 s

## Endurance, Environmental Performance

Operating life without load	Cold	Dry heat	Damp heat
5,000 cycles , 100 mΩ max.	-40 °C for 96 hrs	85 °C for 96 hrs	85 °C, 90 to 95% RH for 96 hrs



Water Resistance: IP-X7



# HEADPHONE JACK

## Characteristics

Series	Mode	Mate Plug	Operating temperature range	Soldering
PJES-060	Stereo	3.5mm 4 section	-25 °C to 85 °C	Reflow

## Electrical Performance

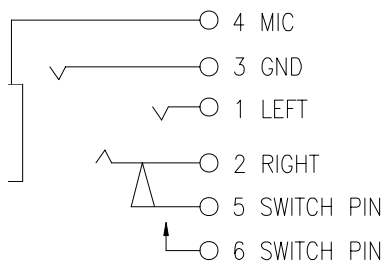
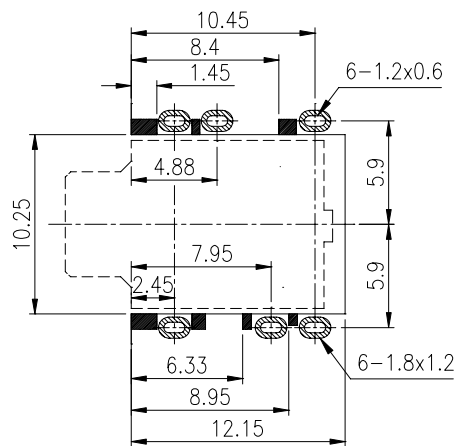
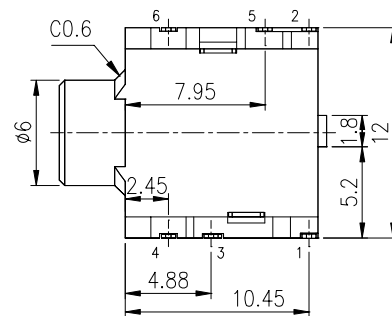
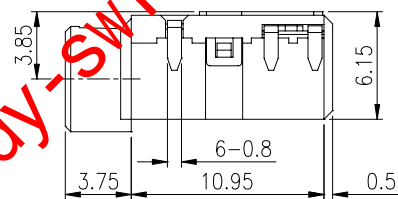
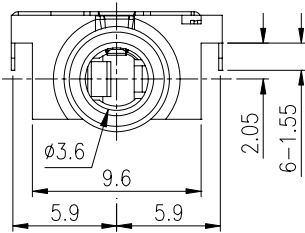
Rating (max.)	Contact resistance	Insulation resistance	Withstand voltage
1A DC 36V	50 mΩ max.	100 MΩ min. 500 V DC	500 V AC for 1 min.

## Mechanical & Solderability Performance

Operating force	Terminal Strength	Solderability	Resistance to soldering heat
			Reflow soldering
0.4~3.0 Kgf	0.5 kgf for 10 s	255 ± 5 °C	250 ± 5 °C 10 s

## Endurance, Environmental Performance

Operating life without load	Cold	Dry heat	Damp heat
5,000 cycles , 100 mΩ max.	-40 °C for 96 hrs	85 °C for 96 hrs	85 °C, 90 to 95% RH for 96 hrs



CIRCUIT DIAGRAM

P.C.B. LAYOUT  
 STAND OFF AREA

# HEADPHONE JACK

## Characteristics

Series	Mode	Mate Plug	Operating temperature range	Soldering
PJES-061	Stereo	3.5mm 4 section	-25 °C to 85 °C	Reflow

## Electrical Performance

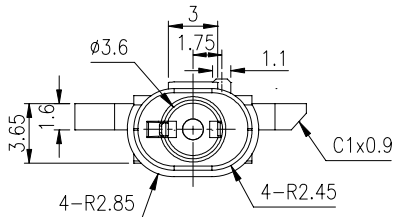
Rating (max.)	Contact resistance	Insulation resistance	Withstand voltage
1A DC 12V	50 mΩ max.	100 MΩ min. 500 V DC	500 V AC for 1 min.

## Mechanical & Solderability Performance

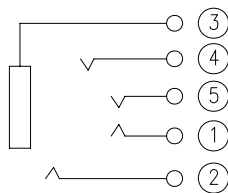
Operating force	Terminal Strength	Solderability	Resistance to soldering heat
			Reflow soldering
0.4~2.0 Kgf	0.5 kgf for 10 s	255 ± 5 °C	255 ± 5 °C 10 s

## Endurance, Environmental Performance

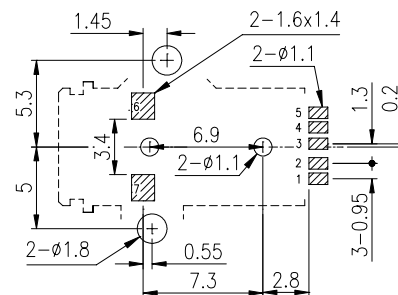
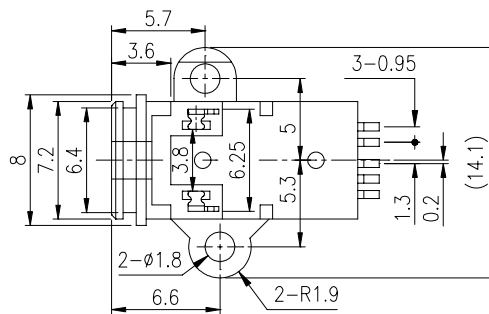
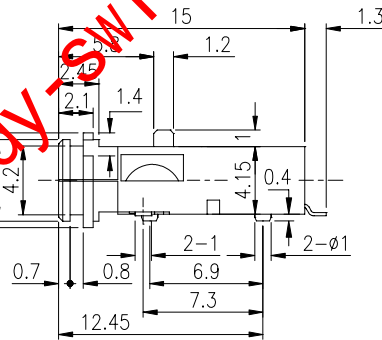
Operating life without load	Cold	Dry heat	Damp heat
5,000 cycles , 100 mΩ max.	-35 °C for 96 hrs	85 °C for 96 hrs	40 °C, 90 to 95% RH for 96 hrs



Water Resistance: IP X8



CIRCUIT DIAGRAM



F.P.C LAYOUT

# HEADPHONE JACK

## Characteristics

Series	Mode	Mate Plug	Operating temperature range	Soldering
PJES-062	Stereo	3.5mm 4 section	-25 °C to 85 °C	Manual , Reflow

## Electrical Performance

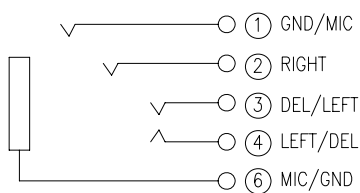
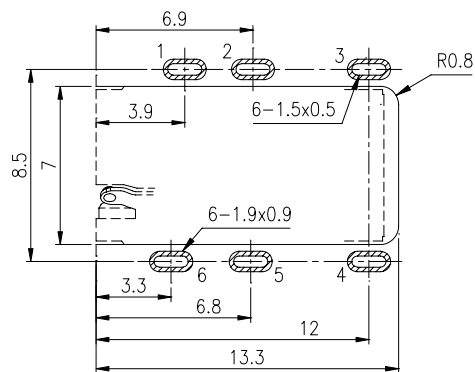
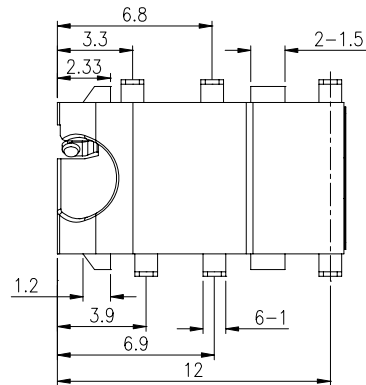
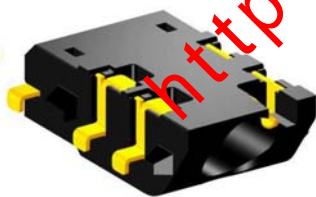
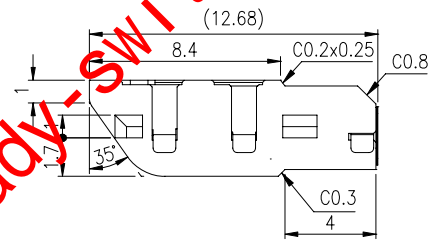
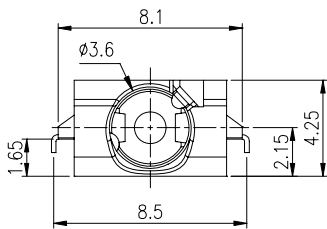
Rating (max.)	Contact resistance	Insulation resistance	Withstand voltage
1A DC 12V	50 mΩ max.	100 MΩ min. 500 V DC	500 V AC for 1 min.

## Mechanical & Solderability Performance

Operating force	Terminal Strength	Solderability	Resistance to soldering heat	
			Manual soldering	Reflow soldering
0.51~2.04 Kgf	0.5 kgf for 10 s	245°C	400°C 5 s	260 ± 5°C 10 s

## Endurance, Environmental Performance

Operating life without load	Cold	Dry heat	Damp heat
5,000 cycles , 100 mΩ max.	-40 °C for 96 hrs	85 °C for 96 hrs	85 °C, 90 to 95% RH for 96 hrs



CIRCUIT DIAGRAM

F.P.C LAYOUT



# HEADPHONE JACK

## Characteristics

Series	Mode	Mate Plug	Operating temperature range	Soldering
PJES-063	Stereo	3.5mm 4 section	-25 °C to 85 °C	Manual , Reflow

## Electrical Performance

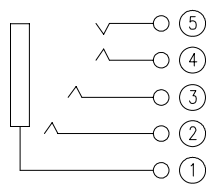
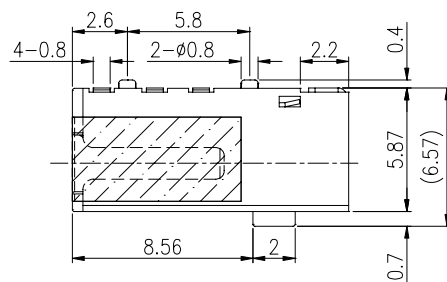
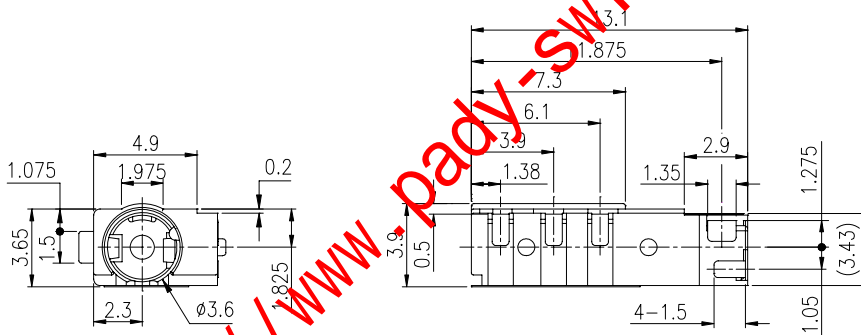
Rating (max.)	Contact resistance	Insulation resistance	Withstand voltage
1A DC 12V	50 mΩ max.	100 MΩ min. 500 V DC	500 V AC for 1 min.

## Mechanical & Solderability Performance

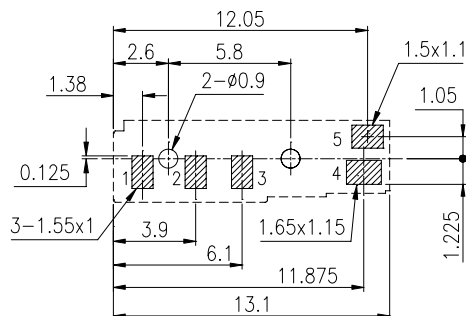
Operating force	Terminal Strength	Solderability	Resistance to soldering heat	
			Manual soldering	Reflow soldering
0.51~2.04 Kgf	0.5 kgf for 10 s	245°C	400°C 5 s	260 ± 5°C 10 s

## Endurance, Environmental Performance

Operating life without load	Cold	Dry heat	Damp heat
5,000 cycles , 100 mΩ max.	-40 °C for 96 hrs	85 °C for 96 hrs	40 °C, 90 to 95% RH for 96 hrs



CIRCUIT DIAGRAM



F.P.C LAYOUT

# HEADPHONE JACK

## Characteristics

Series	Mode	Mate Plug	Operating temperature range	Soldering
PJES-064	Stereo	3.5mm 4 section	-25 °C to 85 °C	Reflow

## Electrical Performance

Rating (max.)	Contact resistance	Insulation resistance	Withstand voltage
1A DC 12V	50 mΩ max.	100 MΩ min. 500 V DC	500 V AC for 1 min.

## Mechanical & Solderability Performance

Operating force	Terminal Strength	Solderability	Resistance to soldering heat
			Reflow soldering
0.51~2.04 Kgf	0.5 kgf for 10 s	255 ± 5 °C	255 ± 5 °C 10 s

## Endurance, Environmental Performance

Operating life without load	Cold	Dry heat	Damp heat
5,000 cycles , 100 mΩ max.	-35 °C for 96 hrs	85 °C for 96 hrs	40 °C, 90 to 95% RH for 96 hrs

