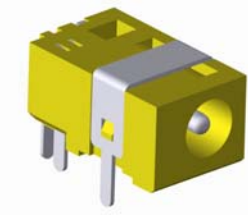


# DC POWER JACK

DCJ-01



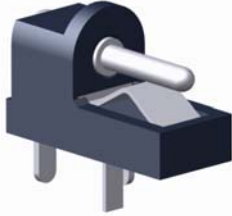
DCJ-02



DCJ-03



DCJ-04



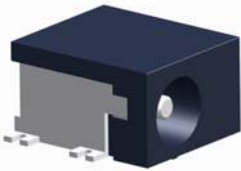
DCJ-05



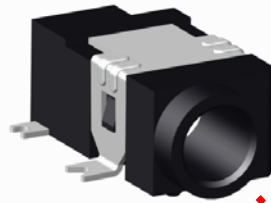
DCJ-06



DCJ-07



DCJ-08



DCJ-09



DCJ-11



DCJ-12



DCJ-18



DCJ-18-P1.3-SMT



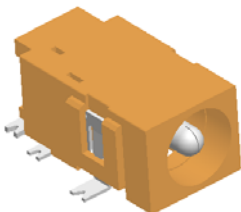
DCJ-19



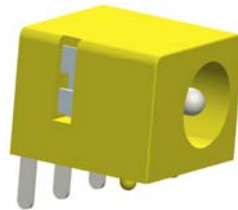
DCJ-20



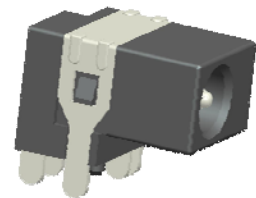
DCJ-21



DCJ-22



DCJ-25



DCJ-28



<http://www.pady-switch.com>

# DC POWER JACK

## Characteristics

Series	Pin dimension	Operating temperature range	Soldering
DCJ-01	$\phi 1.6$ (Dia.) x 8.2 mm (L)	-10 °C to 60 °C	Dip , Manual
DCJ-05	$\phi 1.3$ (Dia.) x 8.2 mm (L)		

## Electrical Performance

Rating (max.)	Contact resistance	Insulation resistance	Withstand voltage
2A 6.3V DC	30 m $\Omega$ max.	100 M $\Omega$ min. 500 V DC	500 V AC for 1 min.

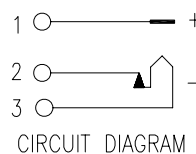
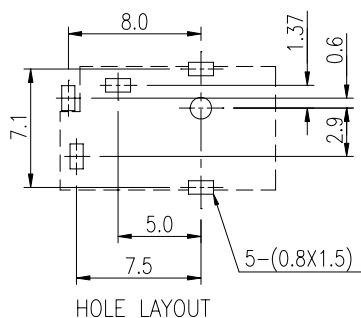
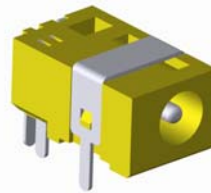
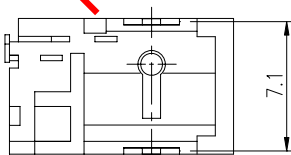
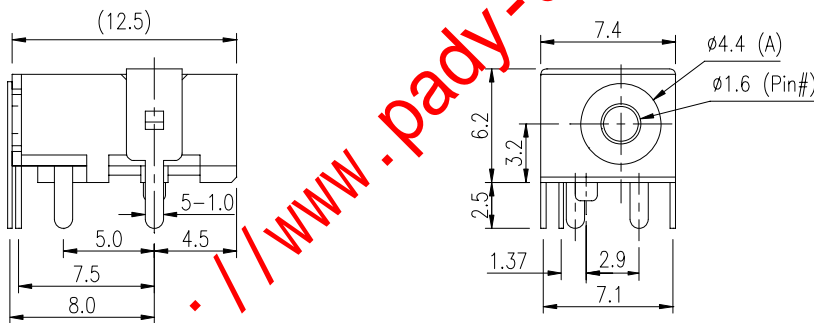
## Mechanical & Solderability Performance

Operating force	Terminal Strength	Solderability	Resistance to soldering heat	
			Dip soldering	Manual soldering
IN: 0.4~3.0 kgf OUT: 0.3~2.0kgf	0.5 kgf for 60 seconds	230 $\pm$ 5 °C	260 °C, 10 seconds	350°C, 3 seconds

## Endurance, Environmental Performance

Operating life without load	Cold	Dry heat	Damp heat
5,000 cycles , 100 m $\Omega$ max.	-25 °C for 2 hrs	85 °C for 96 hrs	40 °C, 90 to 95% RH for 96 hrs

Part No.: DCJ-05 A= 028



# DC POWER JACK

## Characteristics

Series	Pin dimension	Operating temperature range	Soldering
DCJ-02	φ2.0 (Dia.) x 7.1mm (L)	-10 °C to 60 °C	Dip
DCJ-03			

## Electrical Performance

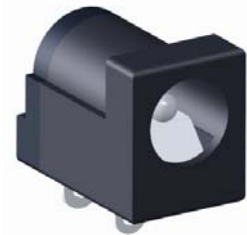
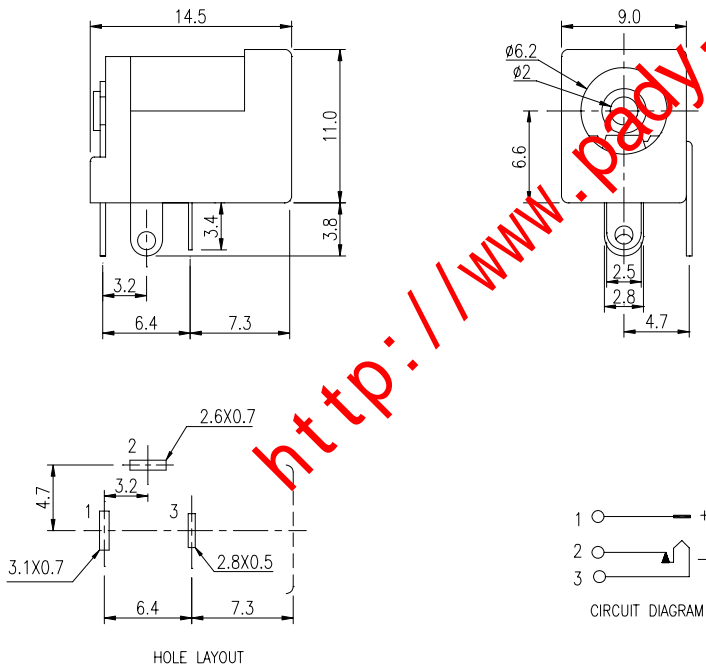
Rating (max.)	Contact resistance	Insulation resistance	Withstand voltage
0.5A 50V DC	30 mΩ max.	100 MΩ min. 500 V DC	500 V AC for 1 min.

## Mechanical & Solderability Performance

Operating force	Terminal Strength	Solderability	Resistance to soldering heat
			Dip soldering
0.8~2.0 kgf	0.5 kgf for 10 seconds	260 ± 5 °C	320 °C, 3 seconds

## Endurance, Environmental Performance

Operating life without load	Cold	Dry heat	Damp heat
5,000 cycles, 100 mΩ max.	-25 °C for 2 hrs	70 °C for 96 hrs	40 °C, 90 to 95% RH for 96 hrs



Available :

pin diameter: φ2.5

length : 6.4mm

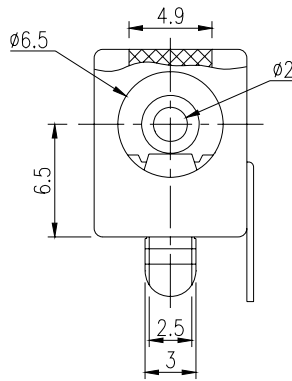
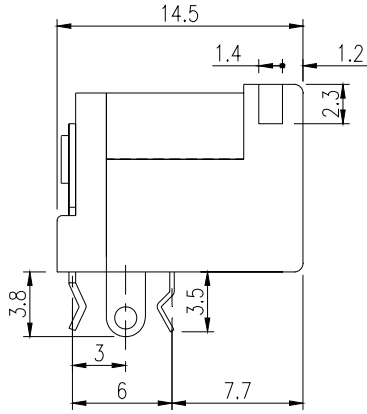
pin mouth diameter of case : φ6.5

Part No.:	DCJ-02A	DCJ-02B	DCJ-02C

Unmarked dimensions are same as DCJ-02.

Part No.:

DCJ-03

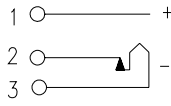
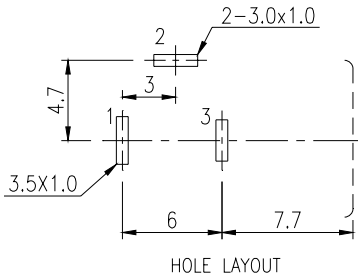


Available :

pin diameter:  $\phi 2.5$

length : 8.8 mm

pin mouth diameter of case :  $\phi 6.5$



CIRCUIT DIAGRAM

\*Unmarked dimensions are same as DCJ-02.

DCJ-02/03 Series P.:2/2 26-3-2007

<http://www.pady-switch.com>

# DC POWER JACK

## Characteristics

Series	Pin dimension	Operating temperature range	Soldering
DCJ-04	φ1.3 (Dia.) x 6mm (L)	-20 °C to 70 °C	Dip

## Electrical Performance

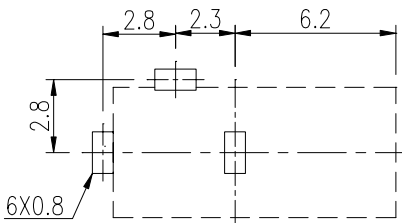
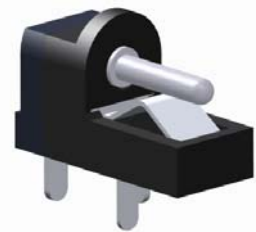
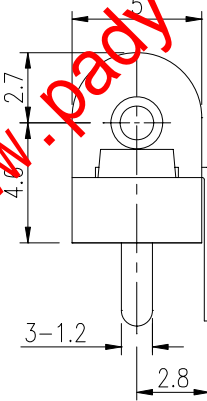
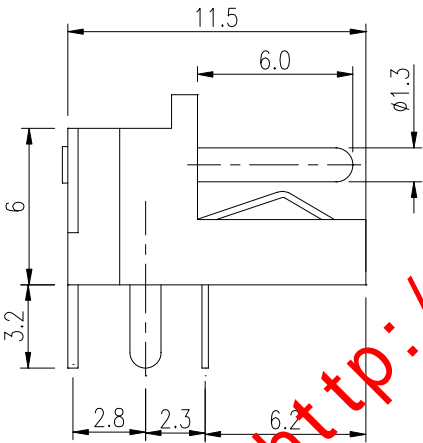
Rating (max.)	Contact resistance	Insulation resistance	Withstand voltage
0.5A 6V DC	30 mΩ max.	100 MΩ min. 500 V DC	250 V AC for 1 min.

## Mechanical & Solderability Performance

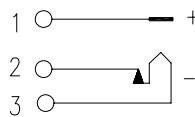
Operating force	Terminal Strength	Solderability	Resistance to soldering heat
			Dip soldering
IN : 0.1~0.6kgf OUT : 0.3~1kgf	0.5 kgf for 10 seconds	260 ± 5 °C	320 °C, 3 seconds

## Endurance, Environmental Performance

Operating life without load	Operating life with load (load: as rating)	Cold	Dry heat	Damp heat
5,000 cycles , 100 mΩ max.	5,000 cycles , 100 mΩ max.	-25 °C for 2 hrs	70 °C for 96 hrs	40 °C, 90 to 95% RH for 96 hrs



HOLE LAYOUT



CIRCUIT DIAGRAM

# DC POWER JACK

## Characteristics

Series	Pin dimension	Operating temperature range	Soldering
DCJ-06	φ1.3 (Dia.) x 7.45mm (L)	-10 °C to 60 °C	Dip ; Manual

## Electrical Performance

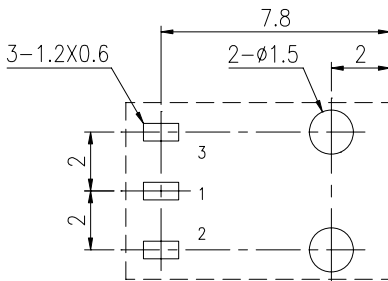
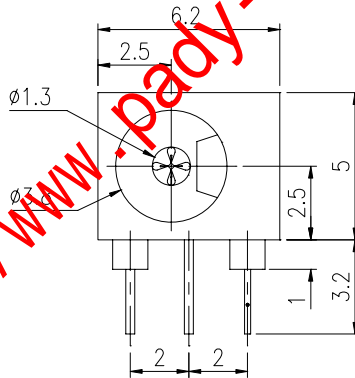
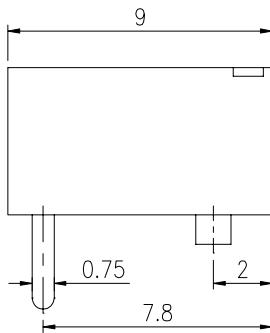
Rating (max.)	Contact resistance	Insulation resistance	Withstand voltage
0.5A 12V DC	30 mΩ max.	100 MΩ min. 500 V DC	500 V AC for 1 min.

## Mechanical & Solderability Performance

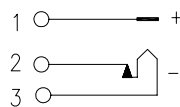
Operating force	Terminal Strength	Solderability	Resistance to soldering heat	
			Dip soldering	Manual soldering
0.3~2.0kgf	0.5 kgf for 60 seconds	260 ± 5 °C	320 °C, 3 seconds	350°C , 3 seconds

## Endurance, Environmental Performance

Operating life without load	Cold	Dry heat	Damp heat
5,000 cycles , 100 mΩ max.	-25 °C for 2 hrs	70 °C for 96 hrs	40 °C , 90 to 95% RH for 96 hrs



HOLE LAYOUT



CIRCUIT DIAGRAM

<http://www.pady-switch.com>

# DC POWER JACK

## Characteristics

Series	Pin dimension	Operating temperature range	Soldering
DCJ-07	φ1.3 (Dia.) x 5.3mm (L)	-10 °C to 60 °C	Dip ; Manual

## Electrical Performance

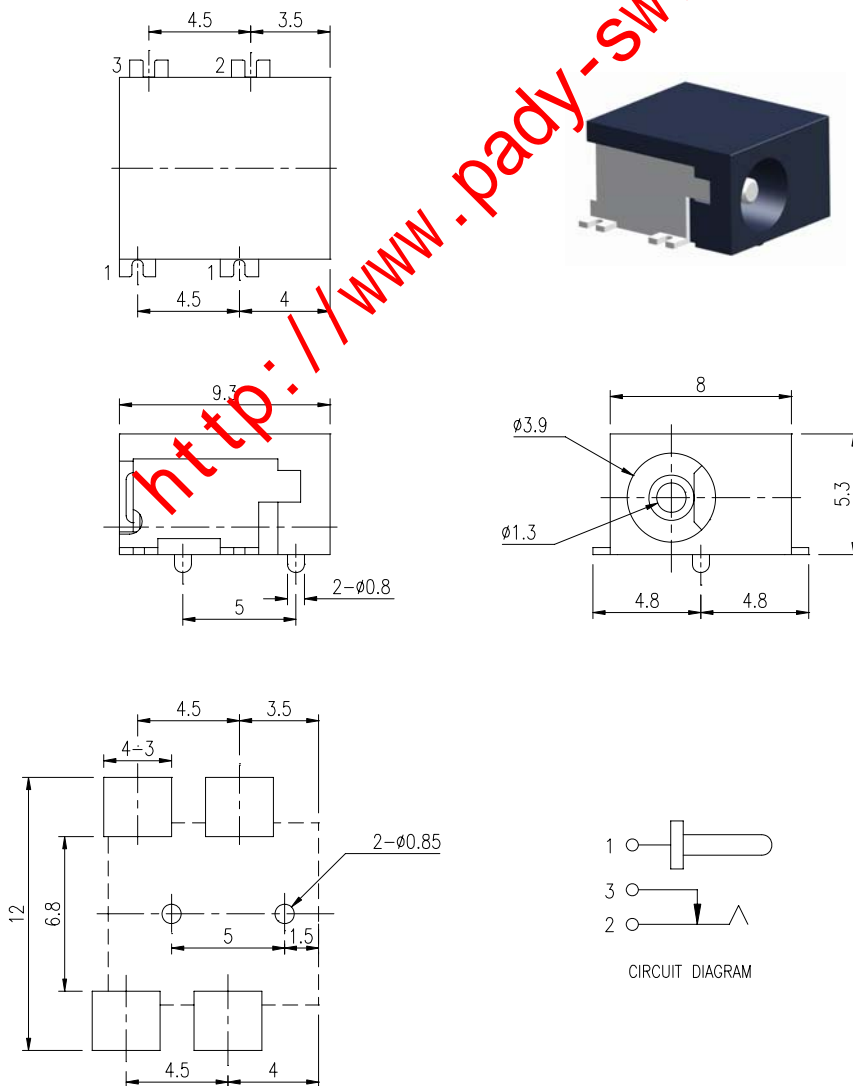
Rating (max.)	Contact resistance	Insulation resistance	Withstand voltage
0.5A 12V DC	30 mΩ max.	100 MΩ min. 500 V DC	500 V AC for 1 min.

## Mechanical & Solderability Performance

Operating force	Terminal Strength	Solderability	Resistance to soldering heat	
			Dip soldering	Manual soldering
0.3~2.0kgf	0.5 kgf for 10 seconds	260 ± 5 °C	320 °C , 3 seconds	350°C , 3 seconds

## Endurance, Environmental Performance

Operating life without load	Cold	Dry heat	Damp heat
5,000 cycles , 100 mΩ max.	-25 °C for 2 hrs	70 °C for 96 hrs	40 °C , 90 to 95% RH for 96 hrs



# DC POWER JACK

## Characteristics

Series	Pin dimension	Operating temperature range	Soldering
DCJ-08	φ1.0 (Dia.) x 5.5mm (L)	-10 °C to 60 °C	Dip ; Manual ; Reflow

## Electrical Performance

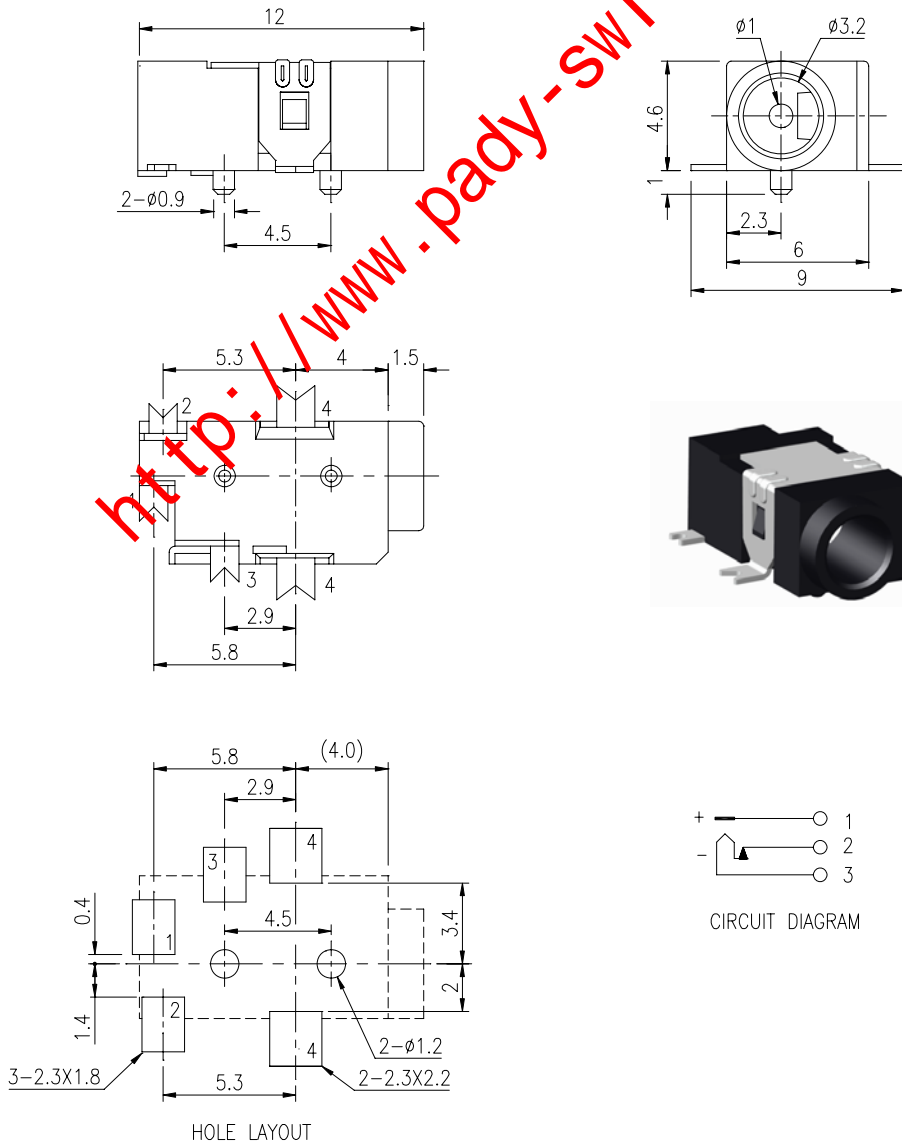
Rating (max.)	Contact resistance	Insulation resistance	Withstand voltage
1A 12V DC	30 mΩ max.	100 MΩ min. 500 V DC	500 V AC for 1 min.

## Mechanical & Solderability Performance

Operating force	Terminal Strength	Solderability	Resistance to soldering heat		
			Dip soldering	Manual soldering	Reflow soldering
0.3~2.0kgf	0.5 kgf for 15 seconds	230 ± 5 °C	260 °C , 5 seconds	350°C , 3 seconds	240°C , 5 seconds

## Endurance, Environmental Performance

Operating life without load	Cold	Dry heat	Damp heat
5,000 cycles , 100 mΩ max.	-25 °C for 48 hrs	70 °C for 48 hrs	40 °C , 90 to 95% RH for 96 hrs





# DC POWER JACK

## Characteristics

Series	Pin dimension	Operating temperature range	Soldering
DCJ-09	φ0.65 (Dia.) x 7mm (L)	-10 °C to 60 °C	Dip ; Manual

## Electrical Performance

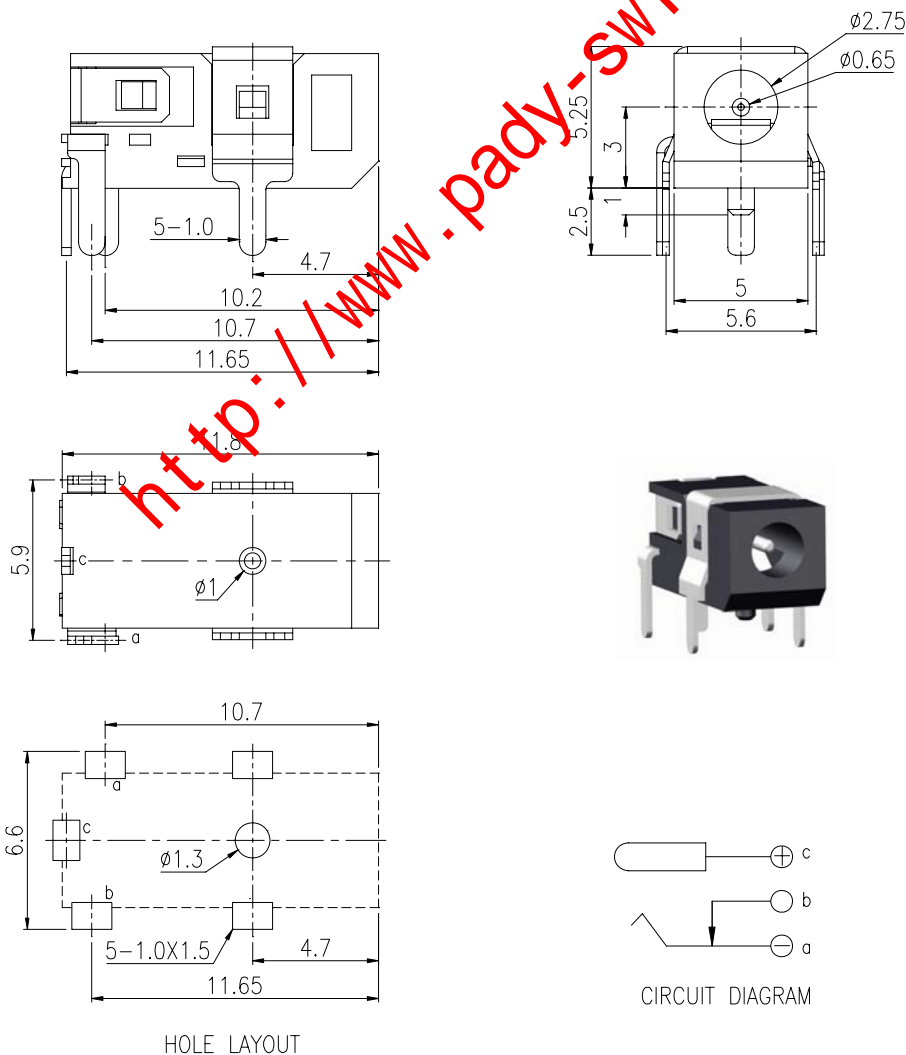
Rating (max.)	Contact resistance	Insulation resistance	Withstand voltage
2A 3.15V DC	30 mΩ max.	100 MΩ min. 500 V DC	500 V AC for 1 min.

## Mechanical & Solderability Performance

Operating force	Terminal Strength	Solderability	Resistance to soldering heat	
			Dip soldering	Manual soldering
0.3~2.0kgf	1.0 kgf for 60 seconds	260 ± 5 °C	320 °C , 3 seconds	350°C , 3 seconds

## Endurance, Environmental Performance

Operating life without load	Cold	Dry heat	Damp heat
5,000 cycles , 100 mΩ max.	-25 °C for 2 hrs	70 °C for 96 hrs	40 °C , 90 to 95% RH for 96 hrs



# DC POWER JACK

## Characteristics

Series	Pin dimension	Operating temperature range	Soldering
DCJ-11	φ0.65 (Dia.) x 7.55mm (L)	-10 °C to 60 °C	Dip ; Manual

## Electrical Performance

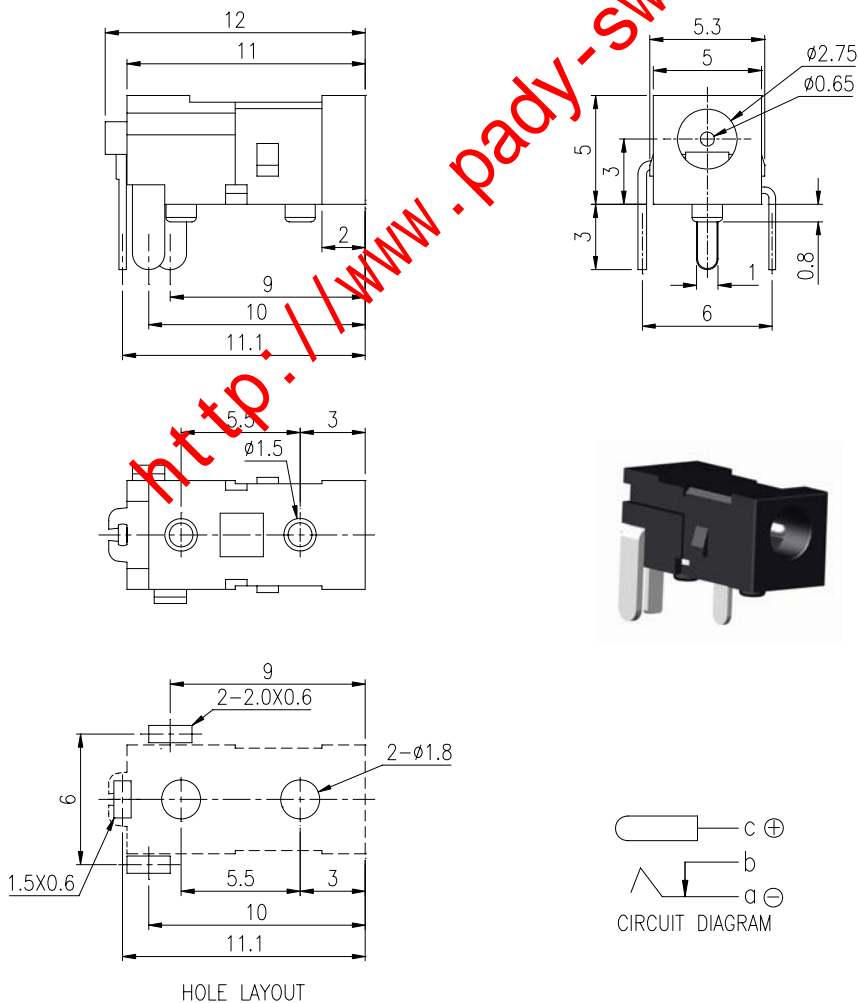
Rating (max.)	Contact resistance	Insulation resistance	Withstand voltage
2A 3.15V DC	30 mΩ max.	100 MΩ min. 500 V DC	500 V AC for 1 min.

## Mechanical & Solderability Performance

Operating force	Terminal Strength	Solderability	Resistance to soldering heat	
			Dip soldering	Manual soldering
0.3~2.0kgf	1 kgf for 60 seconds	260 ± 5 °C	260 °C, 5 seconds	350°C , 3 seconds

## Endurance, Environmental Performance

Operating life without load	Cold	Dry heat	Damp heat
5,000 cycles , 100 mΩ max.	-25 °C for 2 hrs	70 °C for 96 hrs	40 °C, 90 to 95% RH for 96 hrs



# DC POWER JACK

## Characteristics

Series	Pin dimension	Operating temperature range	Soldering
DCJ-12	φ2.5 (Dia.) x8.0mm (L)	-10 °C to 60 °C	Dip

## Electrical Performance

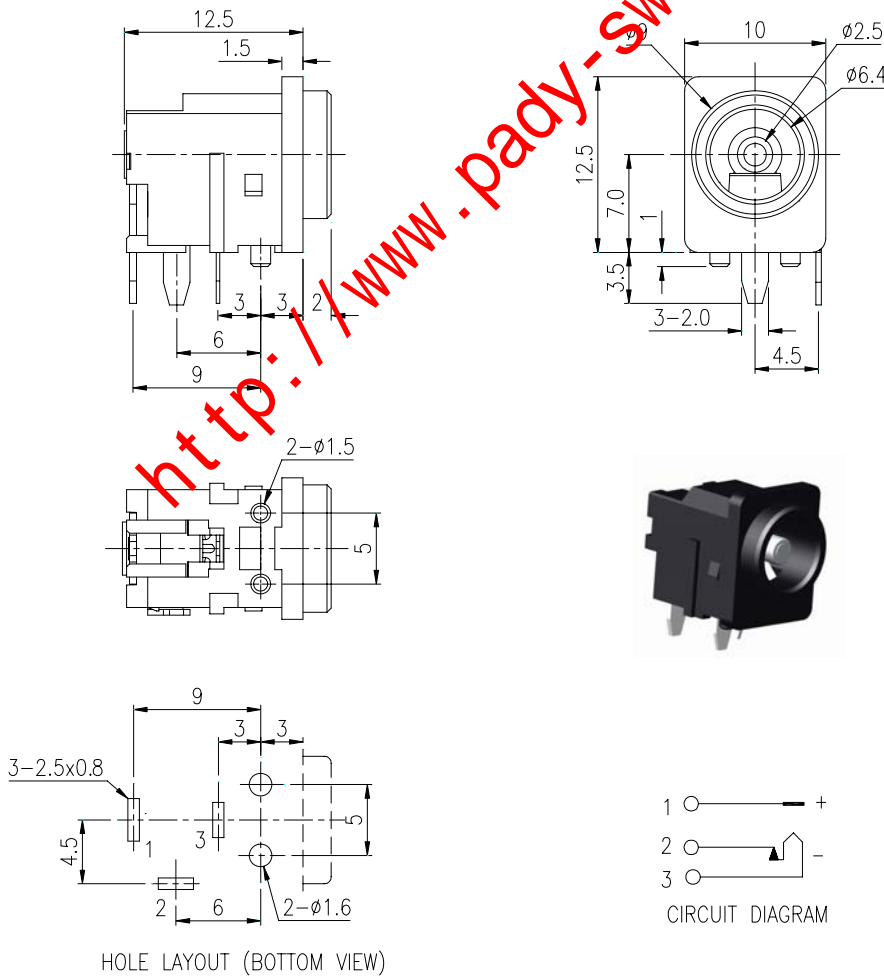
Rating (max.)	Contact resistance	Insulation resistance	Withstand voltage
DC 50V 0.5A	30 mΩ max.	100 MΩ min. 500 V DC	500 V AC for 1 min.

## Mechanical & Solderability Performance

Operating force	Terminal Strength	Solderability	Resistance to soldering heat
			Dip soldering
0.3~3.0kgf	0.5 kgf for 10 seconds	260 ± 5 °C	320 °C, 3 seconds

## Endurance, Environmental Performance

Operating life without load	Cold	Dry heat	Damp heat
5,000 cycles, 100 mΩ max.	-25 °C for 2 hrs	70 °C for 96 hrs	40 °C, 90 to 95% RH for 96 hrs



# DC POWER JACK

## Characteristics

Series	Pin dimension	Operating temperature range	Soldering
DCJ-18	φ1.65 (Dia.) x 7mm (L)	-20 °C to 60 °C	Manual ; Reflow

## Electrical Performance

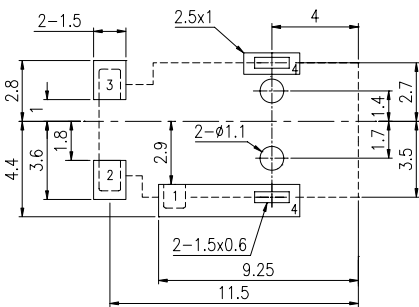
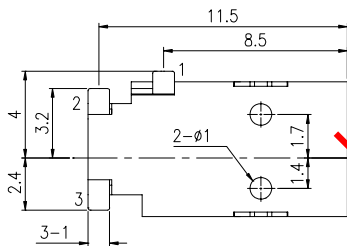
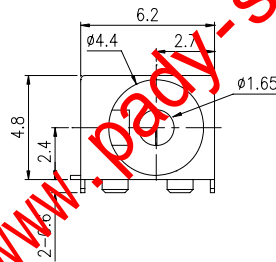
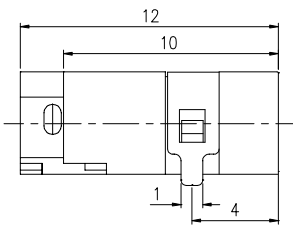
Rating (max.)	Contact resistance	Insulation resistance	Withstand voltage
2A 5V DC	30 mΩ max.	100 MΩ min. 500 V DC	500 V AC for 1 min.

## Mechanical & Solderability Performance

Operating force	Terminal Strength	Solderability	Resistance to soldering heat	
			Manual soldering	Reflow soldering
0.3~2.0kgf	1.0 kgf for 60 seconds	260 ± 5 °C	350°C , 3 seconds	260°C , 5 seconds

## Endurance, Environmental Performance

Operating life without load	Cold	Dry heat	Damp heat
5,000 cycles , 100 mΩ max.	-30 °C for 48 hrs	70 °C for 48 hrs	40 °C , 90 to 95% RH for 100 hrs



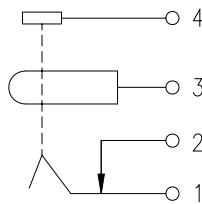
HOLE LAYOUT



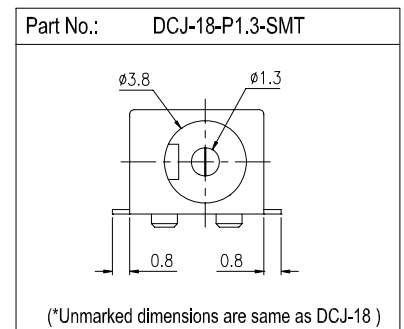
Part No.: DCJ-18



Part No.: DCJ-18-P1.3-SMT



CIRCUIT DIAGRAM  
1&4 ON



(\*Unmarked dimensions are same as DCJ-18)

# DC POWER JACK

## Characteristics

Series	Pin dimension	Operating temperature range	Soldering
DCJ-19	φ1.65 (Dia.) x 7.45mm (L)	-20 °C to 60 °C	Dip ; Manual

## Electrical Performance

Rating (max.)	Contact resistance	Insulation resistance	Withstand voltage
2A 5V DC	30 mΩ max.	100 MΩ min. 500 V DC	500 V AC for 1 min.

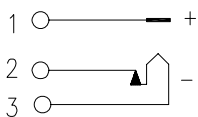
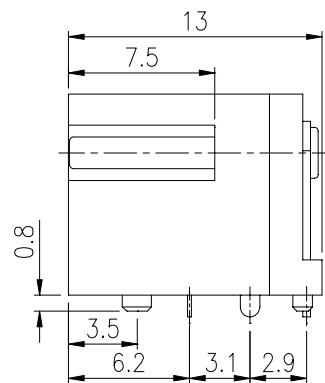
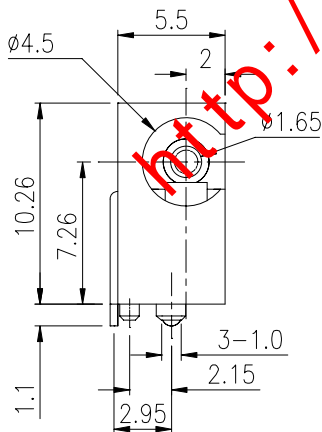
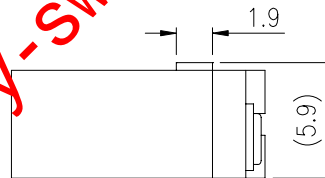
## Mechanical & Solderability Performance

Operating force	Terminal Strength	Solderability	Resistance to soldering heat	
			Dip soldering	Manual soldering
0.3~2.0kgf	1.0 kgf for 60 seconds	260 ± 5 °C	260 °C, 5 seconds	350°C , 3 seconds

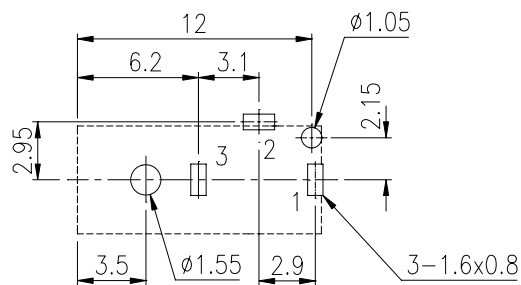
## Endurance, Environmental Performance

Operating life without load	Cold	Dry heat	Damp heat
5,000 cycles , 100 mΩ max.	-30 °C for 48 hrs	70 °C for 48 hrs	40 °C, 90 to 95% RH for 100 hrs

Carrier taping available



CIRCUIT DIAGRAM



HOLE LAYOUT

# DC POWER JACK

## Characteristics

Series	Pin dimension	Operating temperature range	Soldering
DCJ-20	φ1.3 (Dia.) x 5.5mm (L)	-10 °C to 60 °C	Reflow ; Manual

## Electrical Performance

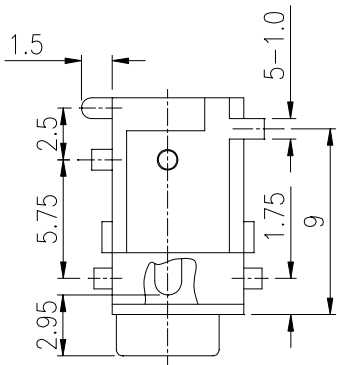
Rating (max.)	Contact resistance	Insulation resistance	Withstand voltage
1A DC 12V	30 mΩ max.	100 MΩ min. 500 V DC	500 V AC for 1 min.

## Mechanical & Solderability Performance

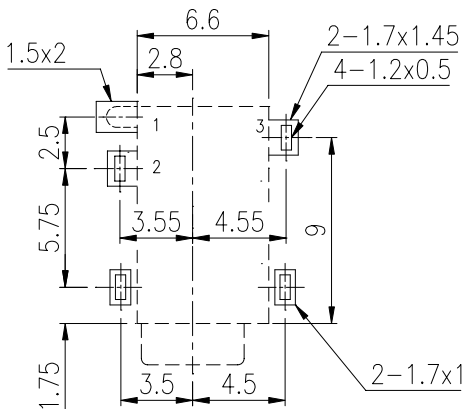
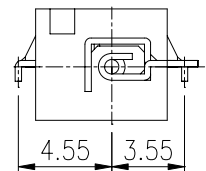
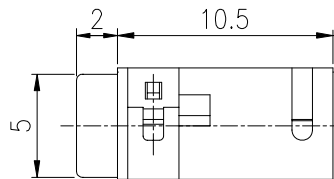
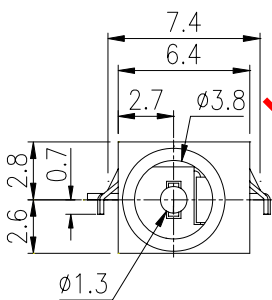
Operating force	Terminal Strength	Solderability	Resistance to soldering heat	
			Reflow soldering	Manual soldering
0.3~2.0kgf	300 gf for 60 seconds	260 ± 5 °C	260 °C, 5 seconds	350°C , 3 seconds

## Endurance, Environmental Performance

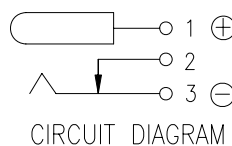
Operating life without load	Cold	Dry heat	Damp heat
5,000 cycles , 100 mΩ max.	-25 °C for 2 hrs	70 °C for 96 hrs	40 °C , 90 to 95% RH for 96 hrs



Carrier taping available



P.C.B LAYOUT



# DC POWER JACK

## Characteristics

Series	Pin dimension	Operating temperature range	Soldering
DCJ-21	φ1.6 (Dia.) x 8mm (L)	-25 °C to 70 °C	Manual ; Reflow

## Electrical Performance

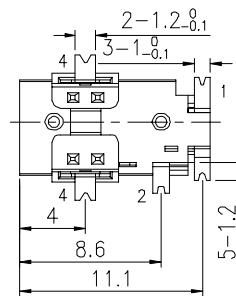
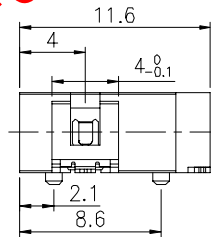
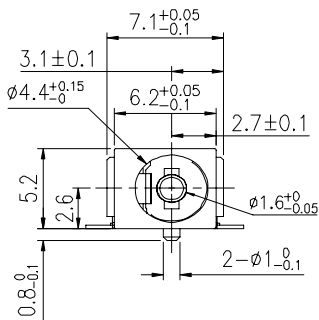
Rating (max.)	Contact resistance	Insulation resistance	Withstand voltage
2A 6.3V DC	30 mΩ max.	100 MΩ min. 500 V DC	500 V AC for 1 min.

## Mechanical & Solderability Performance

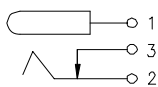
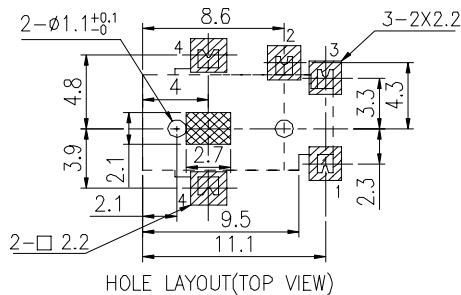
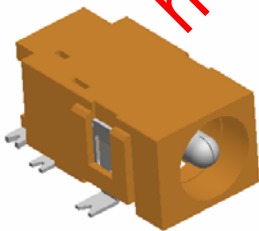
Operating force	Terminal Strength	Solderability	Resistance to soldering heat	
			Manual soldering	Reflow soldering
IN: 0.5~2.0 kgf OUT: 0.3~1.5kgf	5.0 kgf for 10 seconds	260 ± 5 °C	380°C , 3 seconds	240°C , 10 seconds

## Endurance, Environmental Performance

Operating life without load	Operating life with load	Cold	Dry heat	Damp heat
5,000 cycles , 100 mΩ max.	1,000 cycles , 100 mΩ max.	-25 °C for 2 hrs	85 °C for 96 hrs	40 °C , 90 to 95% RH for 24 hrs



Carrier taping available



CIRCUIT DIAGRAM  
1&2 ON

# DC POWER JACK

## Characteristics

Series	Pin dimension	Operating temperature range	Soldering
DCJ-22	φ1.6 (Dia.) x 6.7mm (L)	-10 °C to 60 °C	Dip ; Manual

## Electrical Performance

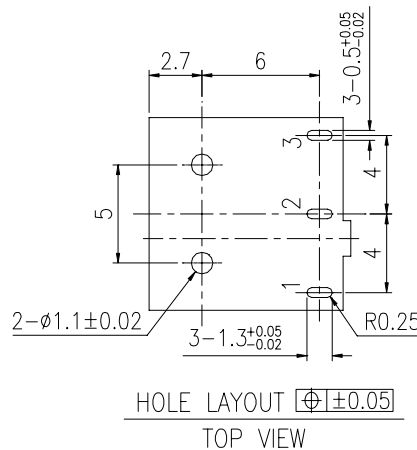
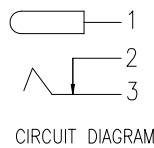
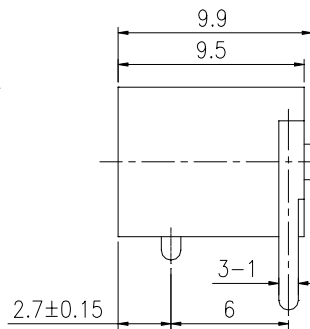
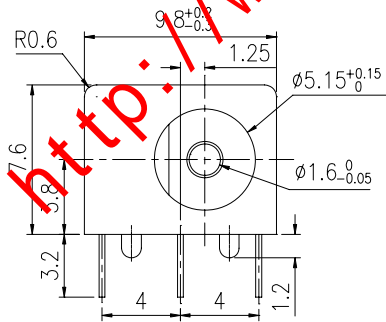
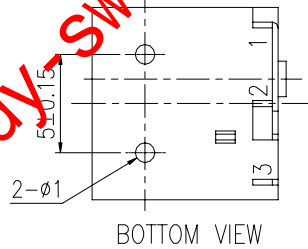
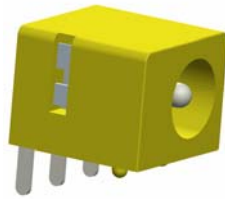
Rating (max.)	Contact resistance	Insulation resistance	Withstand voltage
2A 6.3V DC	60 mΩ max.	100 MΩ min. 500 V DC	500 V AC for 1 min.

## Mechanical & Solderability Performance

Operating force	Terminal Strength	Solderability	Resistance to soldering heat	
			Dip soldering	Manual soldering
0.3~3.0 Kgf	500 gf for 60 seconds	245 ± 5 °C	260°C , 10 seconds	350°C , 3 seconds

## Endurance, Environmental Performance

Operating life without load	Cold	Dry heat	Damp heat
5,000 cycles , 100 mΩ max.	-25 °C for 2 hrs	85 °C for 96 hrs	40 °C , 90 to 95% RH for 96 hrs





# DC POWER JACK

## Characteristics

Series	Pin dimension	Operating temperature range	Soldering
DCJ-25	φ1.0 (Dia.) x 5.5mm (L)	-10 °C to 60 °C	Manual ; Reflow

## Electrical Performance

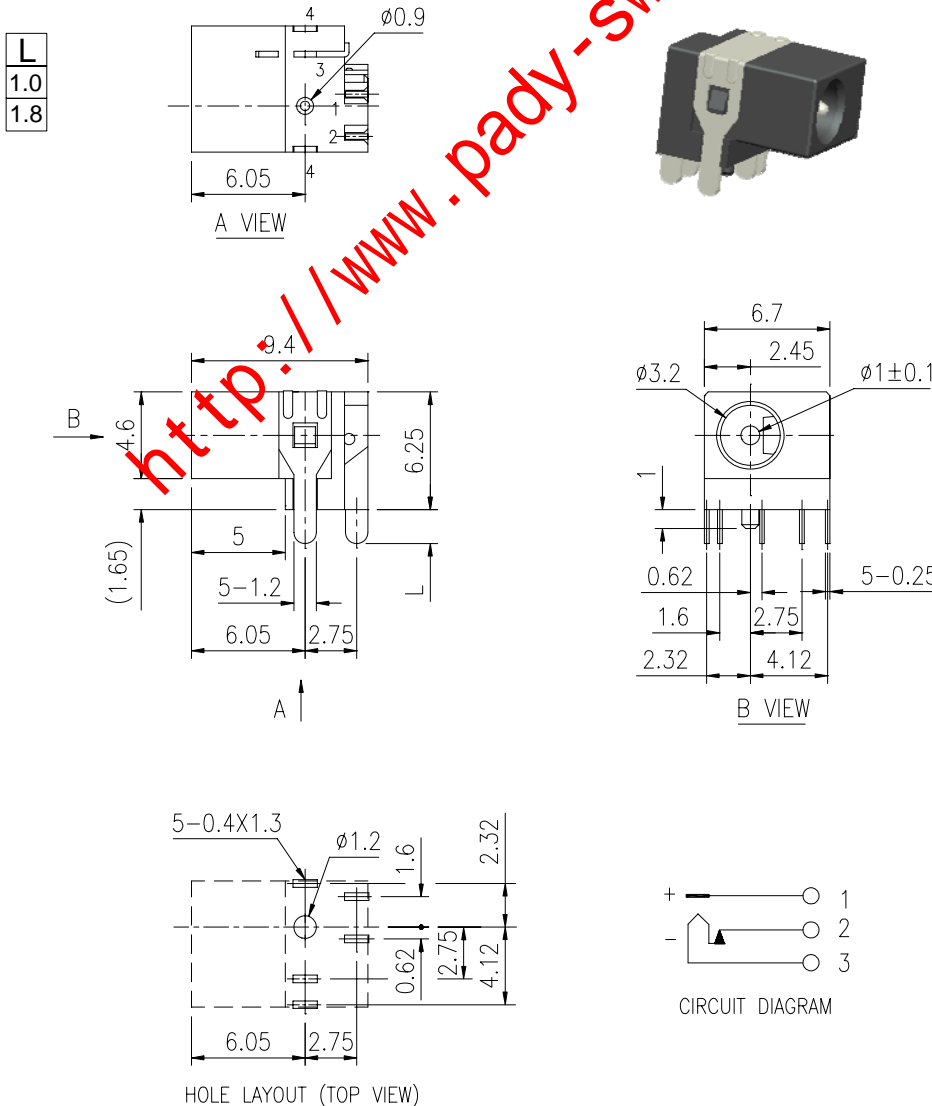
Rating (max.)	Contact resistance	Insulation resistance	Withstand voltage
1A 12V DC	50 mΩ max.	100 MΩ min. 500 V DC	500 V AC for 1 min.

## Mechanical & Solderability Performance

Operating force	Terminal Strength	Solderability	Resistance to soldering heat	
			Manual soldering	Reflow soldering
IN: 0.3~2.0 kgf OUT: 0.3~2.0kgf	500 gf for 15 seconds	245 ± 5 °C	350°C , 3 seconds	260°C , 5 seconds

## Endurance, Environmental Performance

Operating life without load	Cold	Dry heat	Damp heat
5,000 cycles , 100 mΩ max.	-25 °C for 48 hrs	70 °C for 48 hrs	40 °C , 90 to 95% RH for 96 hrs



# DC POWER JACK

## Characteristics

Series	Pin dimension	Operating temperature range	Soldering
DCJ-28	∅ 1.0 (Dia) x 7 mm (L)	-25 °C to 70 °C	Manual

## Electrical Performance

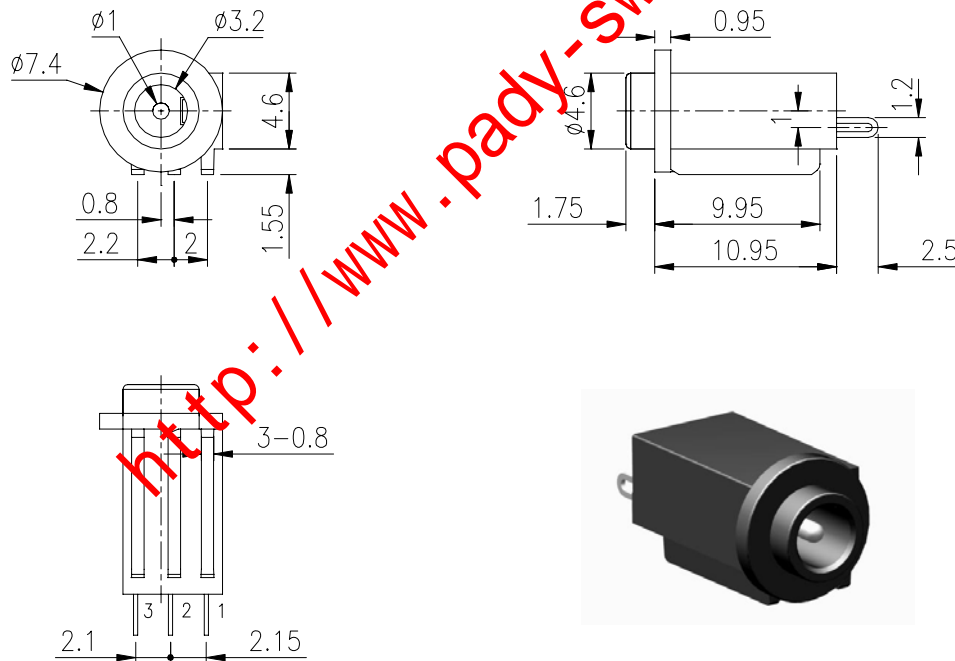
Rating (max.)	Contact resistance	Insulation resistance	Withstand voltage
2.5A DC 12V	60 mΩ max.	1500 MΩ min. 500 V DC	1000 V AC for 1 min.

## Mechanical & Solderability Performance

Operating force	Terminal Strength	Solderability	Resistance to soldering heat
			Manual soldering
0.5~2.0 Kgf	0.5 kgf for 15 seconds	245 ± 5 °C	350°C , 3 seconds

## Endurance, Environmental Performance

Operating life without load	Cold	Dry heat	Damp heat
5,000 cycles , 120 mΩ max.	-25 °C for 48 hrs	70 °C for 48 hrs	40 °C, 90 to 95% RH for 96 hrs



Water Resistant: IP-X7

