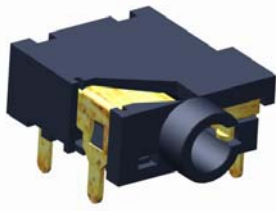


HEADPHONE JACK --- $\phi 2.5$

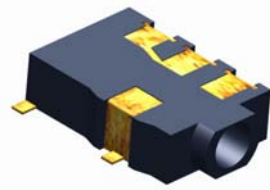
PCB

PJAB-020

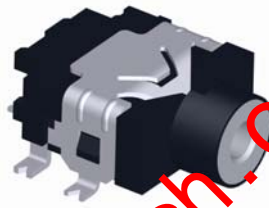


SMT

PJAS-009



PJAS-012



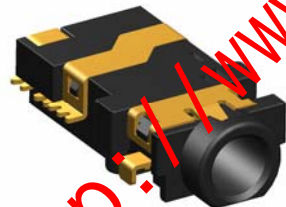
PJAS-013



PJDS-030



PJDS-045



PJDS-048



1/11/2008

<http://www.pady-switch.com>

HEADPHONE JACK

Characteristics

Series	Mode	Operating temperature range	Soldering
PJAB-020	Stereo	-25 °C to 85 °C	Dip, Reflow , Manual

Electrical Performance

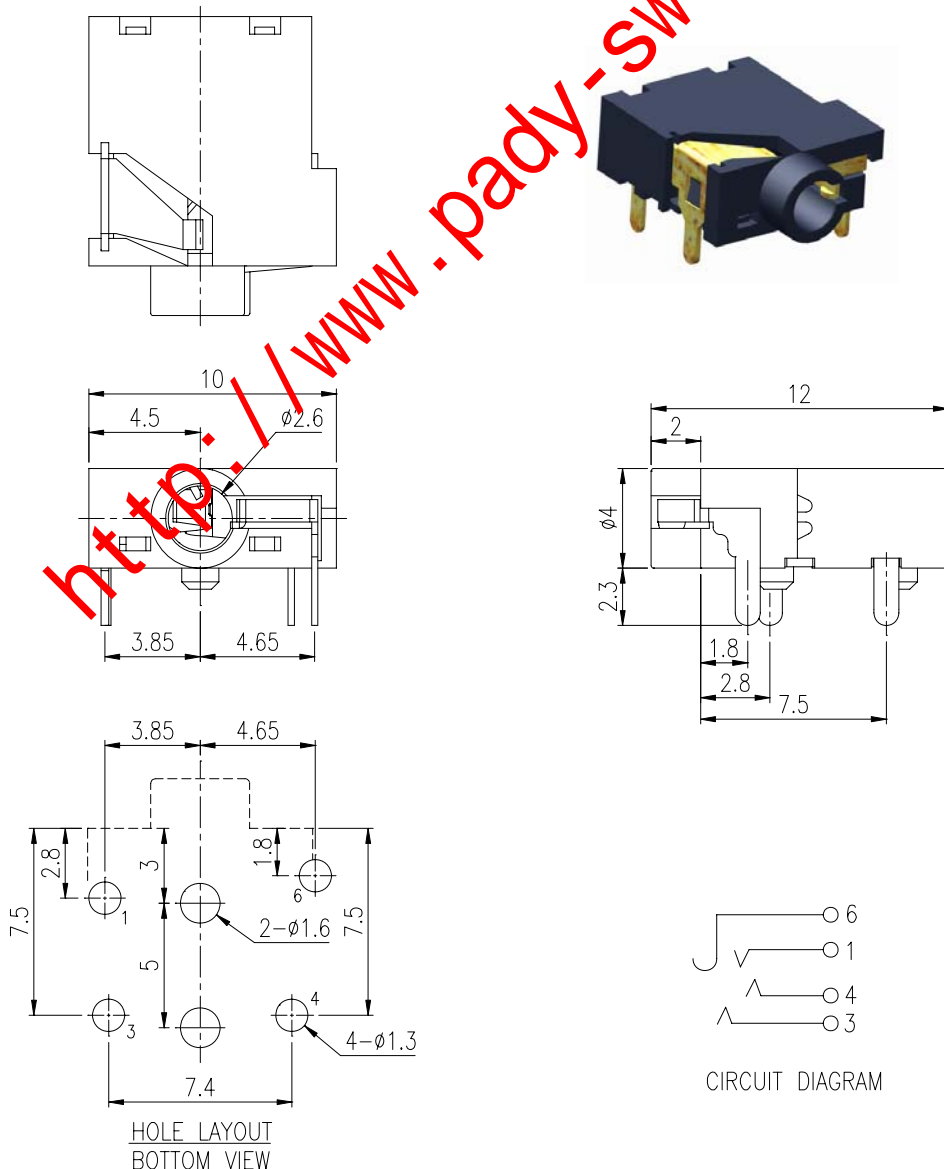
Rating (max.)	Contact resistance	Insulation resistance	Withstand voltage
0.3A DC 16V	30 mΩ max.	100 MΩ min. 250 V DC	250 V AC for 1 min.

Mechanical & Solderability Performance

Operating force	Terminal Strength	Solderability	Resistance to soldering heat		
			Dip soldering	Reflow soldering	Manual soldering
0.4~3.0 kgf	0.5 kgf for 10 seconds	240 ± 5 °C	240 °C , 5 seconds	240 °C , 5 seconds	350°C , 3 seconds

Endurance, Environmental Performance

Operating life without load	Cold	Dry heat	Damp heat
5,000 cycles , 60 mΩ max.	-40 °C for 96 hrs	70 °C for 96 hrs	40 °C , 90 to 95% RH for 96 hrs



HEADPHONE JACK

Characteristics

Series	Terminal styles	Mode	Operating temperature range	Soldering
PJAS-009	SMT	Stereo	-25 °C to 85 °C	Reflow, Manual

Electrical Performance

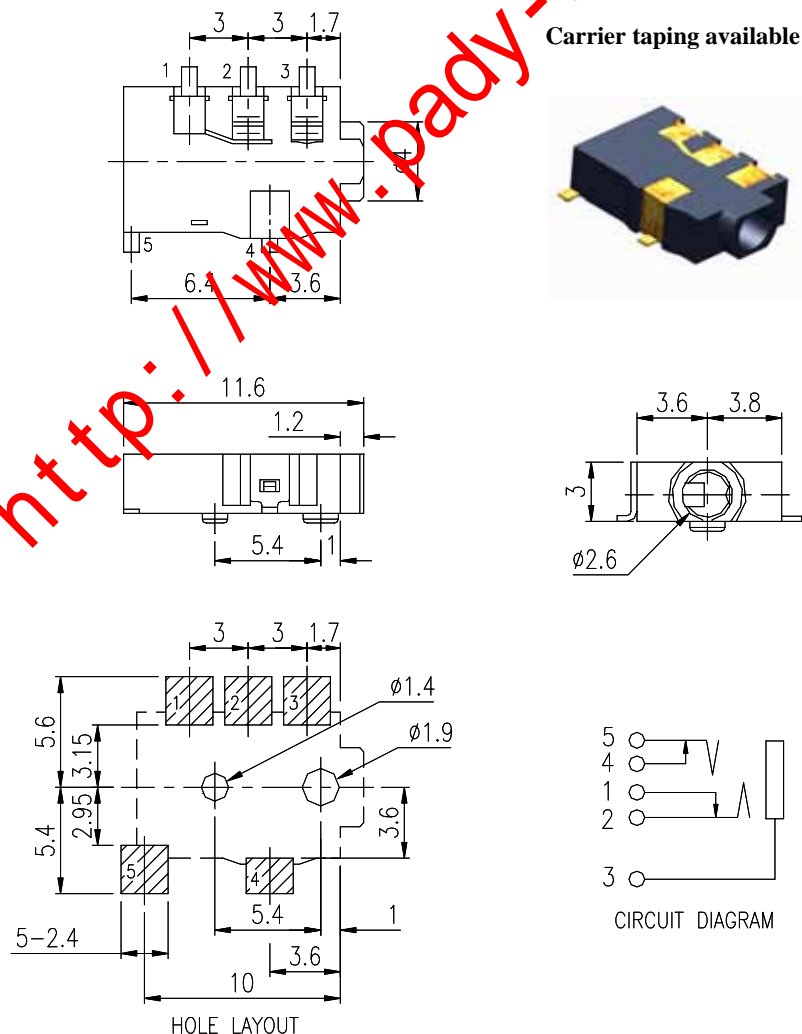
Rating (max.)	Contact resistance	Insulation resistance	Withstand voltage
0.3A DC 16V	30 mΩ max.	100 MΩ min. 250 V DC	250 V AC for 1 min.

Mechanical & Solderability Performance

Operating force	Terminal Strength	Solderability	Resistance to soldering heat	
			Reflow soldering	Manual soldering
0.5~2.0 kgf	0.5 kgf for 10 seconds	240 ± 5 °C	240 °C, 5 seconds	350 °C, 3 seconds

Endurance, Environmental Performance

Operating life without load	Cold	Dry heat	Damp heat
5,000 cycles, 60 mΩ max.	-40 °C for 48 hrs	70 °C for 96 hrs	40 °C, 90 to 95% RH for 96 hrs



HEADPHONE JACK

Characteristics

Series	Mode	Operating temperature range	Soldering
PJAS-012	Stereo	-10 °C to 60 °C	Reflow , Manual

Electrical Performance

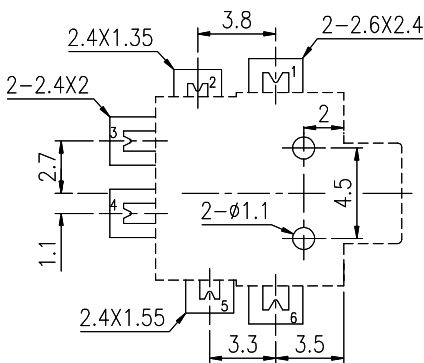
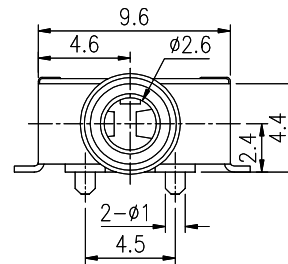
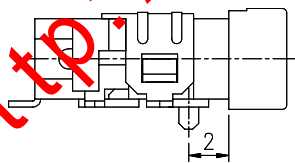
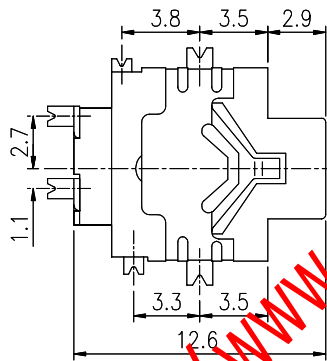
Rating (max.)	Contact resistance	Insulation resistance	Withstand voltage
0.3A DC 16V	30 mΩ max.	100 MΩ min. 250 V DC	250 V AC for 1 min.

Mechanical & Solderability Performance

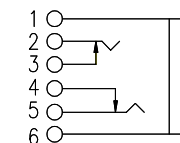
Operating force	Terminal Strength	Solderability	Resistance to soldering heat	
			Reflow soldering	Manual soldering
0.4~2.0 kgf	0.5 kgf for 10 seconds	230 ± 5 °C	240°C , 5 seconds	350°C , 3 seconds

Endurance, Environmental Performance

Operating life without load	Cold	Dry heat	Damp heat
5,000 cycles , 100 mΩ max.	-25 °C for 48 hrs	70 °C for 48 hrs	40 °C , 90 to 95% RH for 96 hrs



PCB LAYOUT



CIRCUIT DIAGRAM

HEADPHONE JACK

Characteristics

Series	Mode	Operating temperature range	Soldering
PJAS-013	Stereo	-10 °C to 60 °C	Reflow, Manual

Electrical Performance

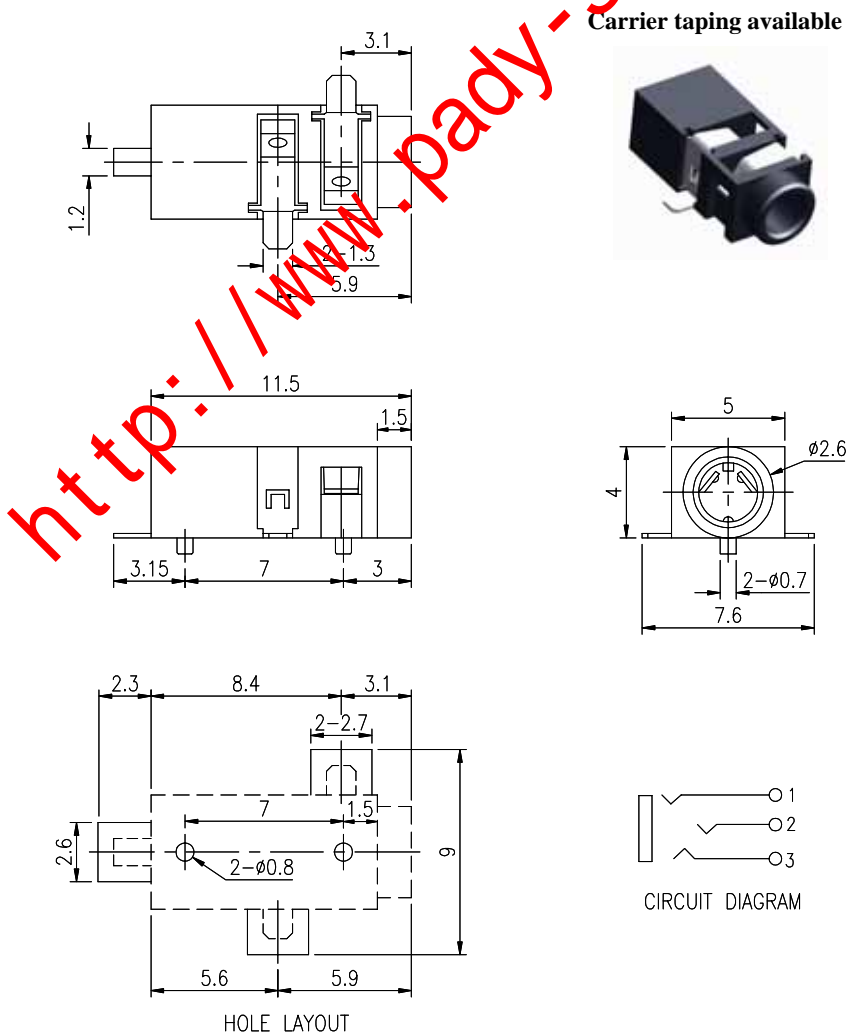
Rating (max.)	Contact resistance	Insulation resistance	Withstand voltage
0.5A DC/AC 12V	30 mΩ max.	100 MΩ min. 500 V DC	500 V AC for 1 min.

Mechanical & Solderability Performance

Operating force	Terminal Strength	Solderability	Resistance to soldering heat	
			Reflow soldering	Manual soldering
0.3~3.0 kgf	0.5 kgf for 15 seconds	230 ± 5 °C	240 °C, 5 seconds	350°C, 3 seconds

Endurance, Environmental Performance

Operating life without load	Cold	Dry heat	Damp heat
5,000 cycles , 100 mΩ max.	-25 °C for 48 hrs	70 °C for 48 hrs	40 °C, 90 to 95% RH for 96 hrs



HEADPHONE JACK

Characteristics

Series	Mode	Operating temperature range	Soldering
PJDS-030	Stereo	-25 °C to 75 °C	Reflow , Manual

Electrical Performance

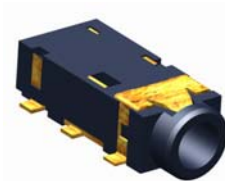
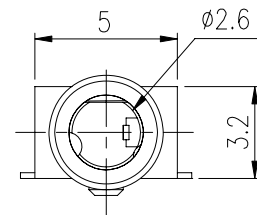
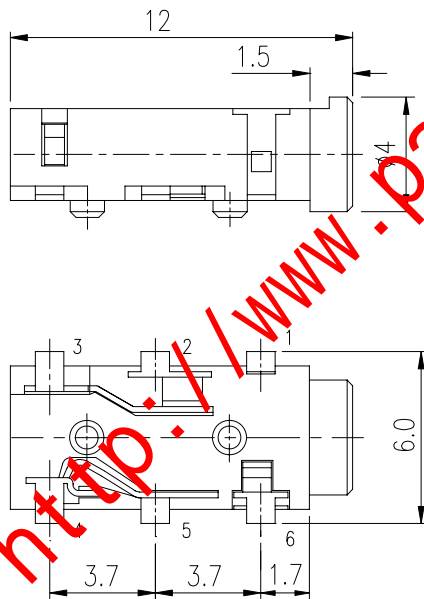
Rating (max.)	Contact resistance	Insulation resistance	Withstand voltage
0.3A DC 16V	30 mΩ max.	100 MΩ min. 250 V DC	250 V AC for 1 min.

Mechanical & Solderability Performance

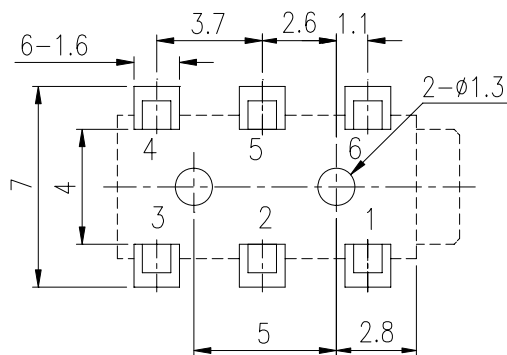
Operating force	Terminal Strength	Solderability	Resistance to soldering heat	
			Reflow soldering	Manual soldering
0.5~2.0 kgf	0.5 kgf for 10 seconds	230 ± 5 °C	260 °C, 5 seconds	350°C, 3 seconds

Endurance, Environmental Performance

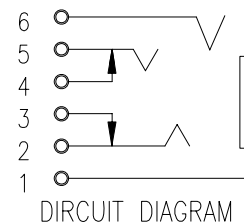
Operating life without load	Cold	Dry heat	Damp heat
5,000 cycles , 100 mΩ max.	-25 °C for 48 hrs	70 °C for 48 hrs	40 °C, 90 to 95% RH for 96 hrs



Carrier taping available



HOLE LAYOUT



CIRCUIT DIAGRAM

HEADPHONE JACK

Characteristics

Series	Mode	Operating temperature range	Soldering
PJDM-034	Stereo	-25 °C to 75 °C	Reflow ; Manual

Electrical Performance

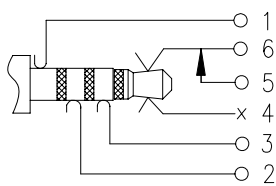
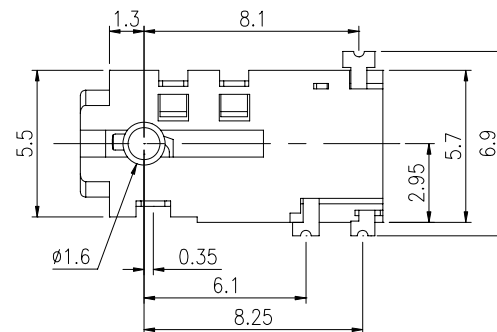
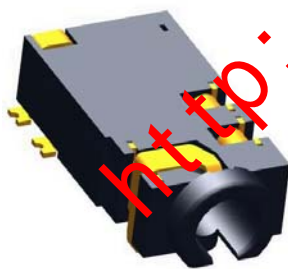
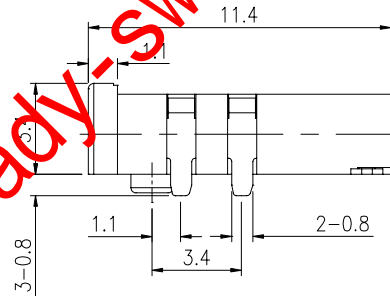
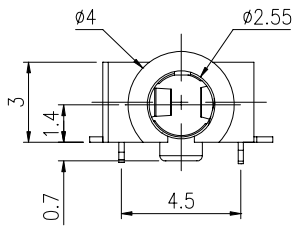
Rating (max.)	Contact resistance	Insulation resistance	Withstand voltage
0.3A DC 16V	50 mΩ max.	100 MΩ min. 250 V DC	250 V AC for 1 min.

Mechanical & Solderability Performance

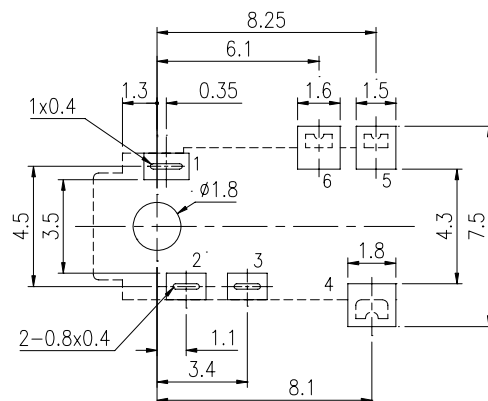
Operating force	Terminal Strength	Solderability	Resistance to soldering heat	
			Reflow soldering	Manual soldering
0.3~3.0 kgf	0.5 kgf for 10 seconds	230 ± 5 °C	260 °C, 5 seconds	350 °C, 3 seconds

Endurance, Environmental Performance

Operating life without load	Cold	Dry heat	Damp heat
7,000 cycles, 100 mΩ max.	-25 °C for 48 hrs	70 °C for 48 hrs	40 °C, 90 to 95% RH for 96 hrs



CIRCUIT DIAGRAM



PCB LAYOUT

HEADPHONE JACK

Characteristics

Series	Mode	Operating temperature range	Soldering
PJDS-045	Stereo	-25 °C to 70 °C	Reflow

Electrical Performance

Rating (max.)	Contact resistance	Insulation resistance	Withstand voltage
1A DC 36V	50 mΩ max.	100 MΩ min. 250 V DC	250 V AC for 1 min.

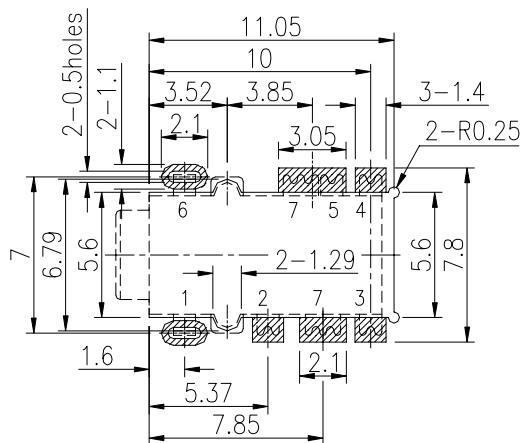
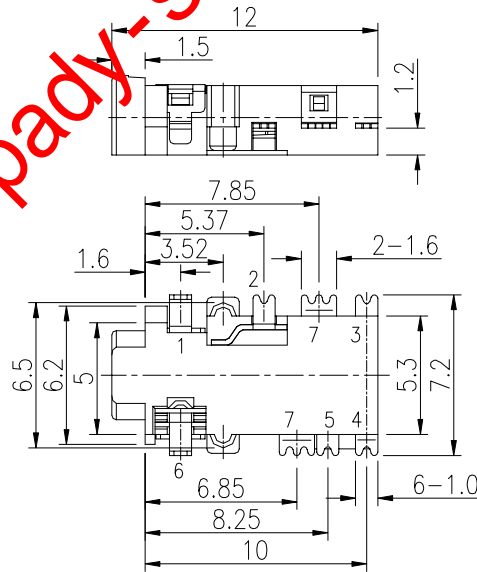
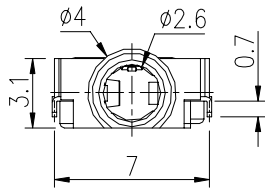
Mechanical & Solderability Performance

Operating force	Terminal Strength	Solderability	Resistance to soldering heat
			Reflow soldering
0.5~2.0 kgf	0.5 kgf for 10 seconds	245 ± 5 °C	255±5 °C, 5 seconds

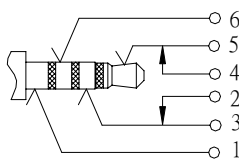
Endurance, Environmental Performance

Operating life without load	Cold	Dry heat	Damp heat
10,000 cycles , 100 mΩ max.	-25 °C for 48 hrs	70 °C for 48 hrs	40 °C, 90 to 95% RH for 96 hrs

Carrier taping available



P.C.B. LAYOUT
TOP VIEW



CIRCUIT DIAGRAM

HEADPHONE JACK

Characteristics

Series	Mode	Mate Plug	Operating temperature range	Soldering
PJDS-048	Stereo & Mic	2.5mm 4 section	-25 °C to 70 °C	Reflow

Electrical Performance

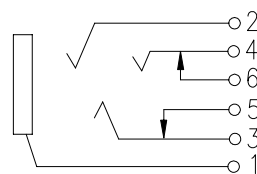
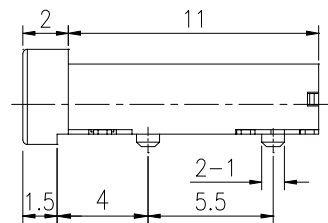
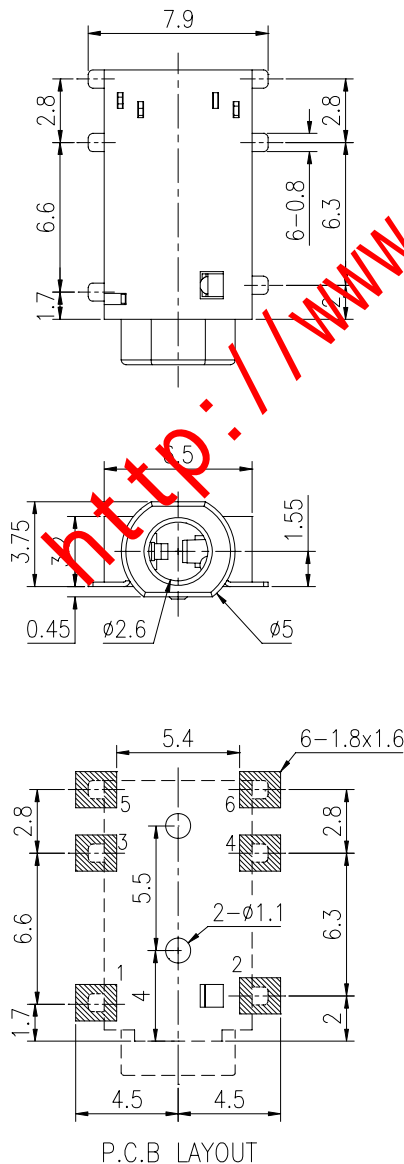
Rating (max.)	Contact resistance	Insulation resistance	Withstand voltage
1A DC 12V	50 mΩ max.	100 MΩ min. 500 V DC	500 V AC for 1 min.

Mechanical & Solderability Performance

Operating force	Terminal Strength	Solderability	Resistance to soldering heat
			Reflow soldering
0.3 ~2.0 Kgf	0.15 kgf for 15 seconds	260 ± 5 °C	255 ± 5°C 10 seconds

Endurance, Environmental Performance

Operating life without load	Cold	Dry heat	Damp heat
5,000 cycles , 100 mΩ max.	-40 °C for 48 hrs	85 °C for 48 hrs	55 °C, 93 to 95% RH for 48 hrs



CIRCUIT DIAGRAM