

## SPECIFICATIONS

**CONTACT RATING:** Dependent upon contact material See Page 28.

**MECHANICAL LIFE:** 30,000 make-and-break cycles.

**CONTACT RESISTANCE:** 20 mΩ max. initial @ 2-4VDC  
100mA for both silver and gold plated contacts.

**INSULATION RESISTANCE:** 1,000 MΩ min.

**DIELECTRIC STRENGTH:** 1,000 Vrms min. @ sea level.

**OPERATING TEMPERATURE:** -30°C to 85°C.

## MATERIALS

**CASE:** Diallyl phthalate (DAP) (UL94v-0).

**ACTUATOR:** Brass, chrome plated.

**BUSHING:** Brass or zinc, nickel plated.

**HOUSING:** Stainless Steel.

**SWITCH SUPPORT:** Brass, tin plated.

**TERMINAL/CONTACT:** Brass, with Silver or gold plated.

(See Page 28)



## HOW TO ORDER

MODEL NO.      ACTUATOR      BUSHING      TERMINATIONS      CONTACT MATERIAL      SEAL      RoHS SOLDERING

MODEL NO.	ACTUATOR	BUSHING	TERMINATIONS	CONTACT MATERIAL	SEAL	RoHS SOLDERING
Model NO. 2MS1 SP On-None-On 2MS2 SP On-None-Mom. 2MS3 SP On- Off -On 2MS4 SP Mom.-Off-Mom. 2MS5 SP On- Off -Mom. 2MS6 SP Off- None -On. 2MD1 DP On-None-On 2MD2 DP On-None-Mom. 2MD3 DP On- Off -On. 2MD6 DP On- On -On.	Actuator T1 9.40 high T2 5.33 high T3 7.37 high T4 10.41 high T5 5.59 high TL1 Locking level TL2 Locking lever	Bushing B1 5.59 high,flat (thd) B2 5.59 high,flat (non-thd) B3 5.59 high,keyway (thd) B4 5.59 high,keyway (non-thd) B5 7.87 high,flat (thd) B6 7.87 high,flat (non-thd) B7 6.60 high,keyway (thd) B8 6.60 high,keyway (non-thd) B25 8.00 high,keyway,locking lever (thd )	Terminations M1 Solder Lug M2 PC thru-hole M5 Wire wrap M6 Right angle, PC thru-hole M6N Right angle, snap-in, PC thru-hole M7 Vertical right angle, PC thru-hole M7N Vertical right angle, snap-in, PC thru-hole VS2 V-bracket V2N Snap-in V-bracket VS3 V-bracket V3N Snap-in V-bracket	Contact material Q Silver R Gold G Gold,pure-tin S Silver,pure-tin C Gold over silver K Gold over silver,pure-tin	Seal E EPOXY (std) N NO EPOXY	RoHS soldering □ RoHS Compliant S RoHS & Lead Free F Halogen Free+RoHS

http://pady-switch.com



## SWITCH FUNCTION

2M Sub-Minature Toggle Switches

NO. POLES	UL/CSA MODEL NO.	MODEL NO.	SWITCH FUNCTION			CONNECTED TERMINALS / SCHEMATIC		
			POS.1	POS.2	POS.3	POS.1	POS.2	POS.3
SP	Q2211	2MS1	ON	NONE	ON	2-3	N/A	2-1
	Q2212	2MS2	ON	NONE	MOM			
	Q2213	2MS3	ON	OFF	ON		OPEN	
	Q2214	2MS4	MOM	OFF	MOM			
	Q2215	2MS5	ON	OFF	MOM	OPEN	N/A	3-1
	Q2216	2MS6	OFF	NONE	ON			
DP	Q2221	2MD1	ON	NONE	ON	2-3,5-6	N/A	2-1,5-4
	Q2222	2MD2	ON	NONE	MOM			
	Q2223	2MD3	ON	OFF	ON		OPEN	
	▲ Q2226	2MD6	ON	ON	ON			

MOM=MOMENTARY

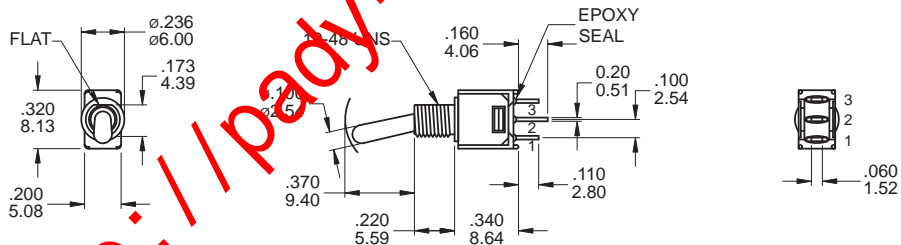
▲ Please check the availability in advance before order

## POLE OPTIONS



SPDT

Part No. Shown : 2MS1T1B1M1QE

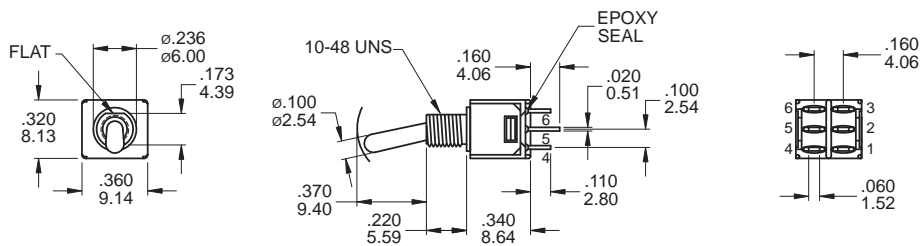


2MS6 Models : Omit 2nd terminal

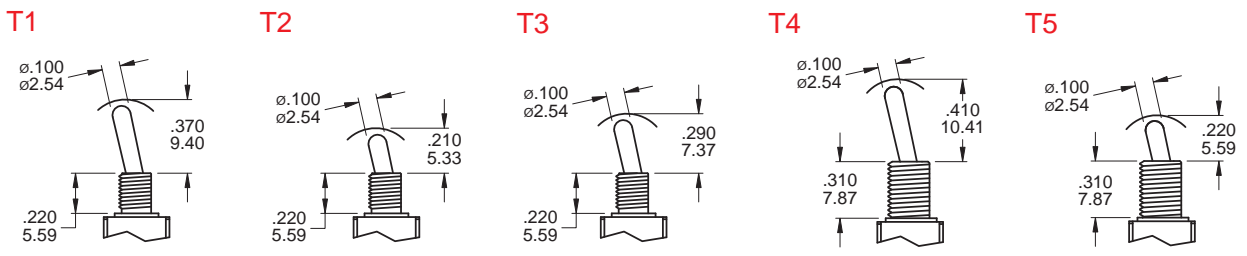


DPDT

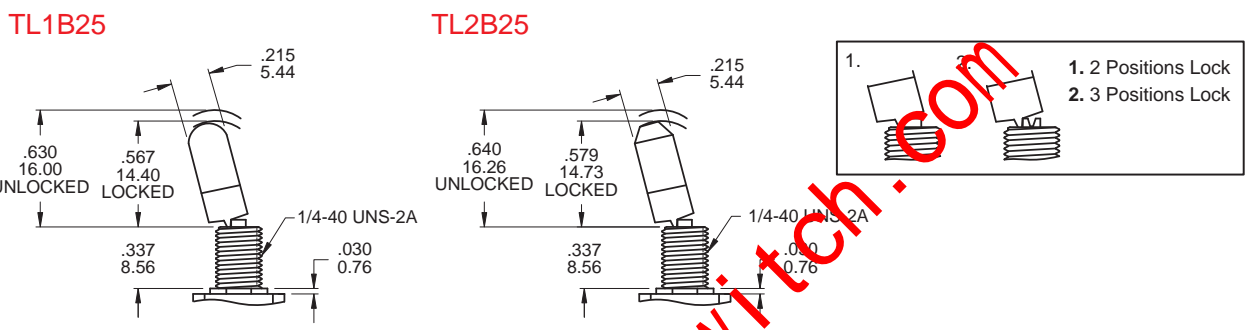
Part No. Shown : 2MD1T1B1M1RE



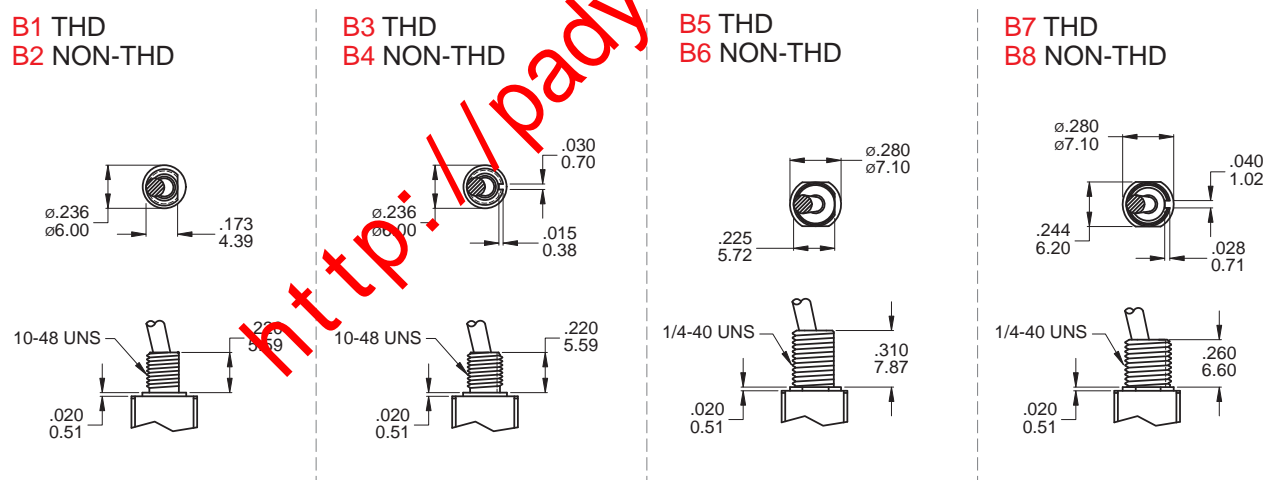
**ACTUATOR OPTIONS**



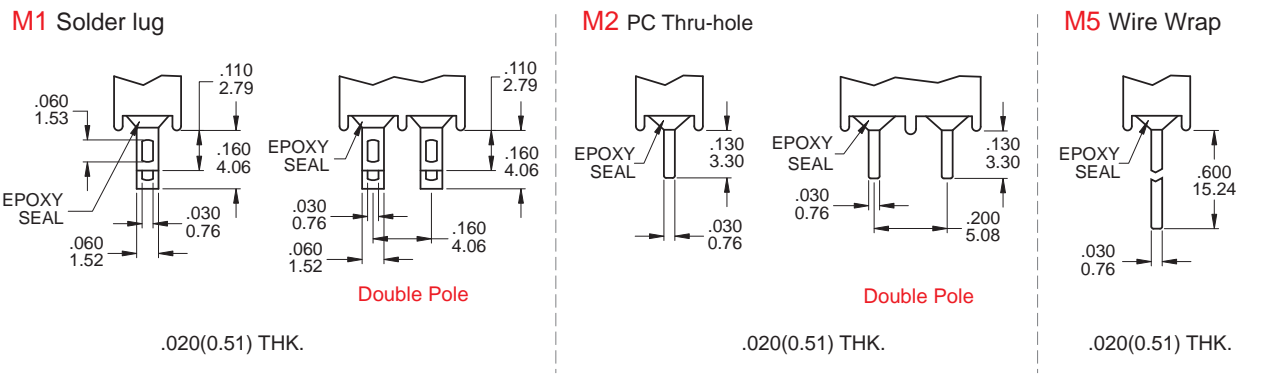
NONE: T1,T2,T3 Actuator shown with B1 to B4 bushing, subtract 0.09 ( 2.29 ) for B5 bushing, subtract 0.04 ( 1.02 ) for B7 bushing.  
T4,T5 Actuator shown with B5,B6 bushing, add 0.09 ( 2.29 ) for B1 to B3 bushing, add 0.05 ( 1.27 ) for B7 bushing.  
Std for M1,M2 Terminal sub .016(.040) for M6,M7,VSX



**BUSHING OPTIONS**

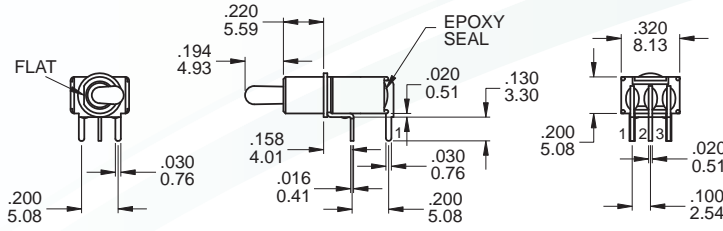


**TERMINATION OPTIONS**

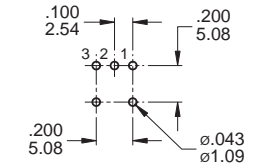




## M6



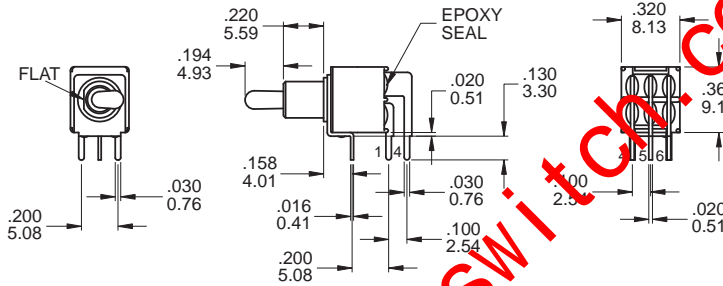
### P.C. MOUNTING



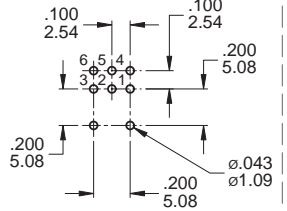
## SPDT

Part No. Shown : 2MS1T2B2M6RE

## M6



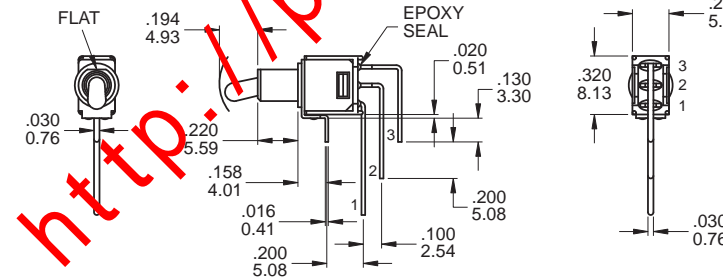
### P.C. MOUNTING



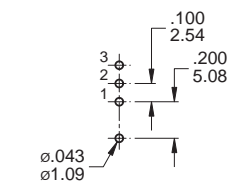
## DPDT

Part No. Shown : 2MD1T2B2M6QE

## M7



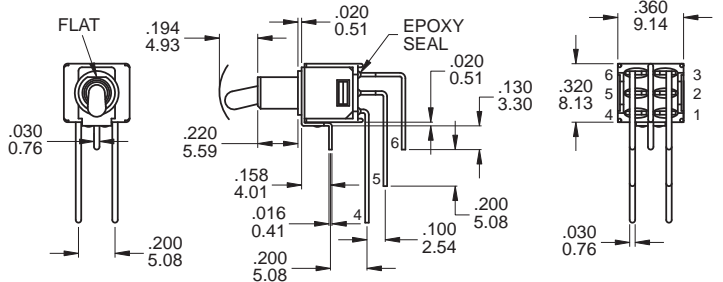
### P.C. MOUNTING



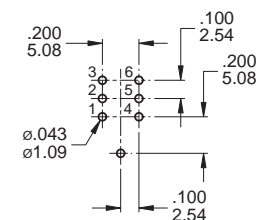
## SPDT

Part No. Shown : 2MS1T2B2M7RE

## M7



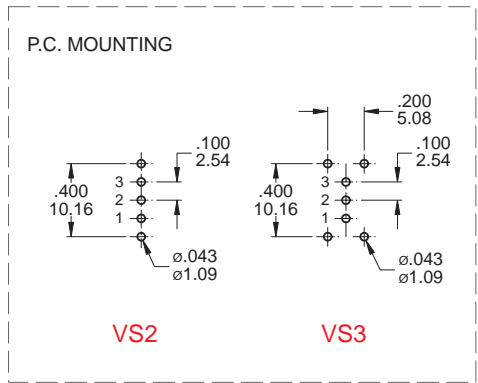
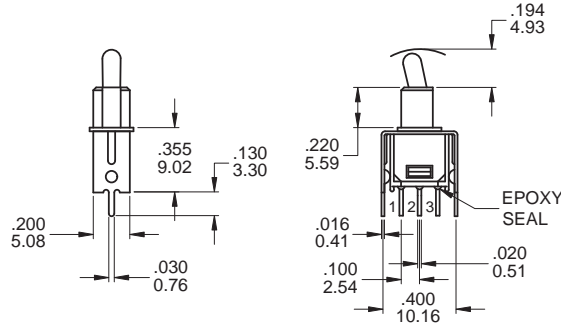
### P.C. MOUNTING



## DPDT

Part No. Shown : 2MD1T2B2M7RE

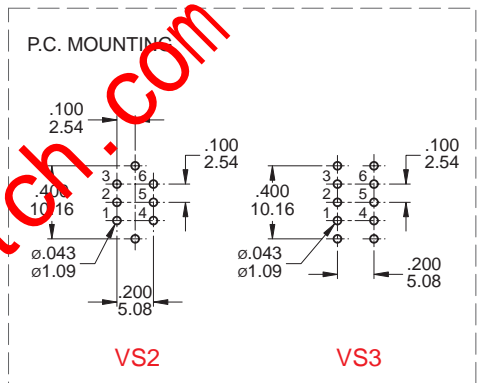
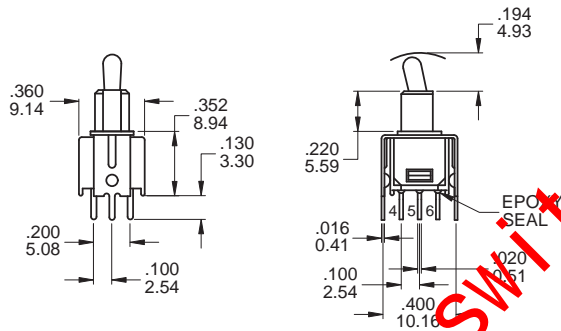
## VS2 - VS3



SPDT

Part No. Shown : 2MS1T2B2VS2QE

## VS2 - VS3



DPDT

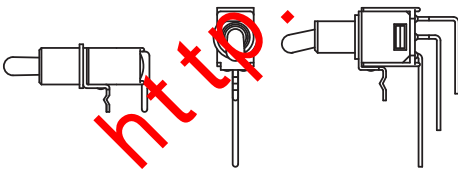
Part No. Shown : 2MD1T2B2VS2QE

## SNAP-IN TERMINATION OPTIONS

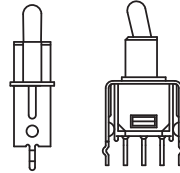
M6N



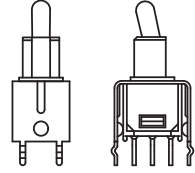
M7N



V2N

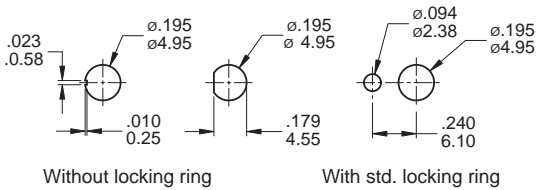


V3N

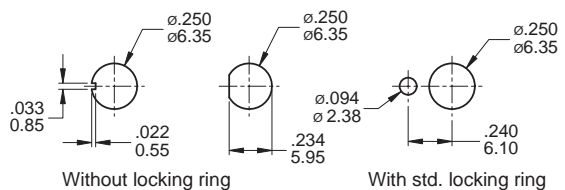


## PANEL MOUNTING

10-48 BUSHING

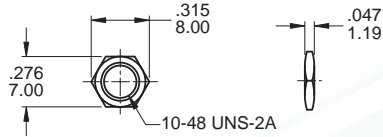


1/4 IN. BUSHING



## HARDWARE

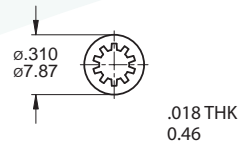
### 10-48 NUT



MNU-2M01

Supplied standard with  
B1/ B3 bushing

### LOCK WASHER



MNU-2M03

Supplied standard with  
B1 / B3 bushing

## CONTACT MATERIAL OPTIONS

	CONTACT PLATING	TERMINAL PLATING	RATINGS
Q	Silver	Q = Silver	3 Amps with resistant load @ 120VAC or 28VDC 1 Amps with resistant load @ 250VAC
S		S = Silver,pure - tin	
C	Gold over Silver	C = Gold over silver	0.4 Volt - Amps ( VA ) max. @ 20V max. ( AC or DC )
K		K = Gold over silver,pure - tin	
R	Gold	R = Gold	
G		G = Gold,pure - tin	

## SOLDERING PROCESSES

**MANUAL SOLDERING:** Use soldering iron of 30 watts, controlled at 350°C approximately 3 seconds while applying solder.

**WAVE SOLDERING:** Recommended Soldering Temperature: 260 ± 5°C

Duration of Solder Immersion: Max 5 sec. (PCB is 1.6mm in thickness)

<http://pady-switch.com>