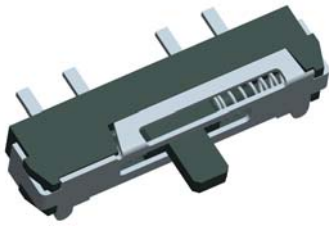
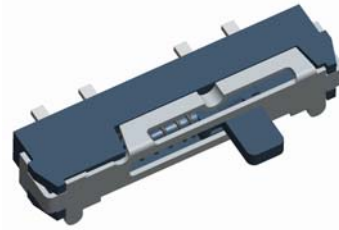


PUSH SLIDE SWITCH

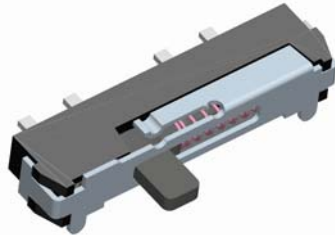
HPSA-13D04



HPSB-13D18



HPSC-13D23



26-5-2008

<http://pady-switch.com>

Insert Molding Mini Slide Switch (Vertical Knob)

Characteristics

Series	Circuit	Timing	Travel	Operating temperature range	Soldering
HPSA-13D04	1P3T	Non-shorting	2.0mm	-10 °C to 60 °C	Reflow

Electrical Performance

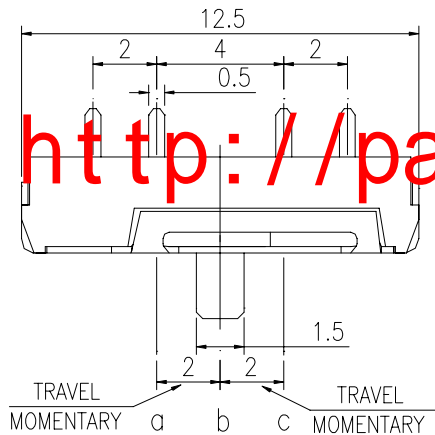
Rating (max.)	Contact resistance	Insulation resistance	Withstand voltage
0.3A 4V DC	70 mΩ max.	100 MΩ min. 500 V DC	500 V AC for 1 min.

Mechanical & Solderability Performance

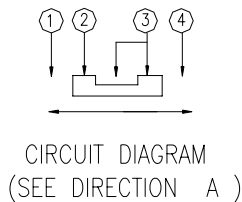
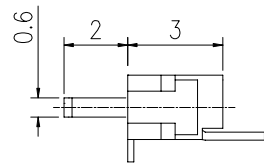
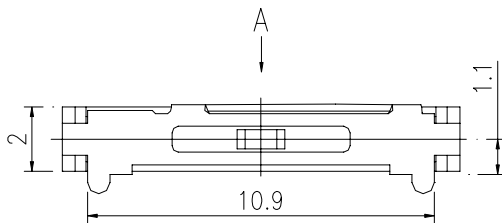
Operating force	Terminal Strength	Actuator Strength	Solderability	Resistance to soldering heat
				Reflow soldering
b-a b-c 160gf ± 50gf	0.3 kgf for 15 seconds	1.0 kgf for 15 seconds	245 ± 5 °C	240°C , 10 seconds

Endurance, Environmental Performance

Operating life with load (load: as ratings)	Cold	Dry heat	Damp heat
10,000cycles , 100 mΩ max.	-25 °C for 48 hrs	70°C for 48 hrs	40 °C , 90 to 95% RH for 96 hrs



Carrier taping available



Push Slide Switch

Characteristics

Series	Circuit	Timing	Travel	Operating temperature range	Soldering
HPSB-13D18	1P3T	Non-shorting	2.0mm	-40 °C to 85 °C	Reflow ; Manual

Electrical Performance

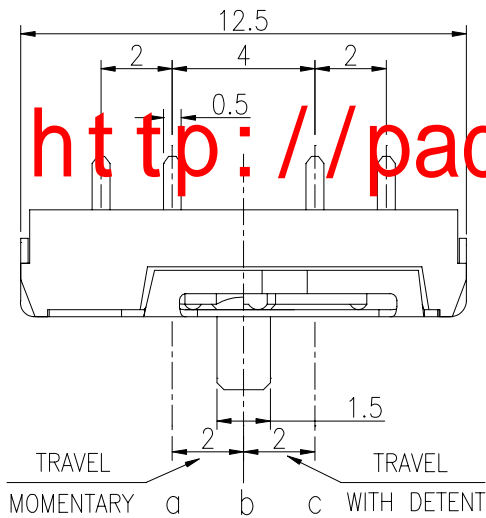
Rating (max.)	Contact resistance	Insulation resistance	Withstand voltage
As shown below	70 mΩ max.	100 MΩ min. 500 V DC	500 V AC for 1 min.

Mechanical & Solderability Performance

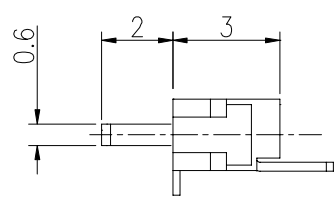
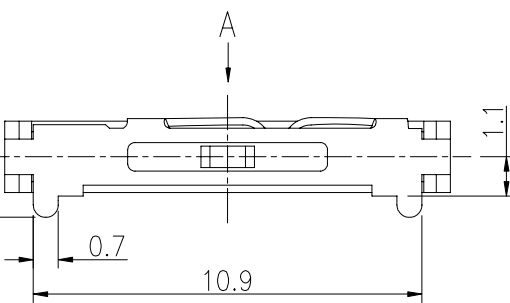
Operating force	Terminal Strength	Actuator Strength	Solderability	Resistance to soldering heat	
				Reflow soldering	Manual soldering
As shown below	3 N for 1 min	10 N for 15 seconds	245 ± 5 °C	230°C , 1 min	300°C , 3 seconds

Endurance, Environmental Performance

Operating life without load	Operating life with load (load: as ratings)	Cold	Dry heat	Damp heat
10,000cycles , 100 mΩ max.	10,000 cycles , 130 mΩ max.	-4 °C for 500 hrs	85°C for 500 hrs	60 °C , 90 to 95% RH for 500 hrs



Carrier taping available

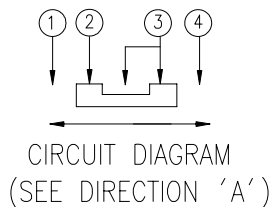


Rating:

- Max rating 4 V DC 0.3 A (Resistive load)
- Max rating 12 V DC 0.1 A (Resistive load)
- Min rating 1 V DC 10 μA (Resistive load)

Operating force:

- b-c : 2.25±1N
- c-b : 1.75±1N
- b-a : 2^{+0.5} N



Push Slide Switch

Characteristics

Series	Circuit	Timing	Travel	Operating temperature range	Soldering
HPSC-13D23	1P3T	Non-shorting	2.0mm	-40 °C to 85 °C	Reflow ; Manual

Electrical Performance

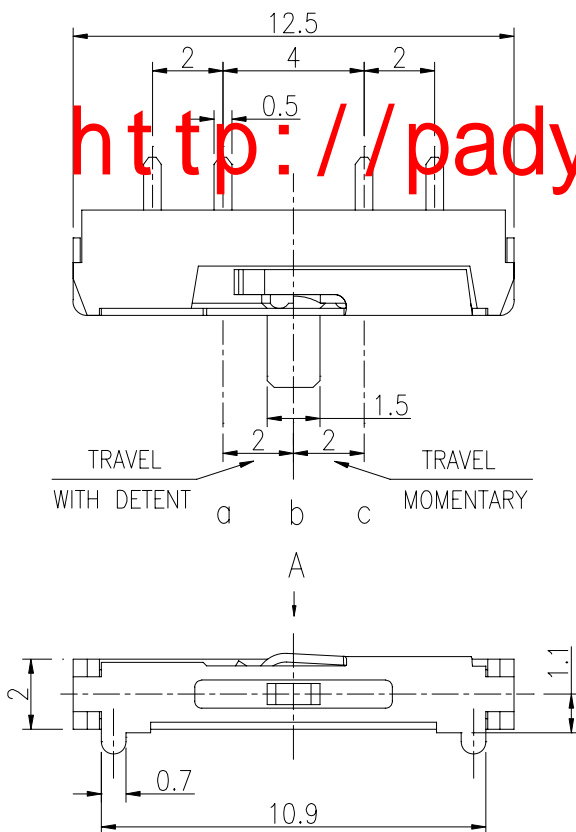
Rating (max.)	Contact resistance	Insulation resistance	Withstand voltage
As shown below	70 mΩ max.	100 MΩ min. 500 V DC	500 V AC for 1 min.

Mechanical & Solderability Performance

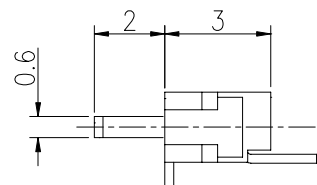
Operating force	Terminal Strength	Actuator Strength	Solderability	Resistance to soldering heat	
				Reflow soldering	Manual soldering
As shown below	3 N for 1 min	10 N for 15 seconds	245 ± 5 °C	230°C , 1 min	300°C , 3 seconds

Endurance, Environmental Performance

Operating life without load	Operating life with load (load: as ratings)	Cold	Dry heat	Damp heat
10,000cycles , 100 mΩ max.	10,000 cycles , 130 mΩ max.	-4 °C for 500 hrs	85°C for 500 hrs	60 °C , 90 to 95% RH for 500 hrs



Carrier taping available



Rating:

Max rating	4 V DC	0.3 A	(Resistive load)
Max rating	12 V DC	0.1 A	(Resistive load)
Min rating	1 V DC	10 μA	(Resistive load)

Operating force:

b-c	1.5 ^{+0.7} _{-0.5} N
a-b	1.6±0.7N
b-a	2.2±0.7N

